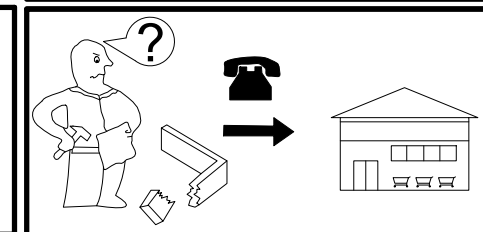
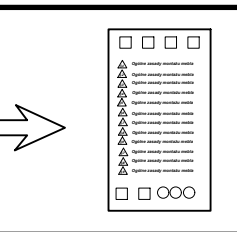
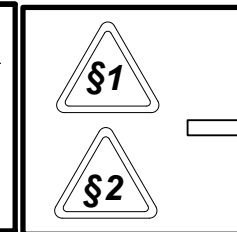
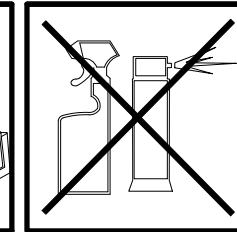
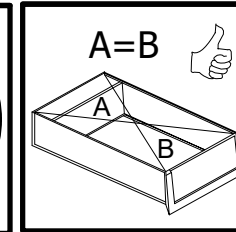
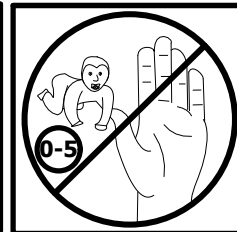
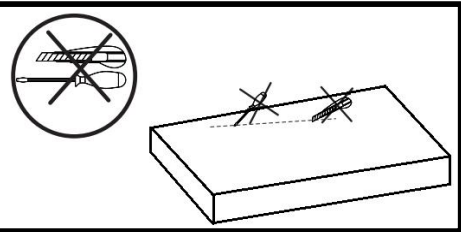
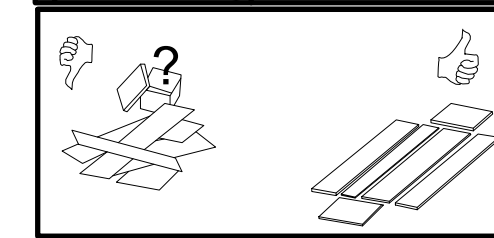
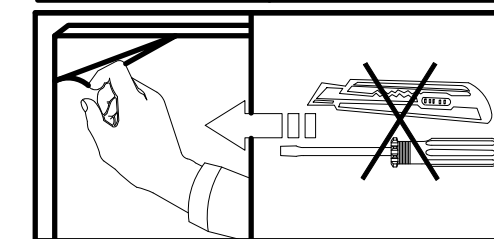
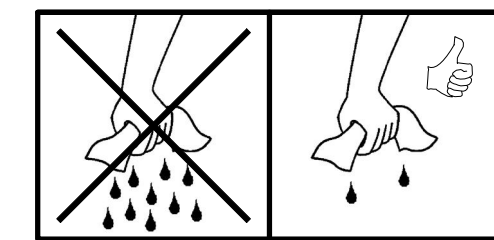
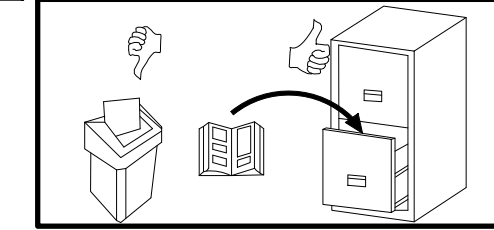
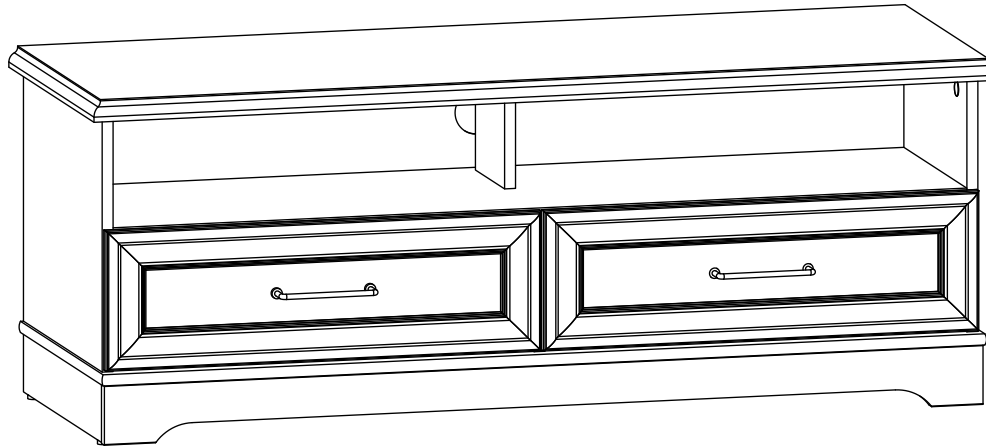
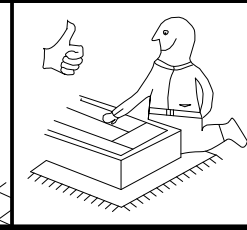
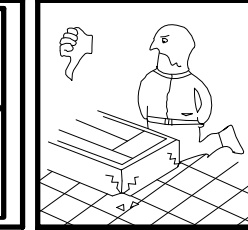
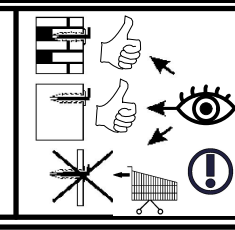
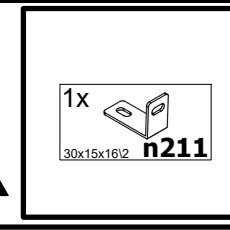
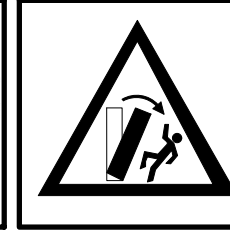
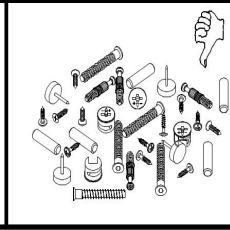
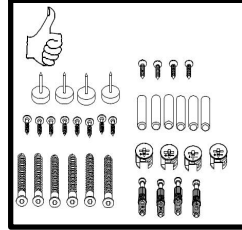
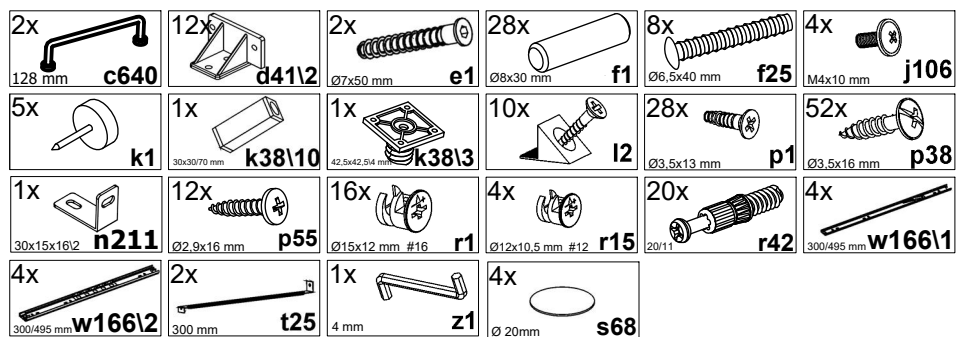
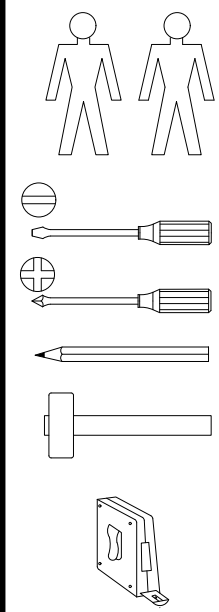
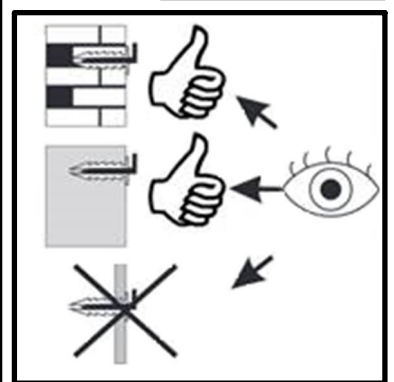
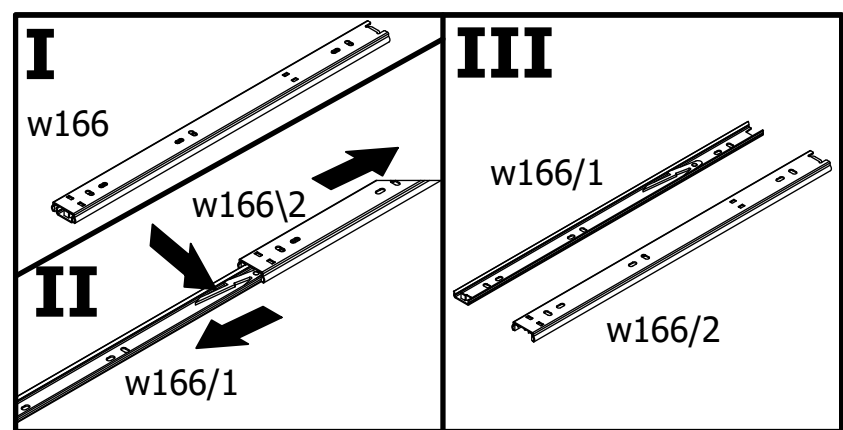
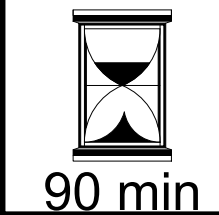
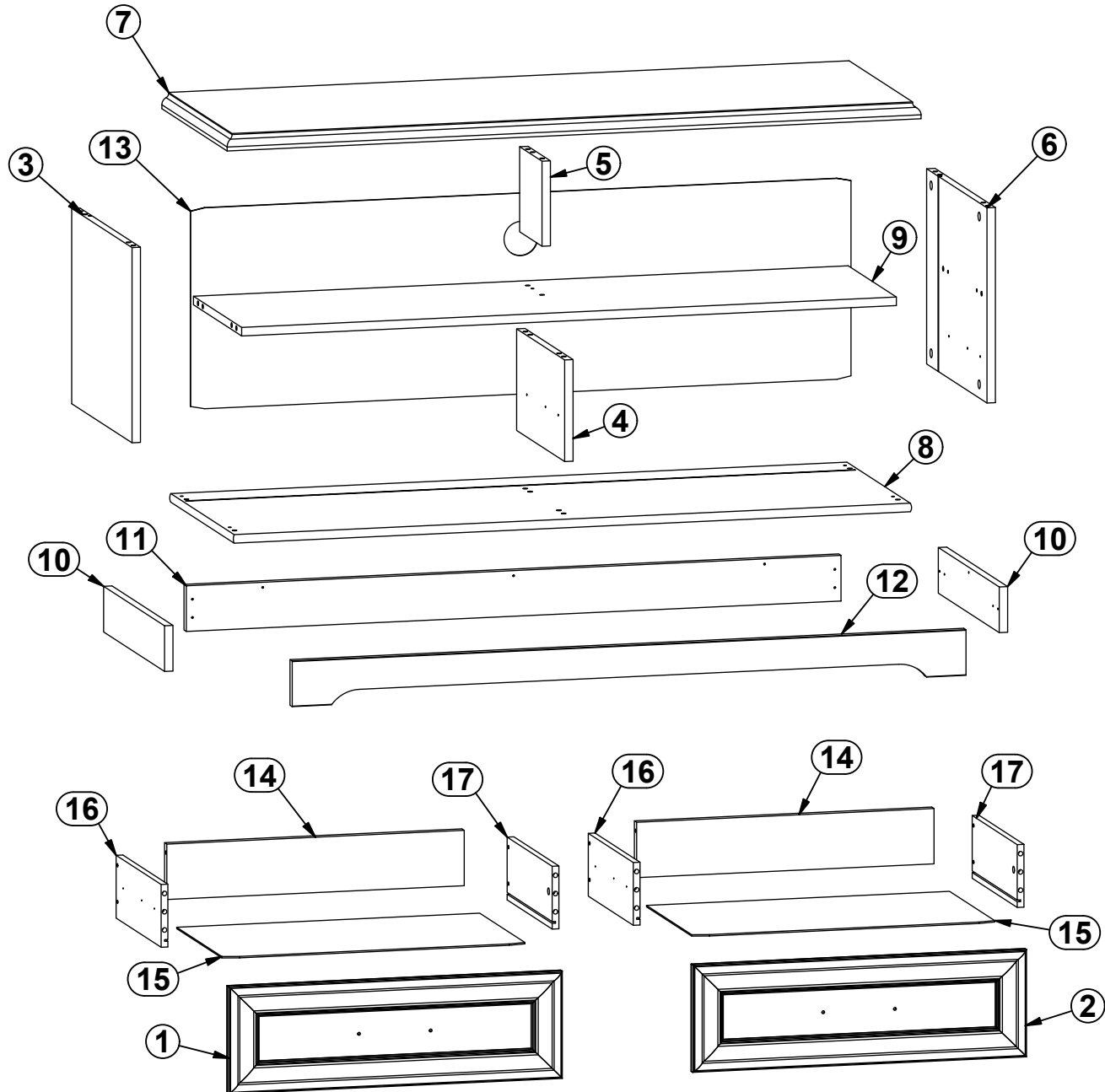


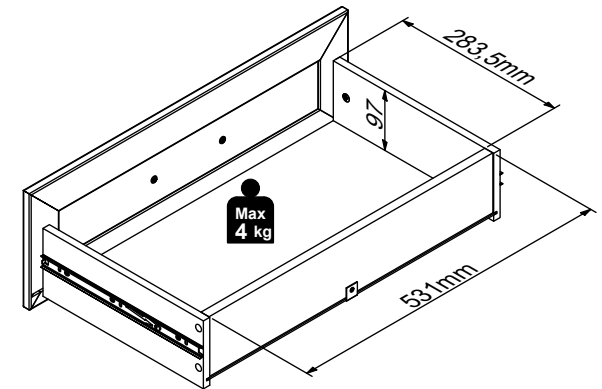
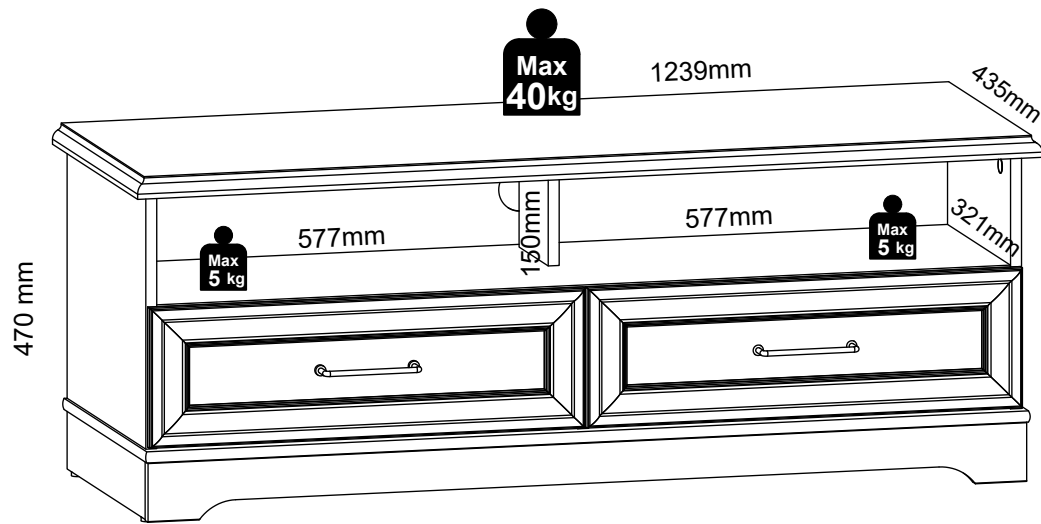
**A****S641-RTV2S****ANGA**








A	B1	B2	C1	C2	C3	D
1	S641-0011	-	596	188	19	1/2
2	S641-0012	-	596	188	19	1/2
3	S641-1023	-	342	402	15	1/2
4	S641-1024	-	178	320	15	1/2
5	S641-1025	-	149	149	15	1/2
6	S641-1026	-	342	402	15	1/2
7	S641-2016	-	1239	435	28	2/2
8	S641-2017	-	1211	424	15	2/2
9	S641-3012	-	1169	321	15	2/2
10	S641-4017	-	406	80	15	1/2
11	S641-4022	-	1169	80	15	2/2
12	S641-5016	-	1203	80	15	2/2
13	S641-9004	-	1179	352	2,5	2/2
14	STK-5023	-	531	97	15	1/2
15	WDF-9203	-	541	308	2,5	1/2
16	WSK2-5003	-5	300	110	12	1/2
17	WSK2-5004	-5	300	110	12	1/2

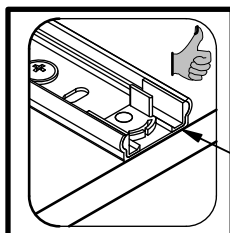
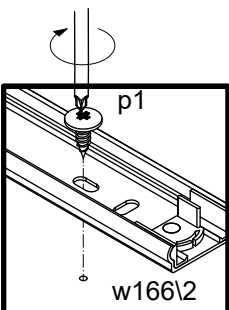
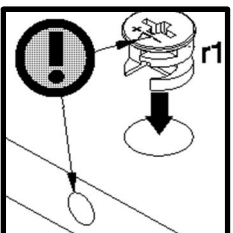
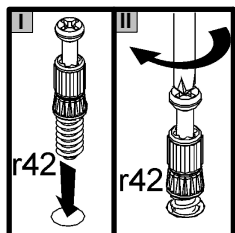
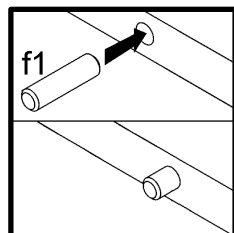
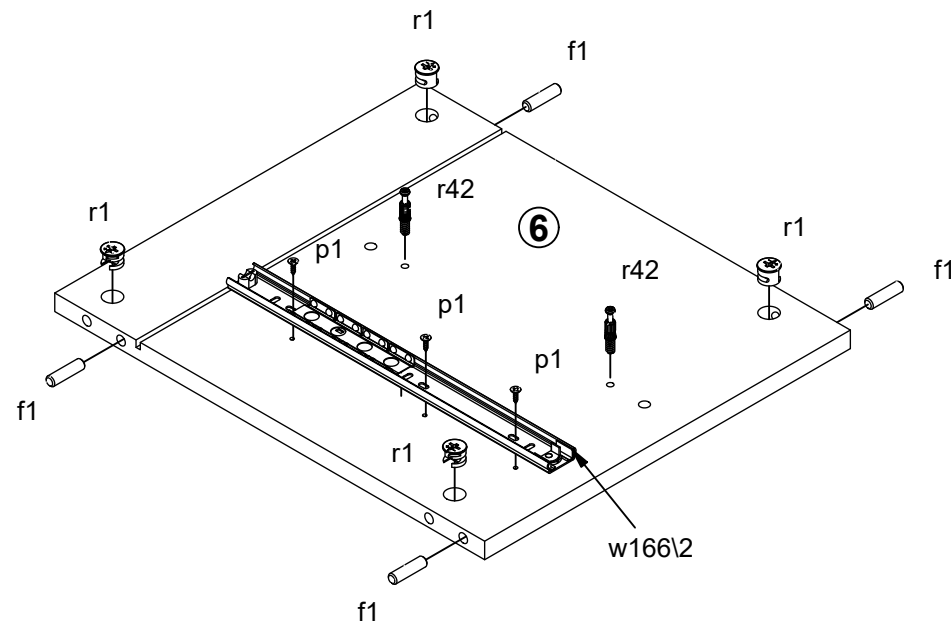
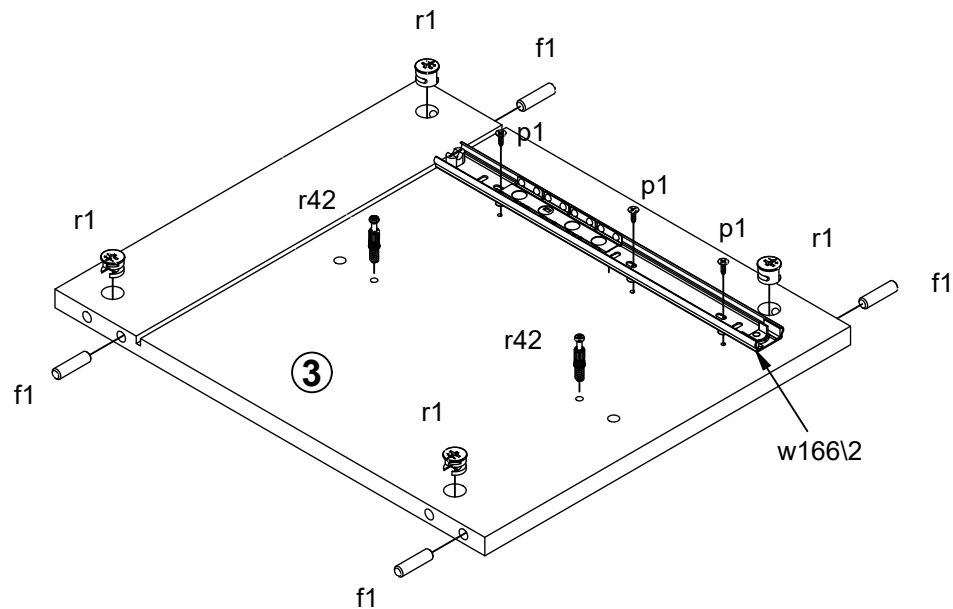






# 1

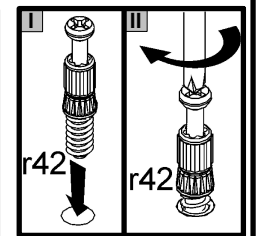
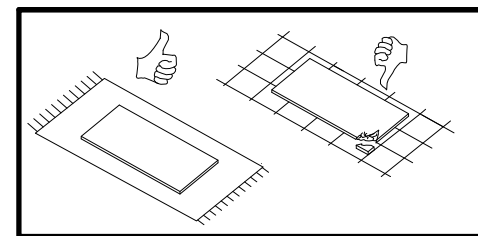
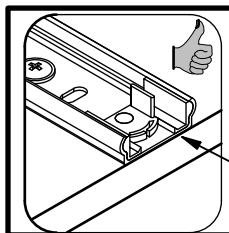
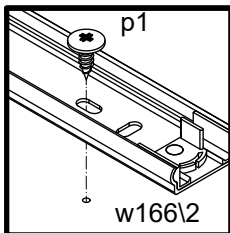
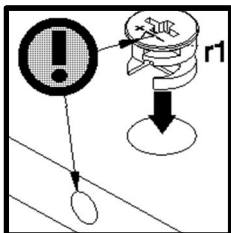
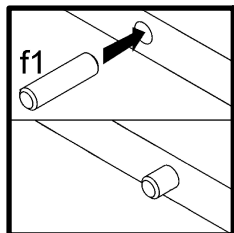
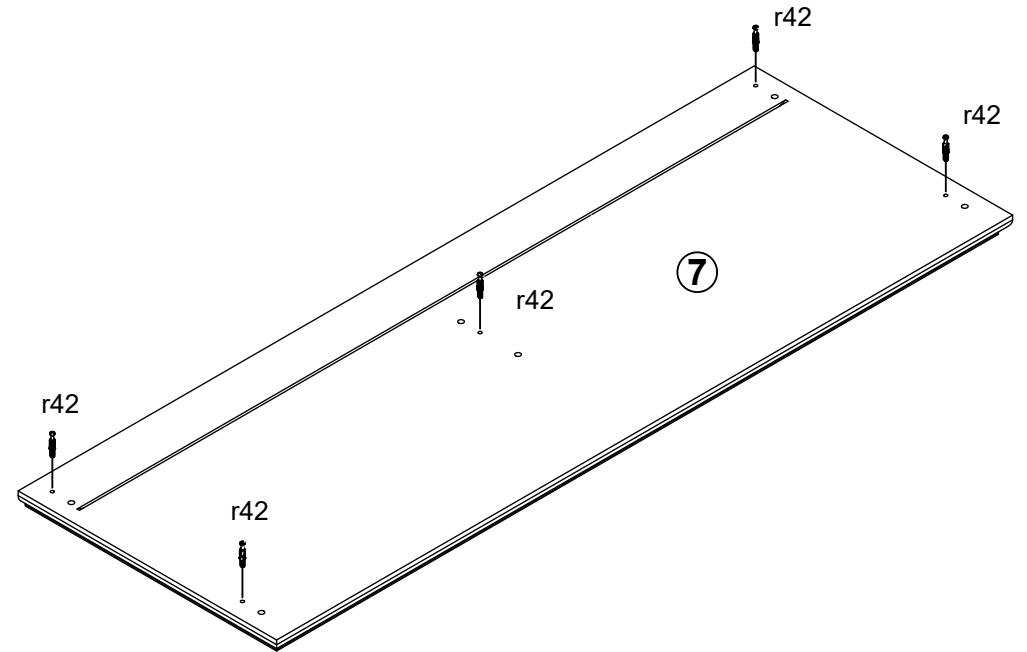
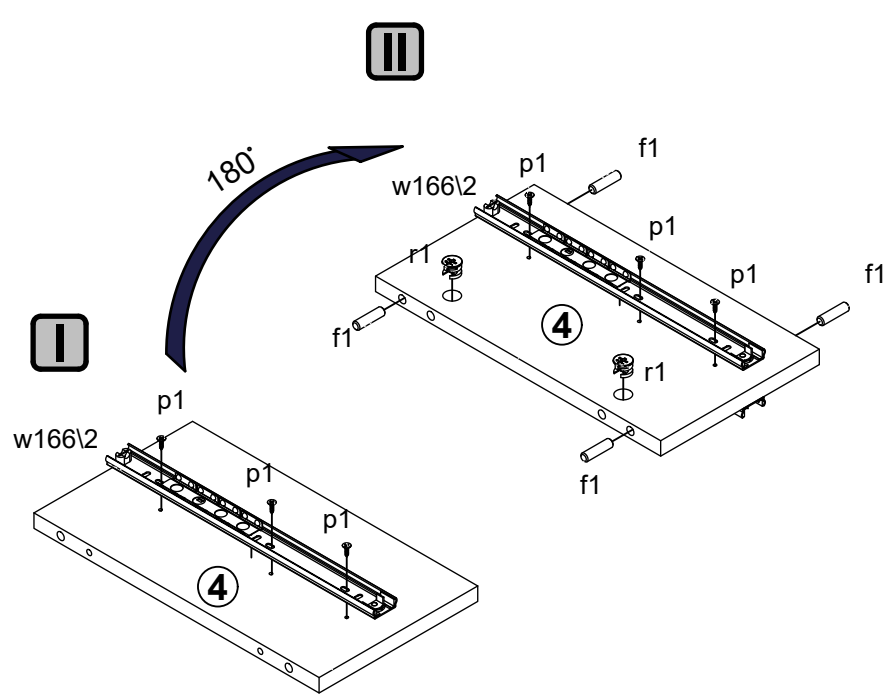
- 8x  f1  $\varnothing 8 \times 30$  mm
- 8x  r1  $\varnothing 15 \times 12$  mm #16
- 4x  r42 20/11
- 2x  w166\2 300/495 mm
- 6x  p1  $\varnothing 3,5 \times 13$  mm



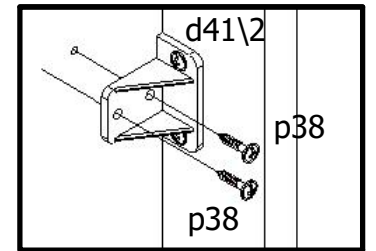
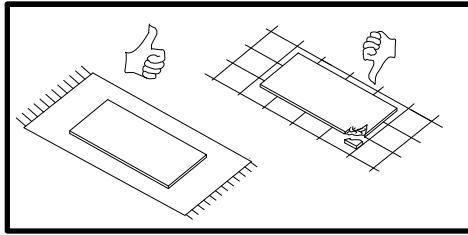
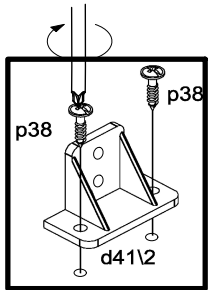
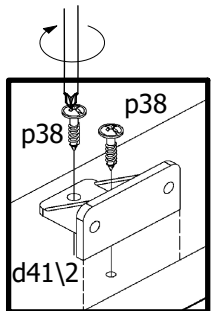
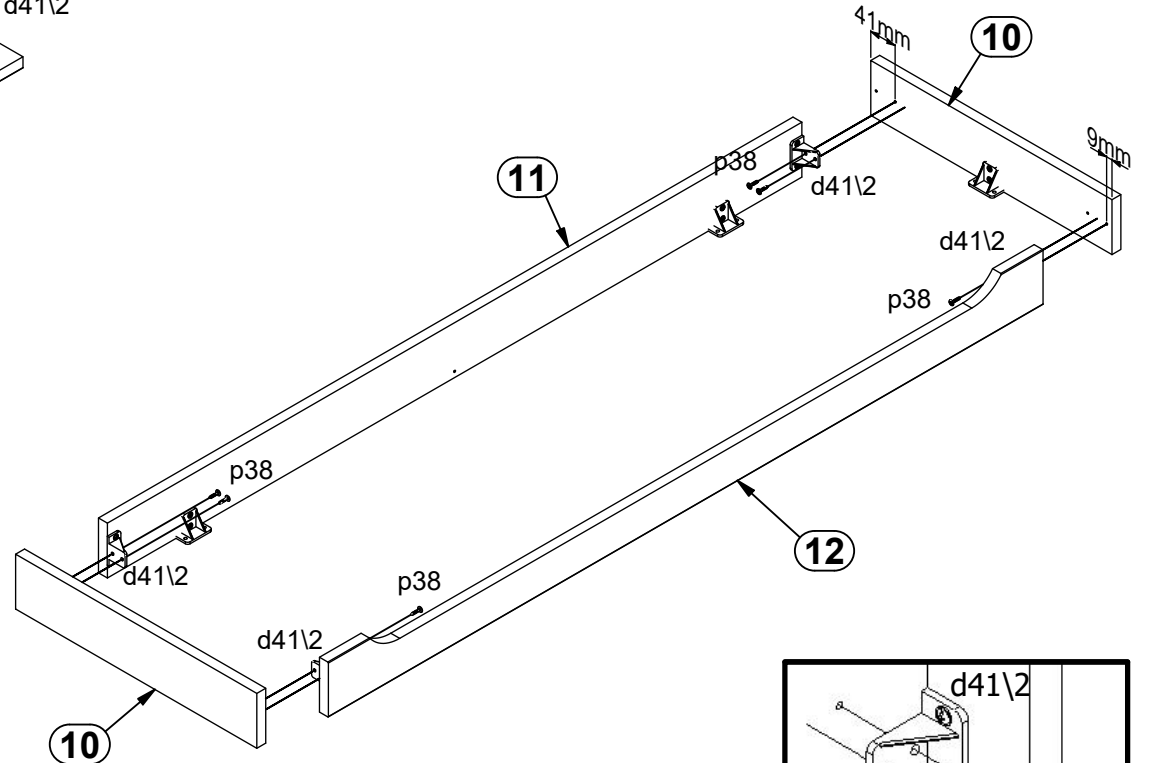
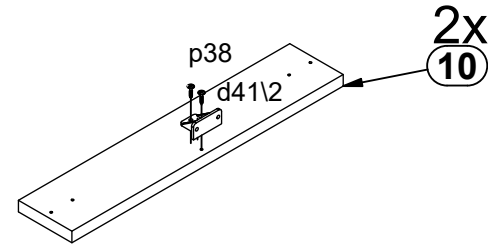
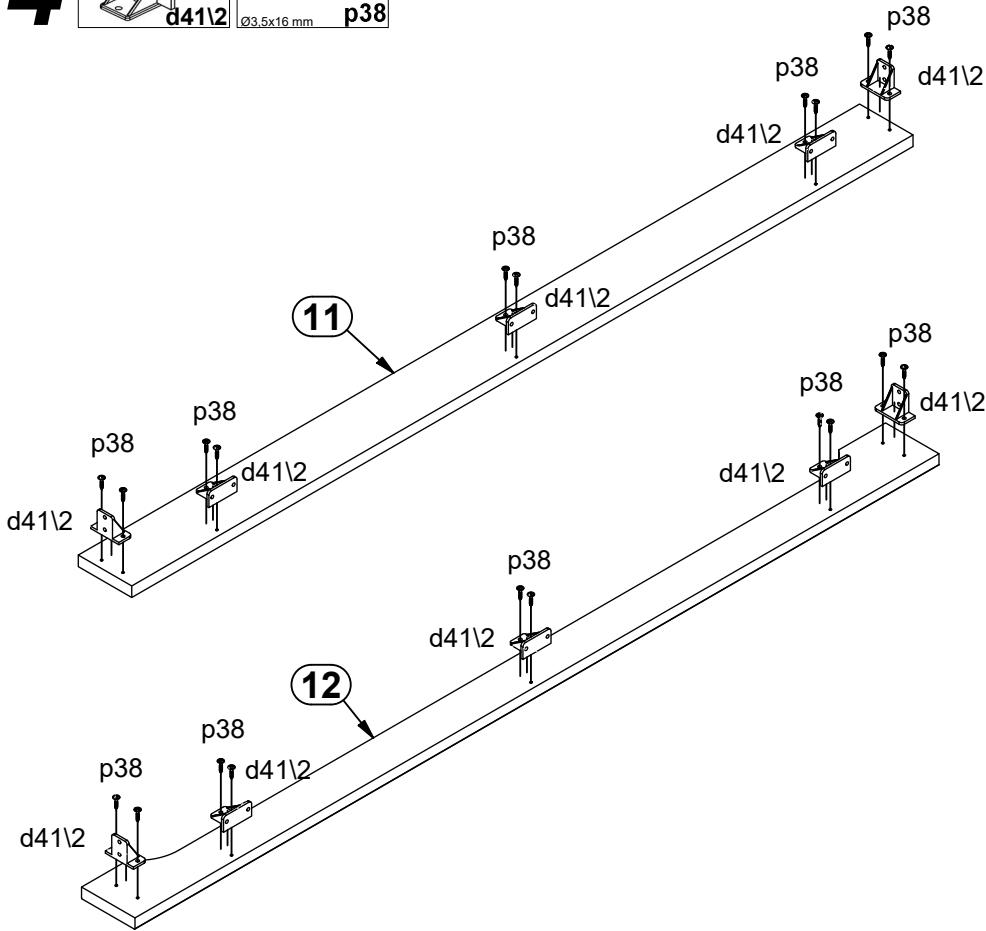



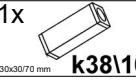
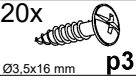
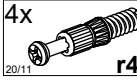
3

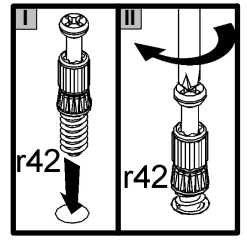
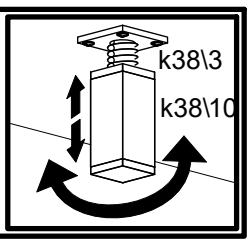
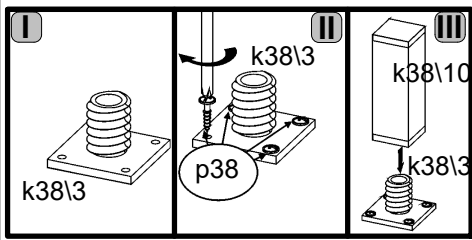
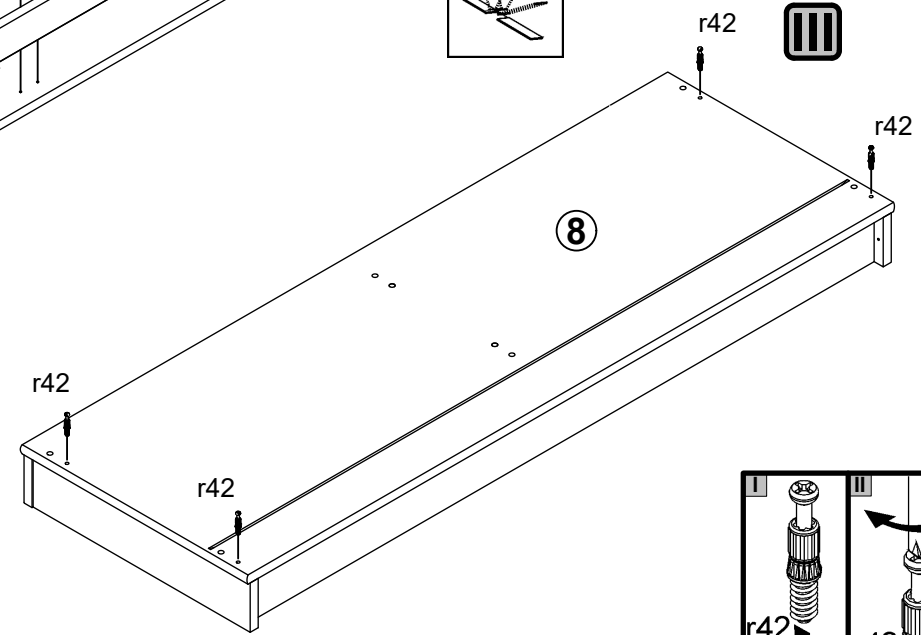
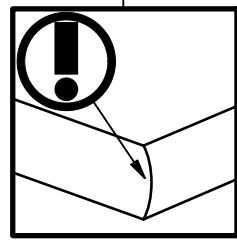
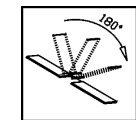
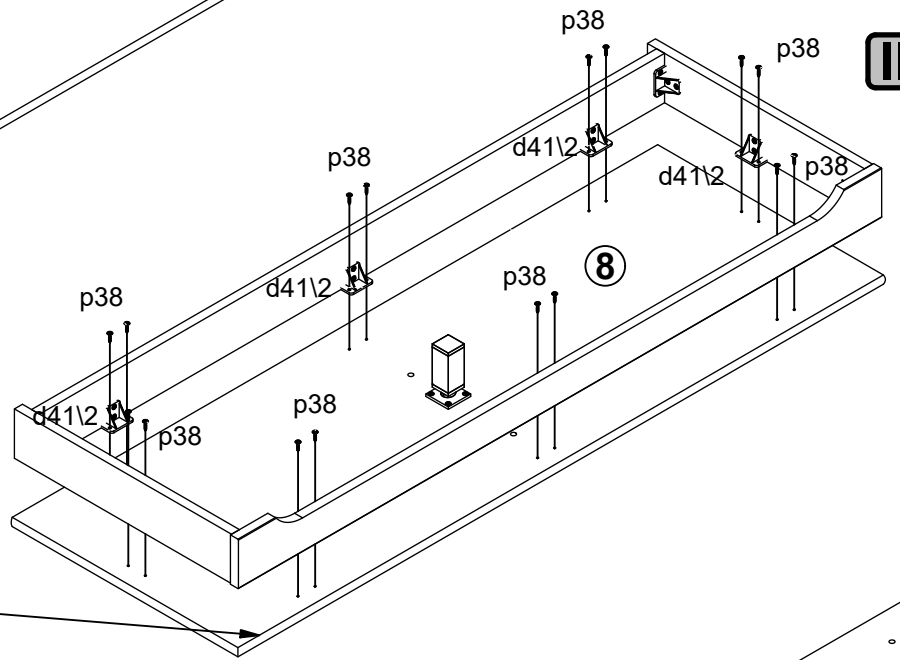
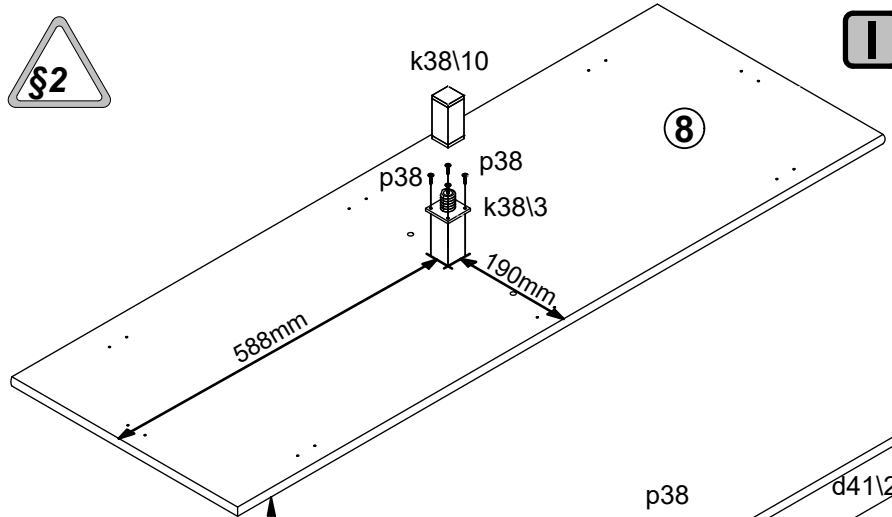
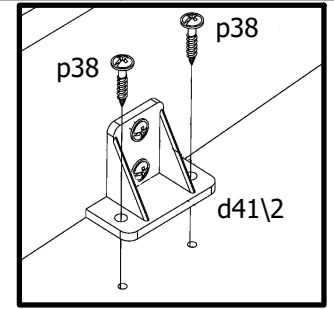
- 4x  $\varnothing 8 \times 30$  mm f1
- 2x  $\varnothing 15 \times 12$  mm #16 r1
- 2x 300mm w166\2
- 6x  $\varnothing 3.5 \times 13$  mm p1
- 5x 20/11 r42



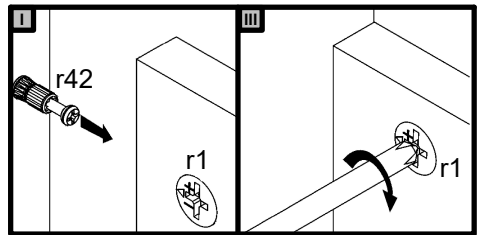
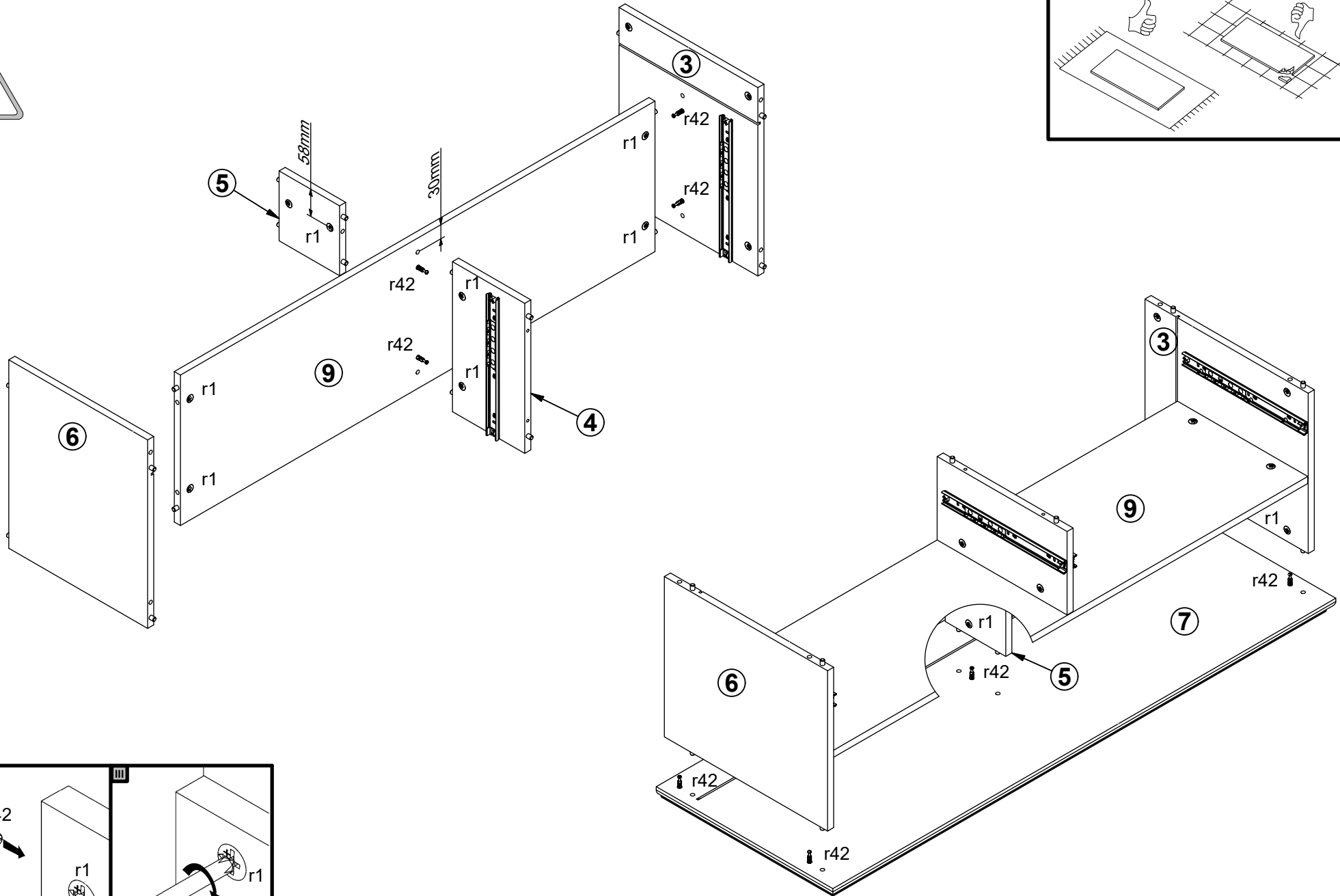
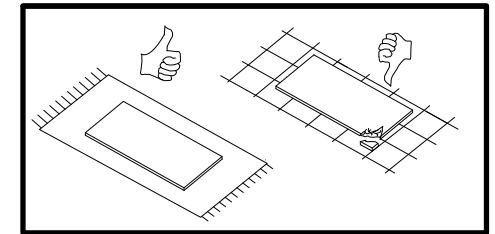
**4** 12x d41\2 32x Ø3,5x16 mm p38



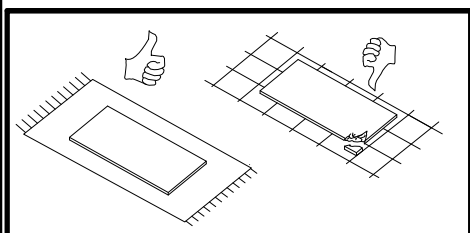
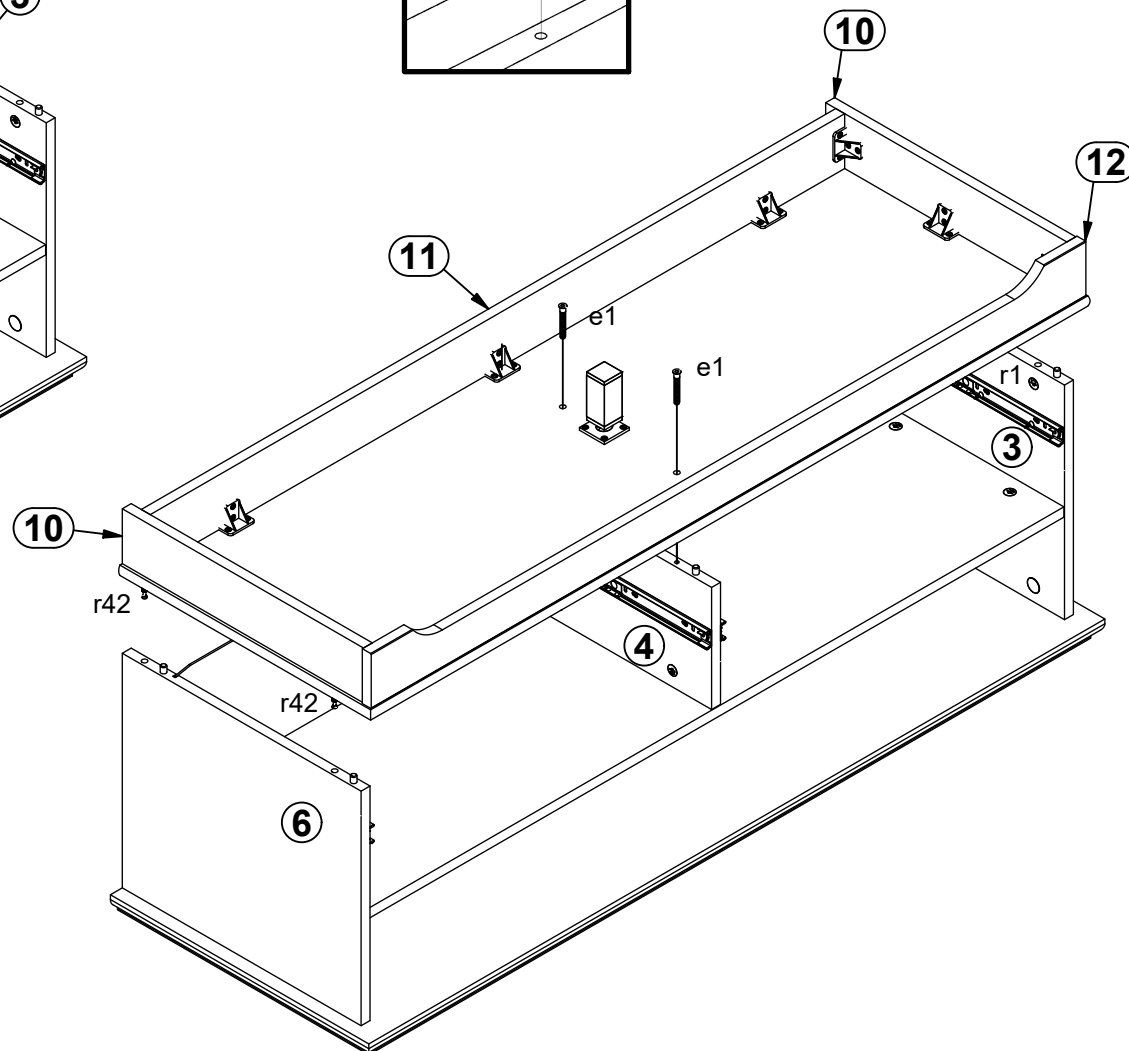
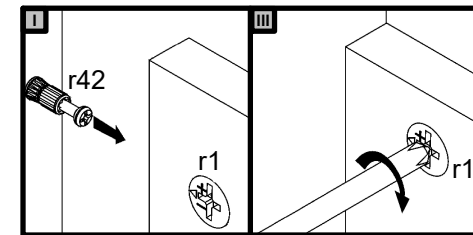
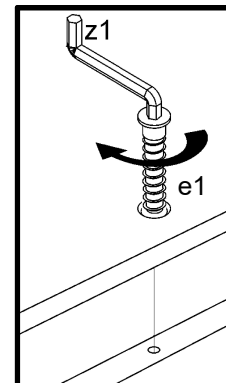
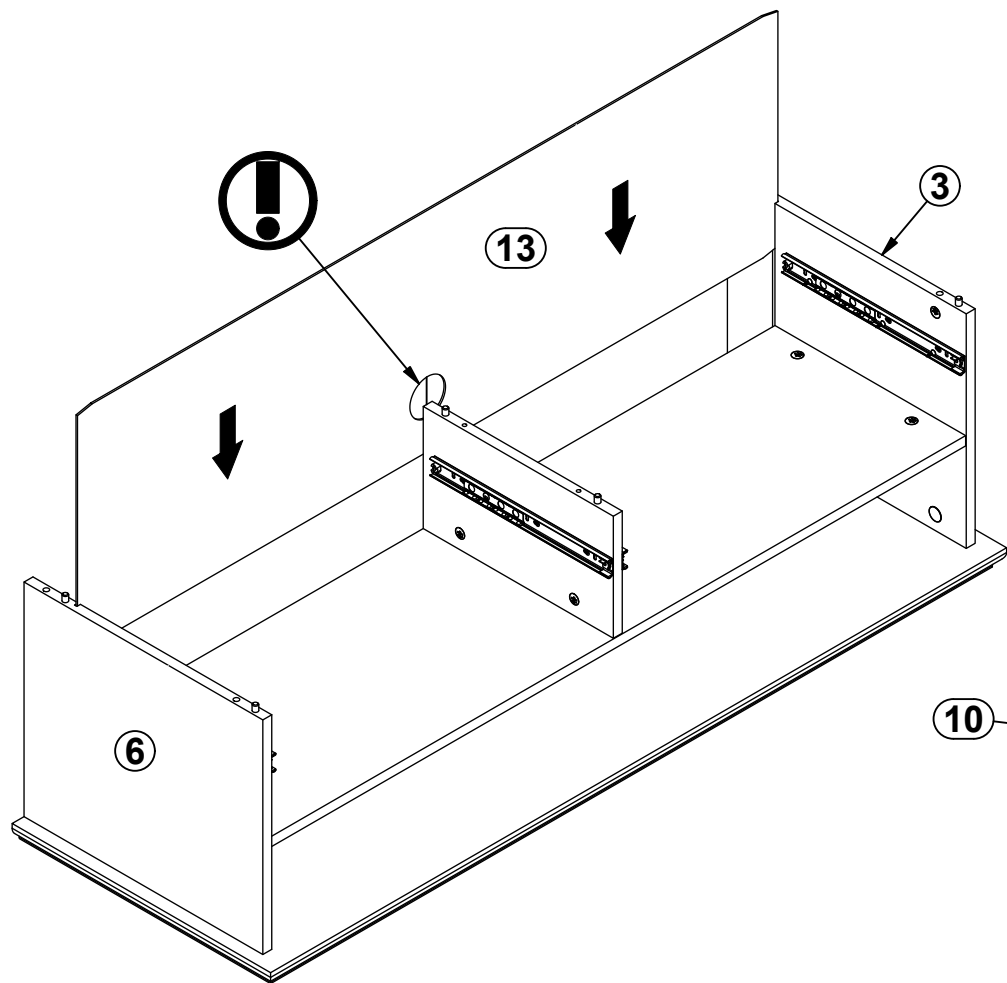
- 5 1x  k38\3
- 1x  k38\10
- 20x  p38
- 4x  r42



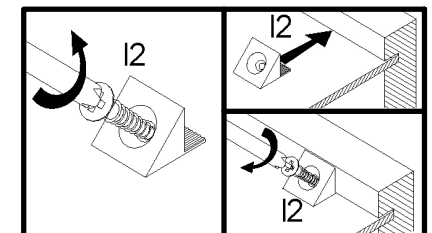
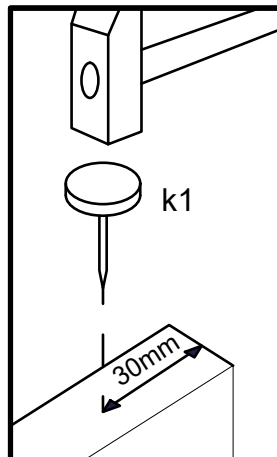
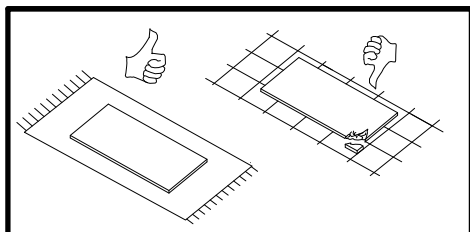
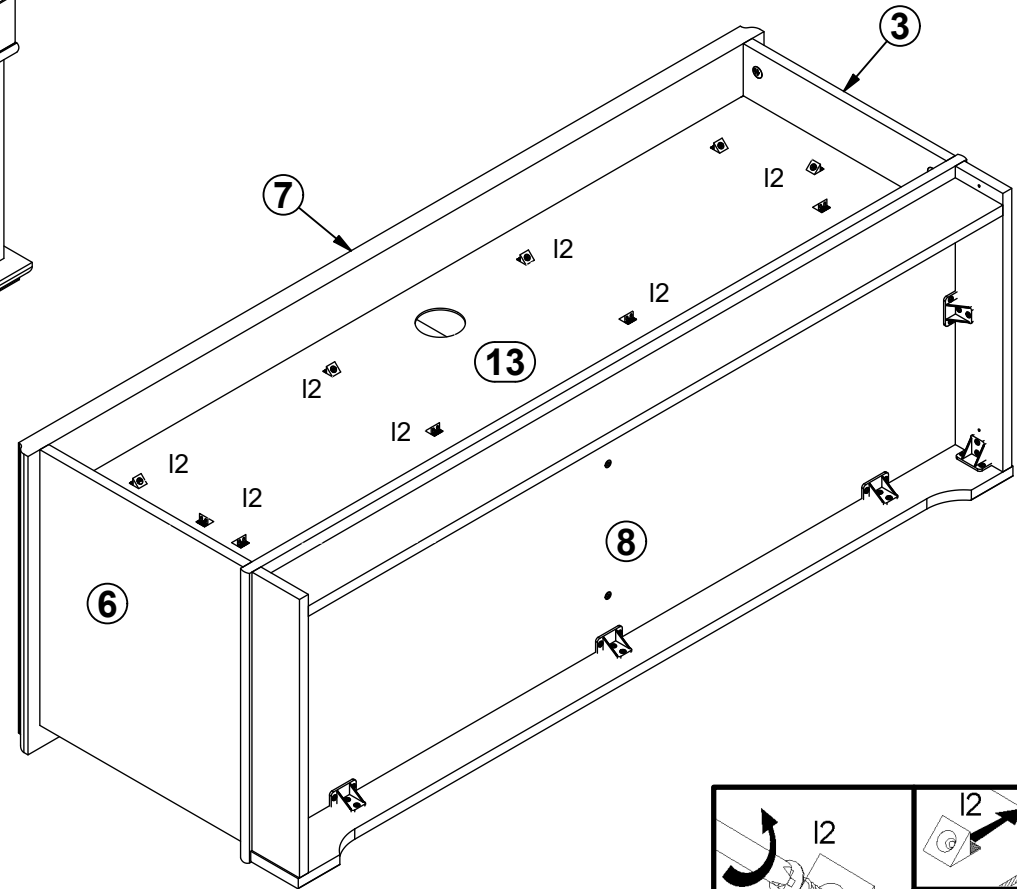
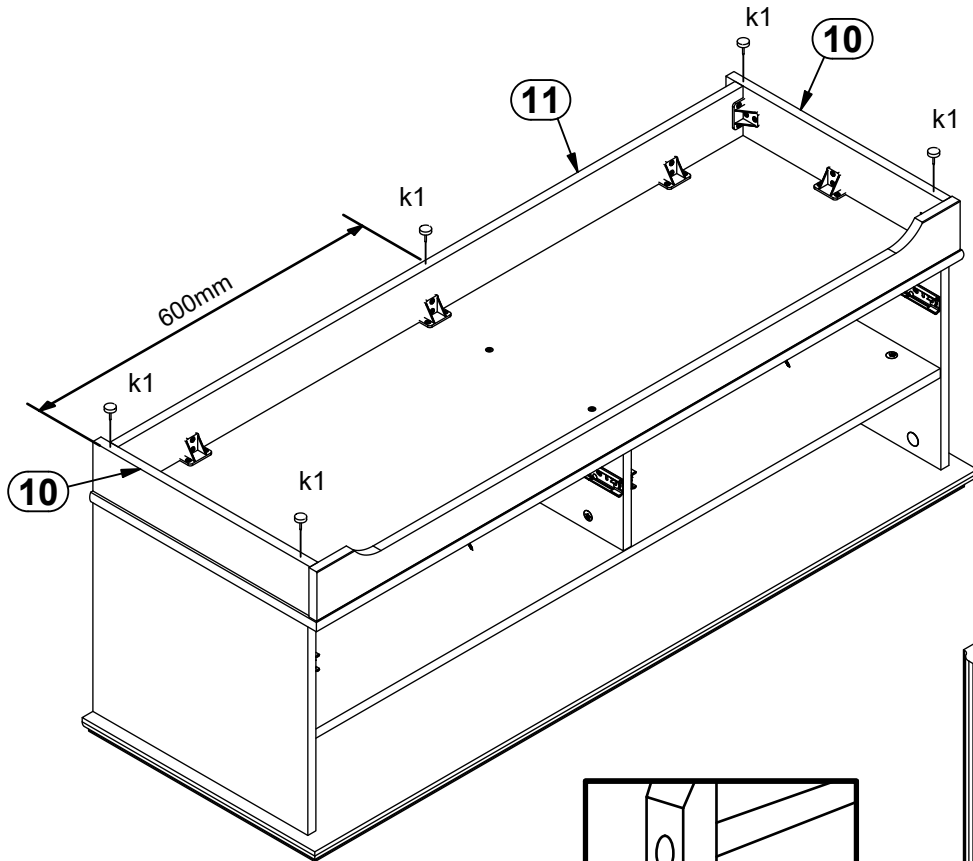
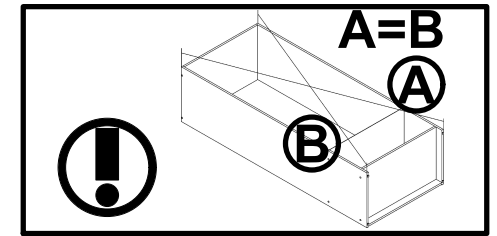
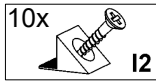
6



7  2x  Ø7x50 mm e1

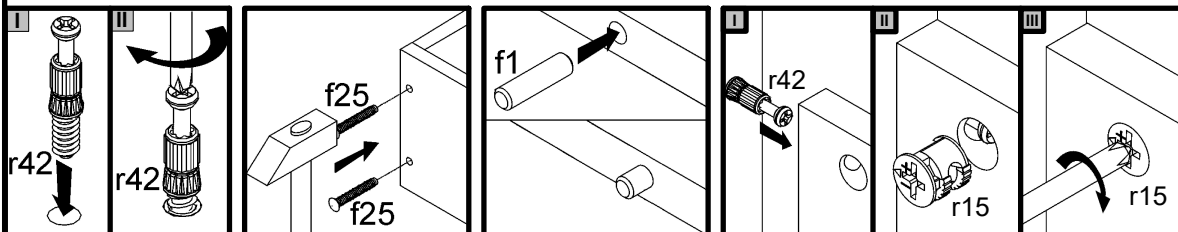
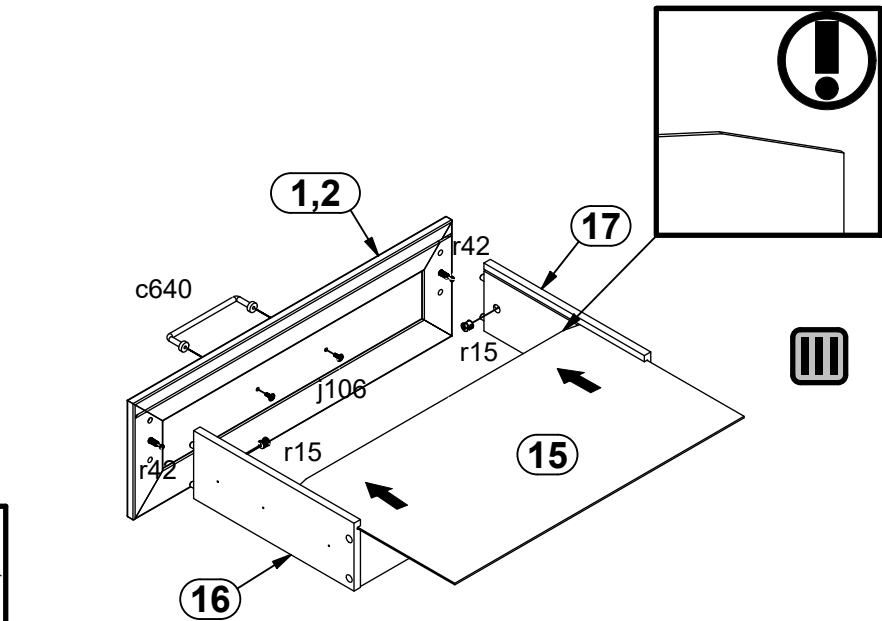
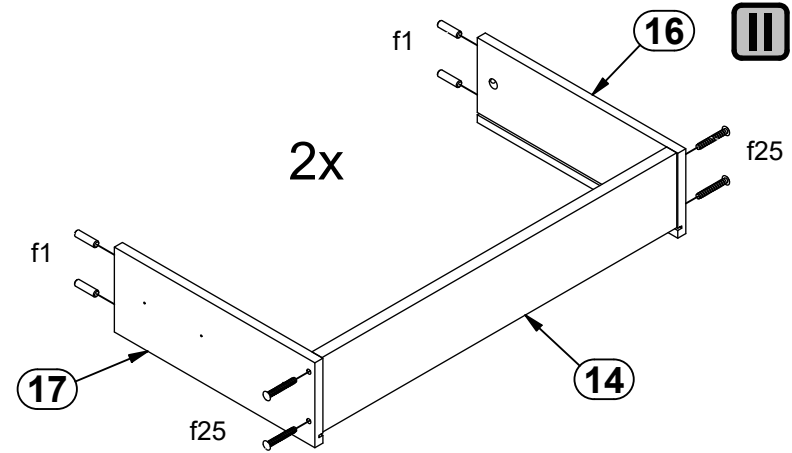
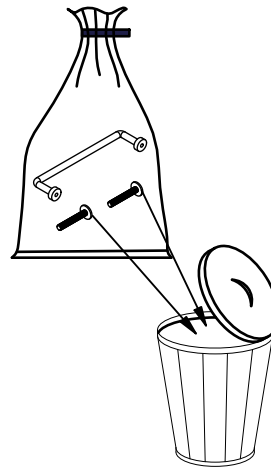
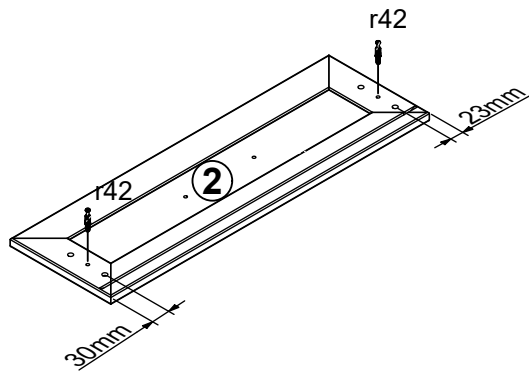
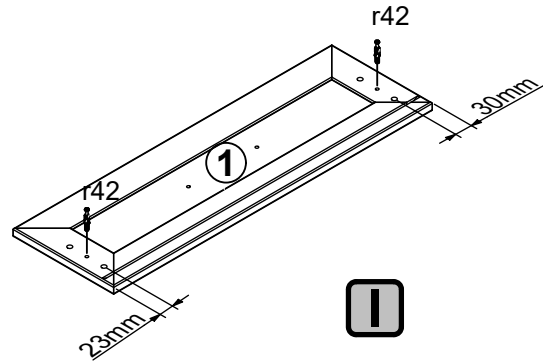


8



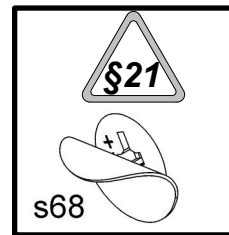
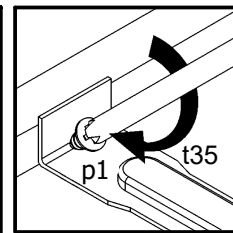
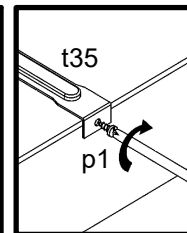
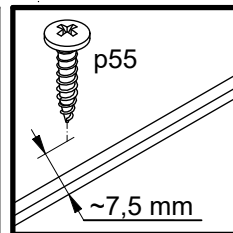
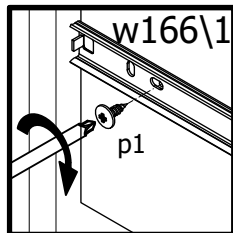
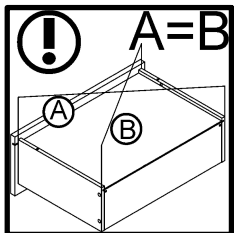
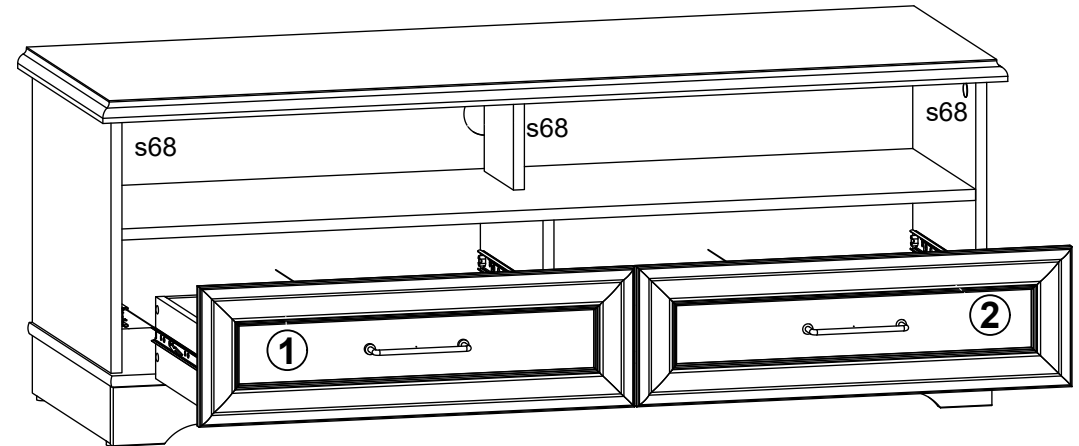
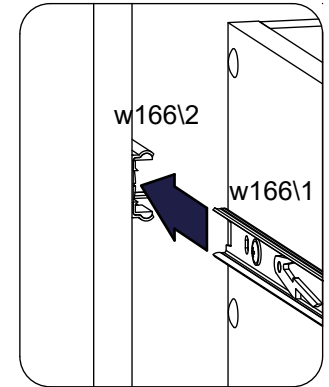
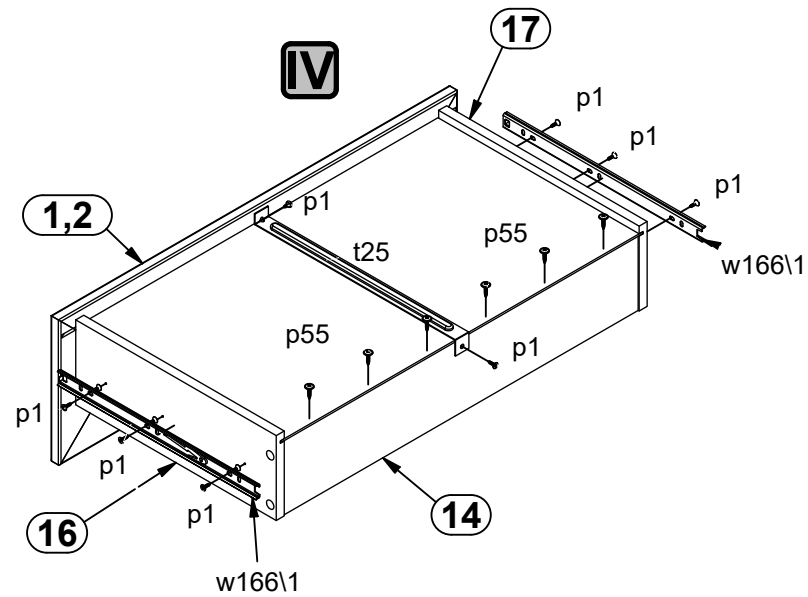
9

- 2x 128 mm c640
- 8x Ø8x30 mm f1
- 8x Ø6,5x40 mm f25
- 4x M4x10 mm j106
- 4x Ø12x10,5 mm #12 r15
- 4x 20/11 r42



10

- 16x Ø3,5x13 mm p1
- 12x Ø2,9x16 mm p55
- 2x 300 mm t25
- 2x 300/495 mm w166\1
- 4x Ø 20mm s68



# 11

