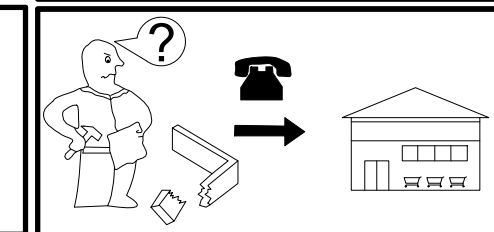
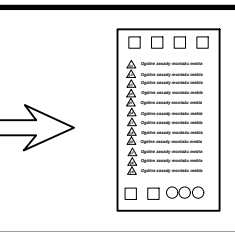
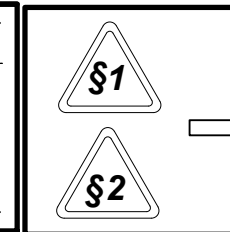
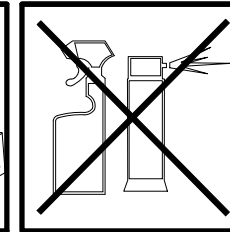
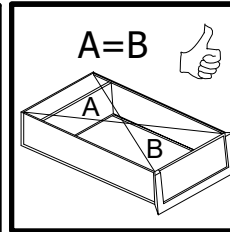
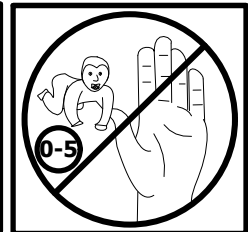
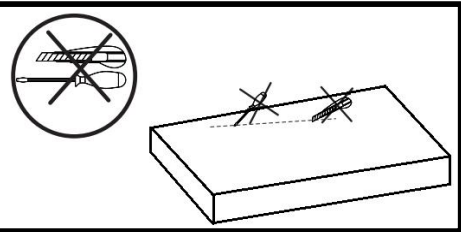
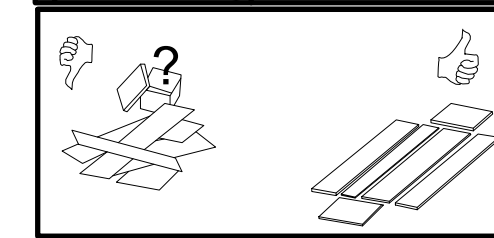
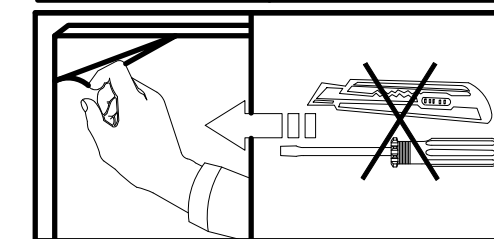
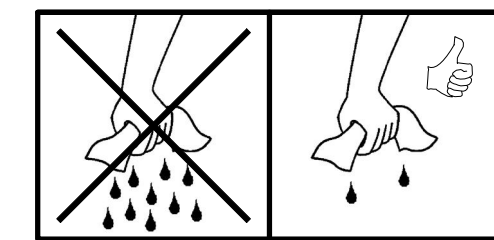
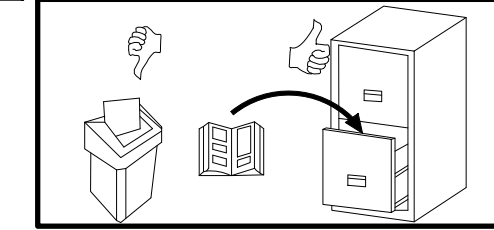
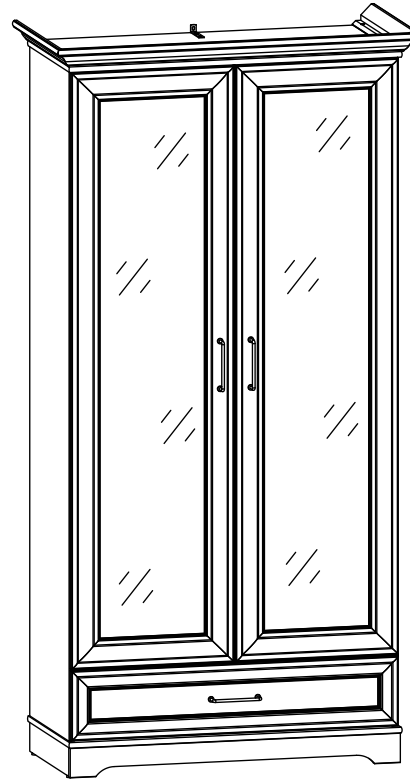
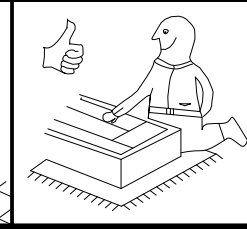
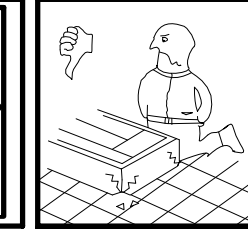
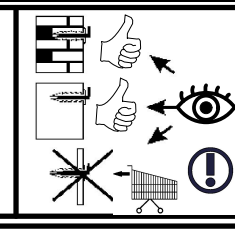
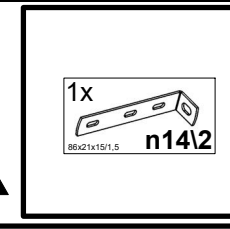
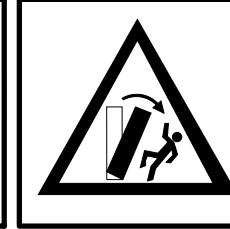
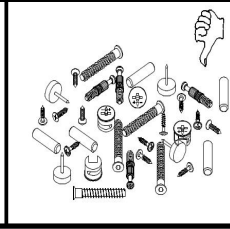
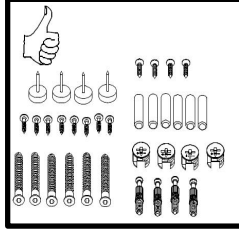
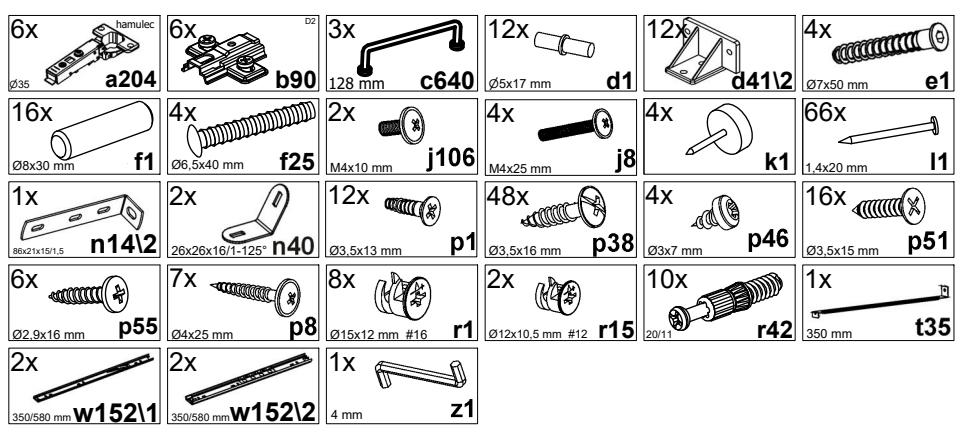
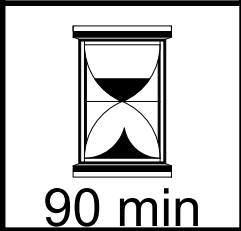
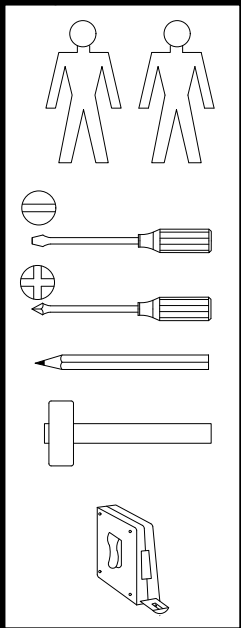
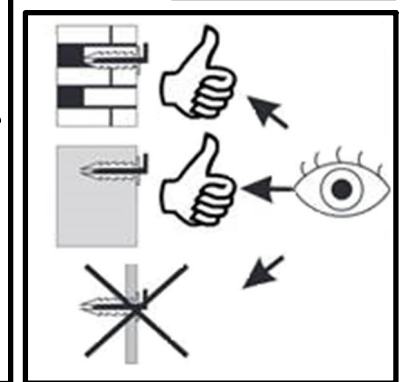
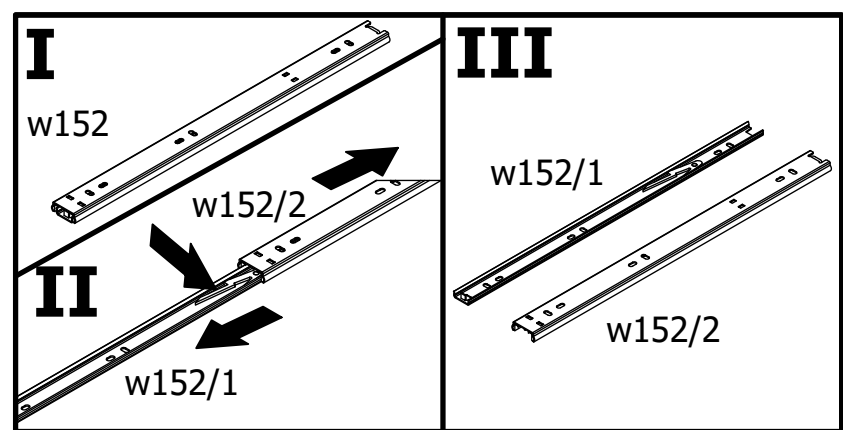
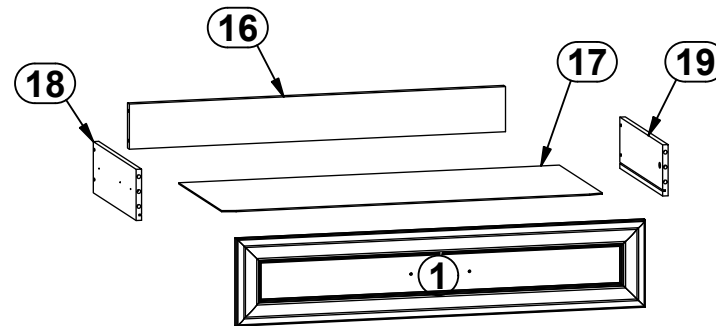
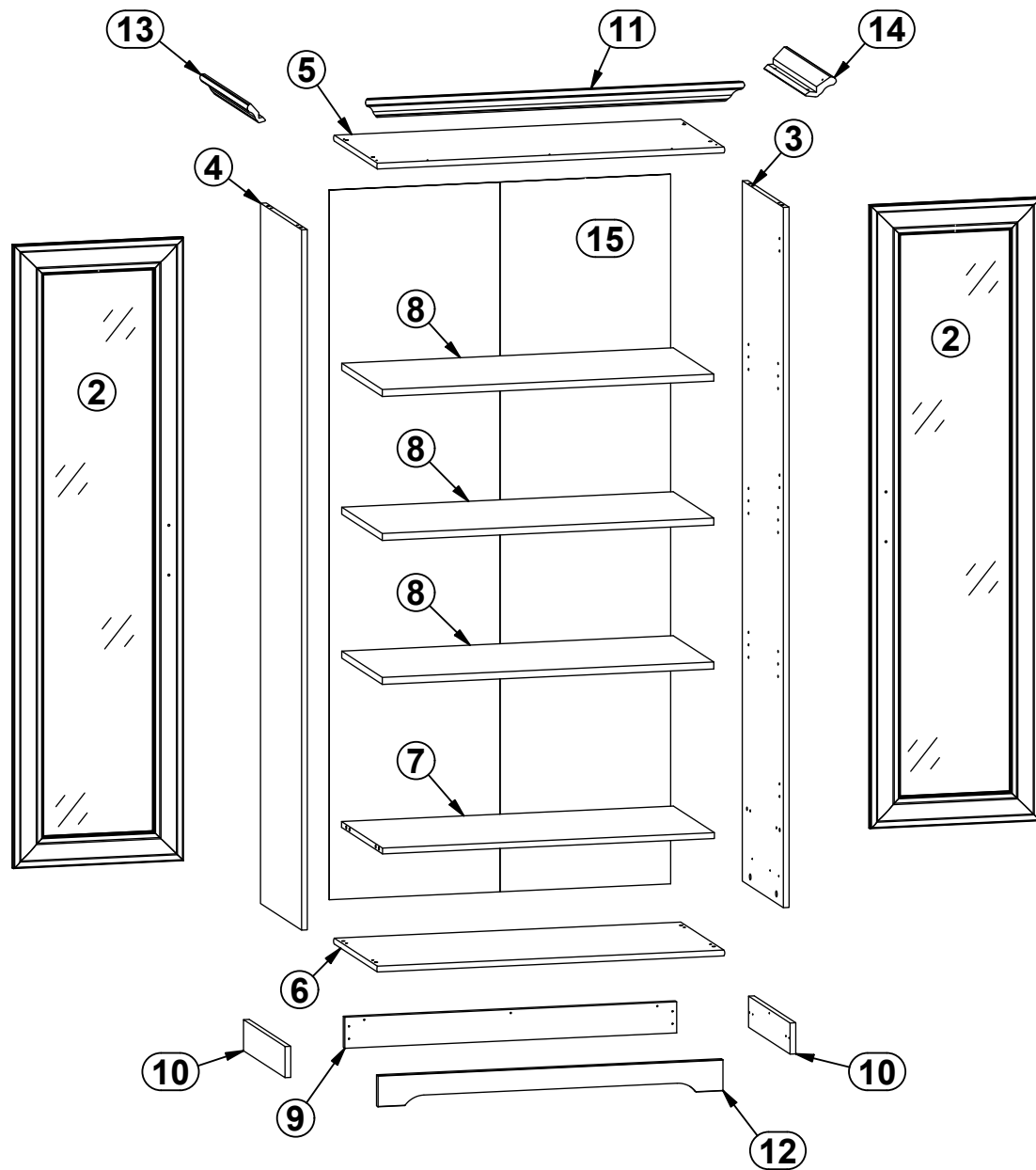


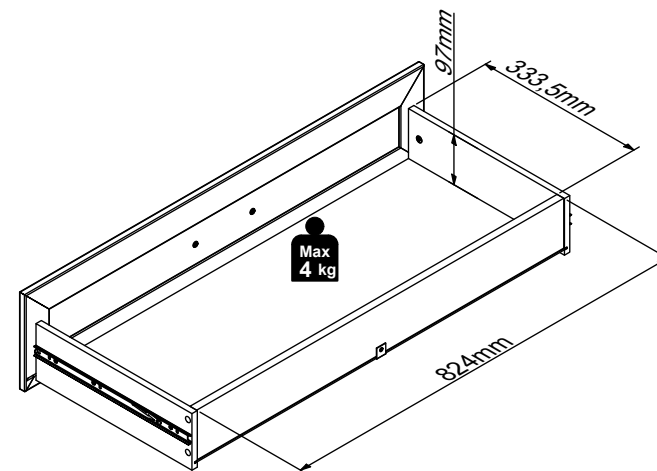
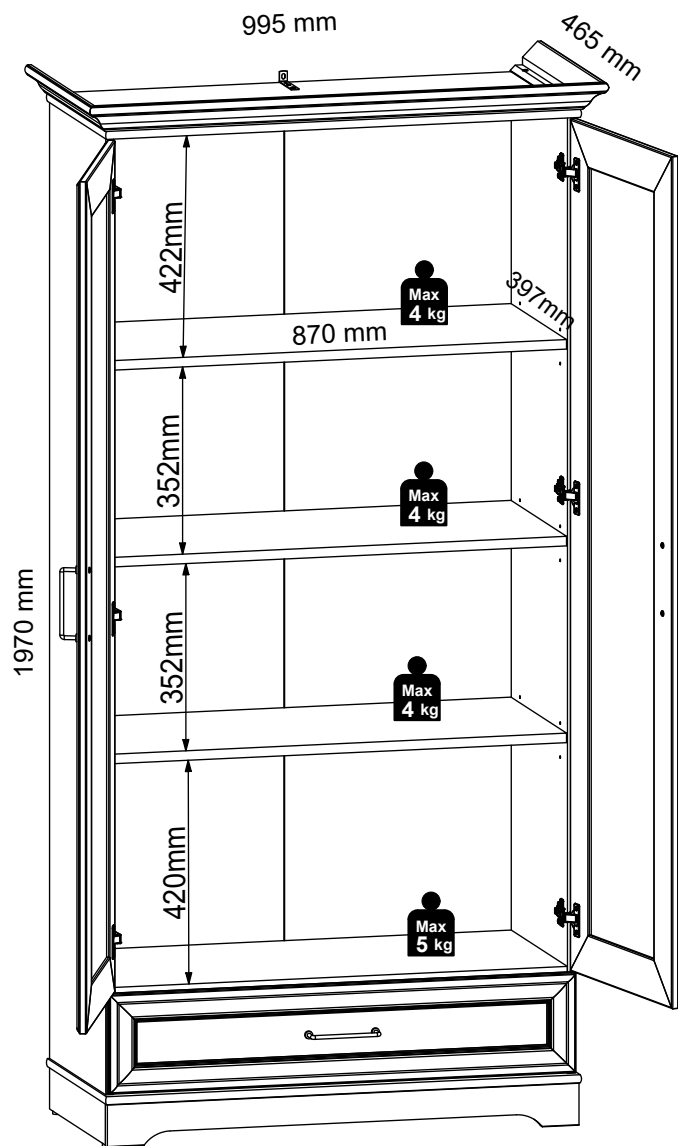
A**S641-REG2W1S****ANGA**

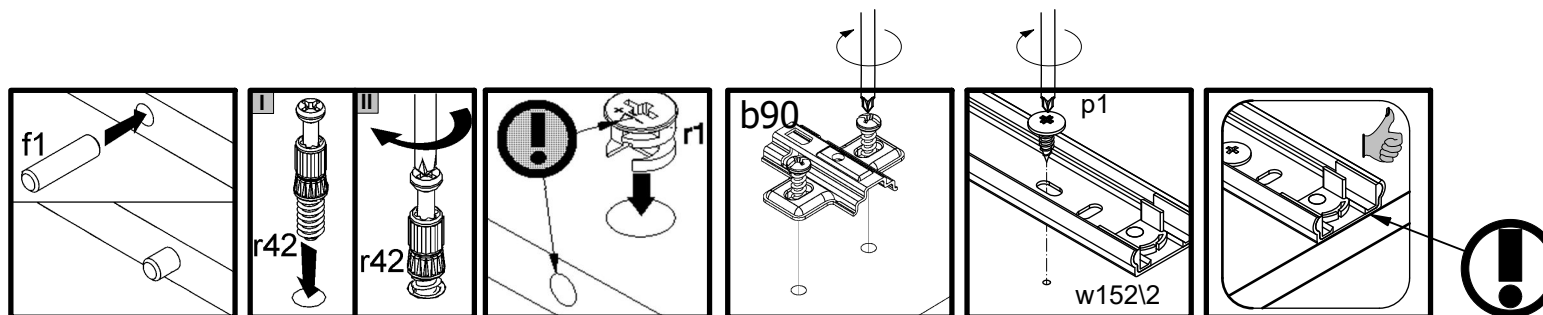
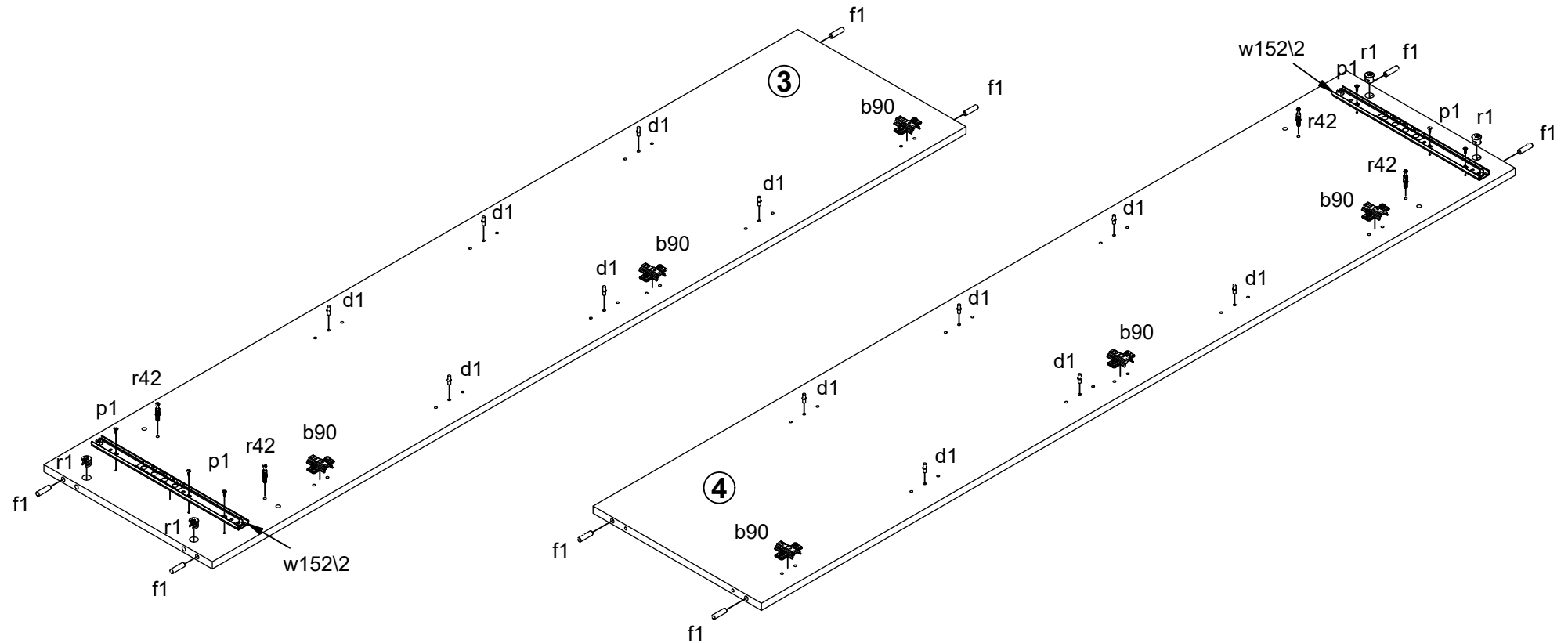
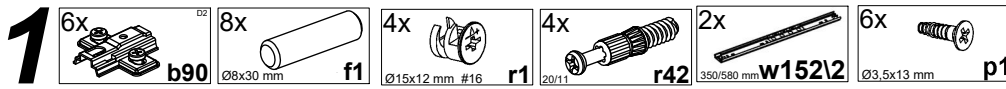


A	B1	B2	C1	C2	C3	D
1	S641-0002	-2	896	188	19	1/3
2	S641-0008	-	1602	446	19	3/3
3	S641-1019	-	1800	402	15	2/3
4	S641-1020	-	1800	402	15	2/3
5	S641-2012	-	912	424	15	1/3
6	S641-2013	-	912	424	15	1/3
7	S641-3008	-	870	401	15	1/3
8	S641-3009	-	869	397	18	2/3
9	S641-4016	-	870	80	15	1/3
10	S641-4017	-	406	80	15	1/3
11	S641-5009	-	994	80	19	1/3
12	S641-5010	-	904	80	15	1/3
13	S641-5012	-	465	80	19	1/3
14	S641-5013	-	465	80	19	1/3
15	S641-9310	-	1824	895	2,5	3/3
16	STK-5039	-1	824	97	15	1/3
17	WDF-9097	-1	834	358	2,5	1/3
18	WSK2-5005	-4	350	110	12	3/3
19	WSK2-5006	-4	350	110	12	3/3

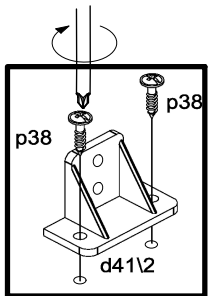
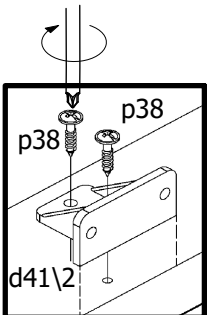
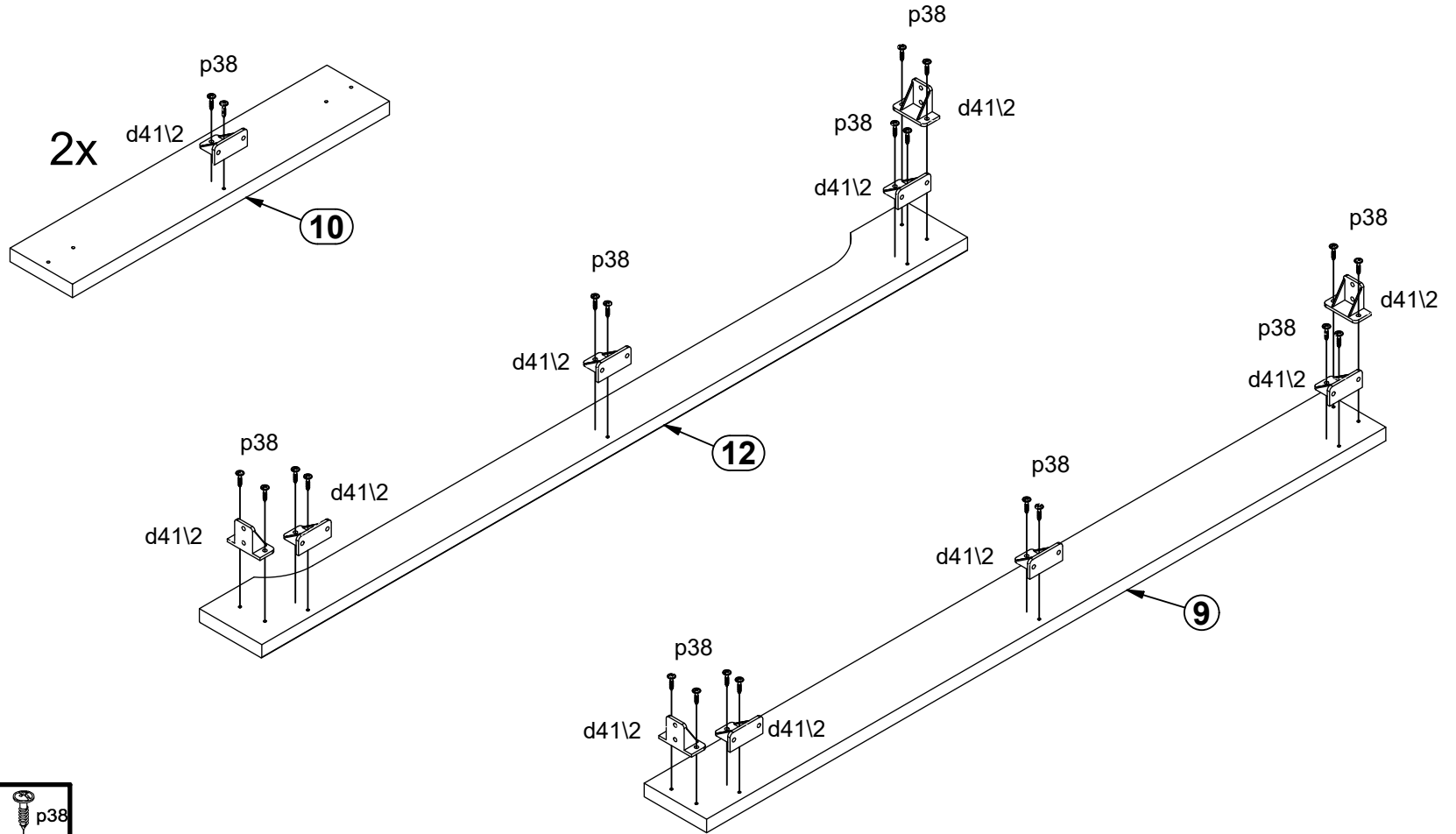
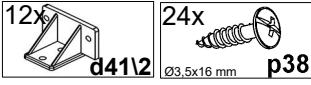




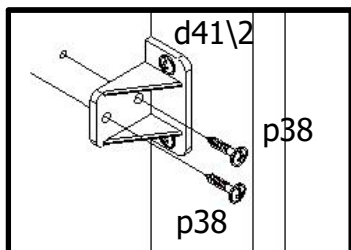
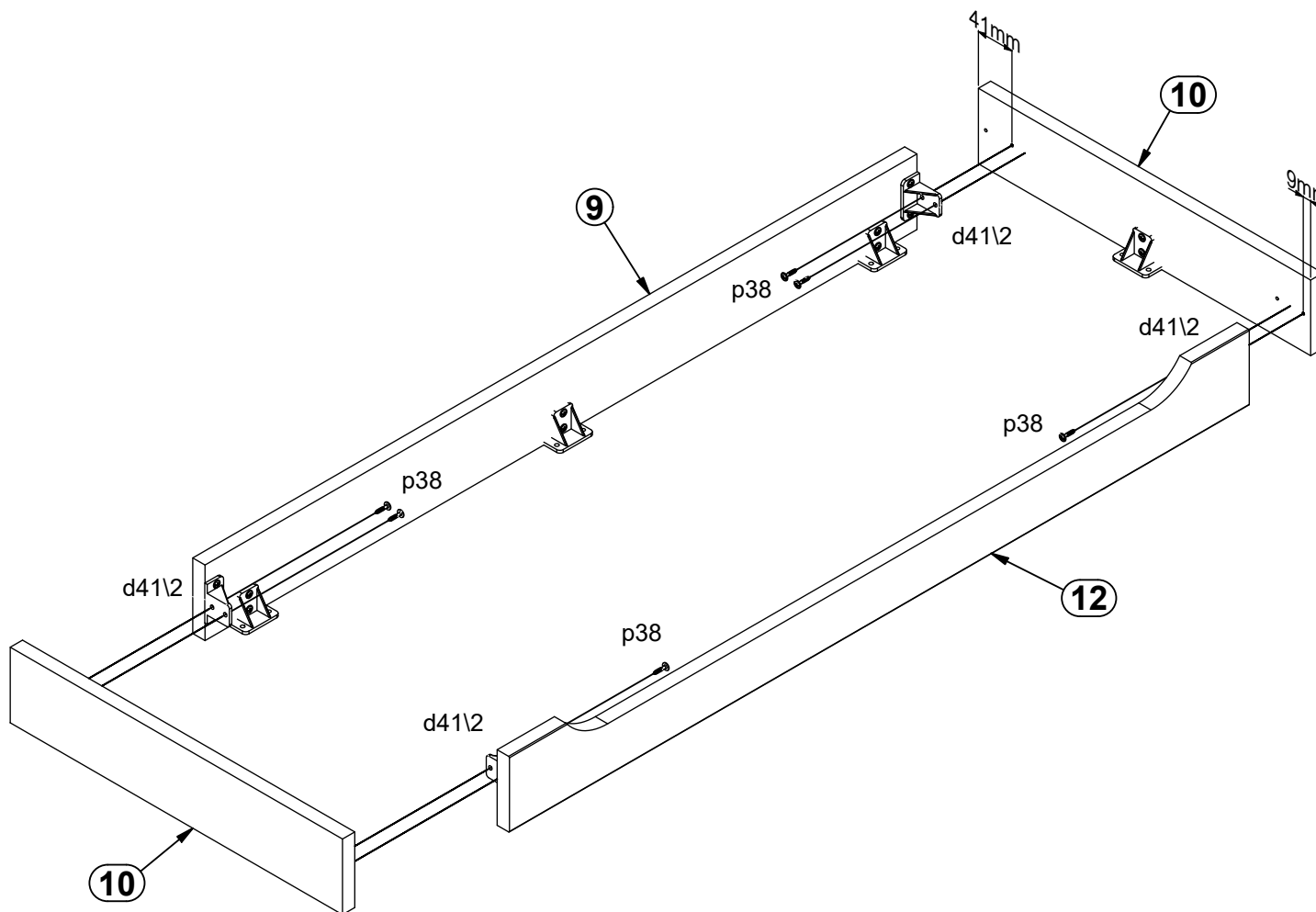
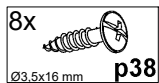


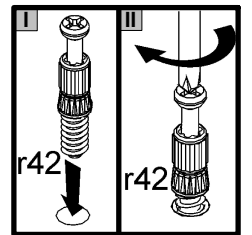
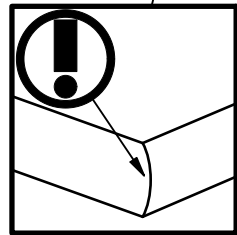
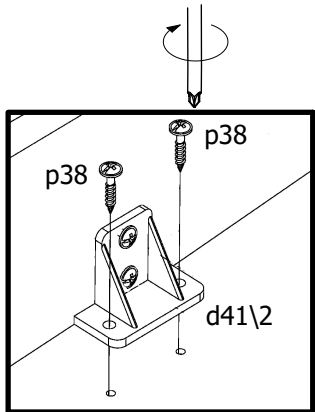
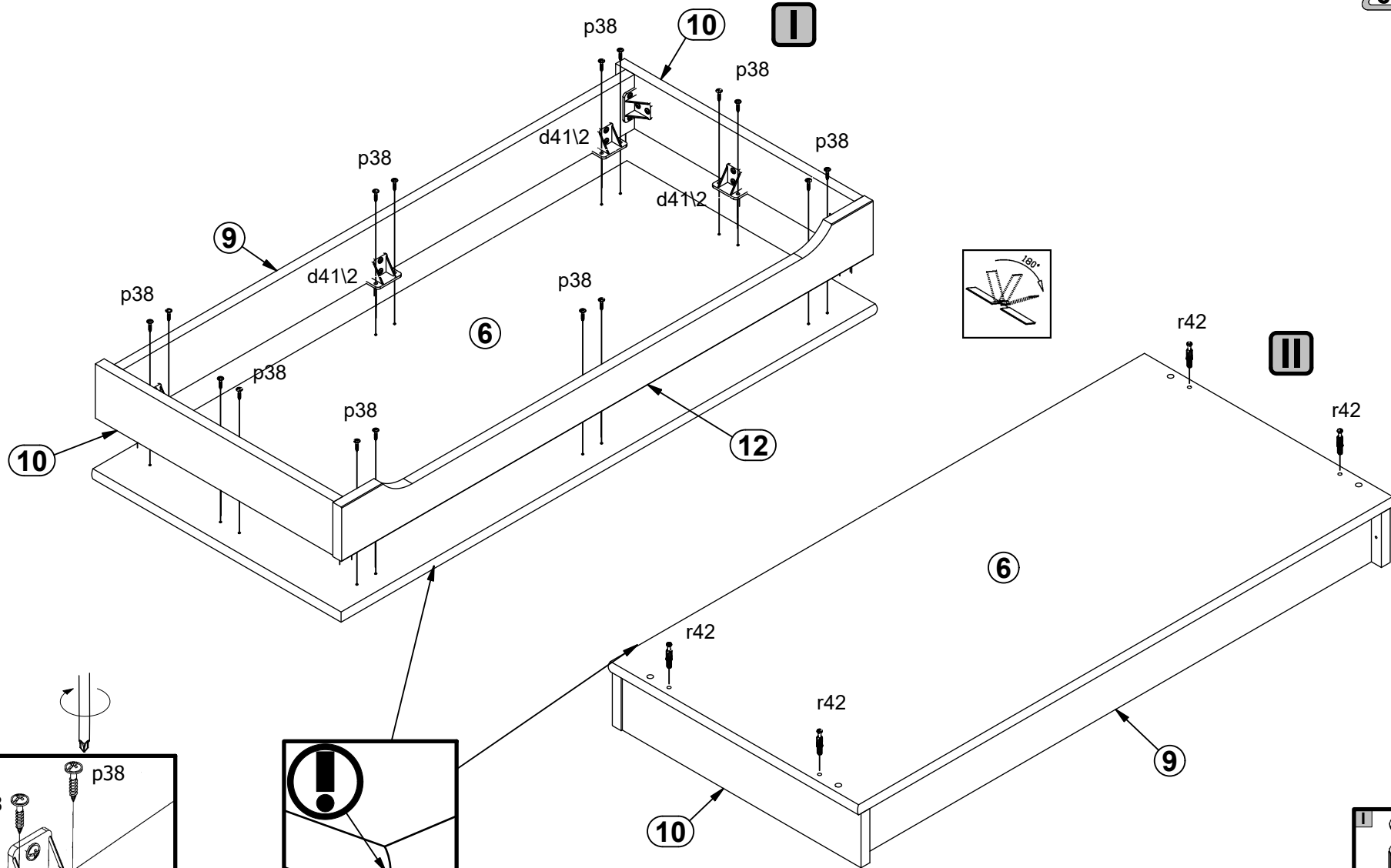
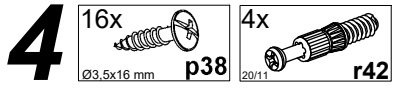


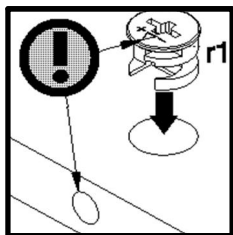
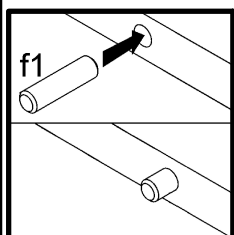
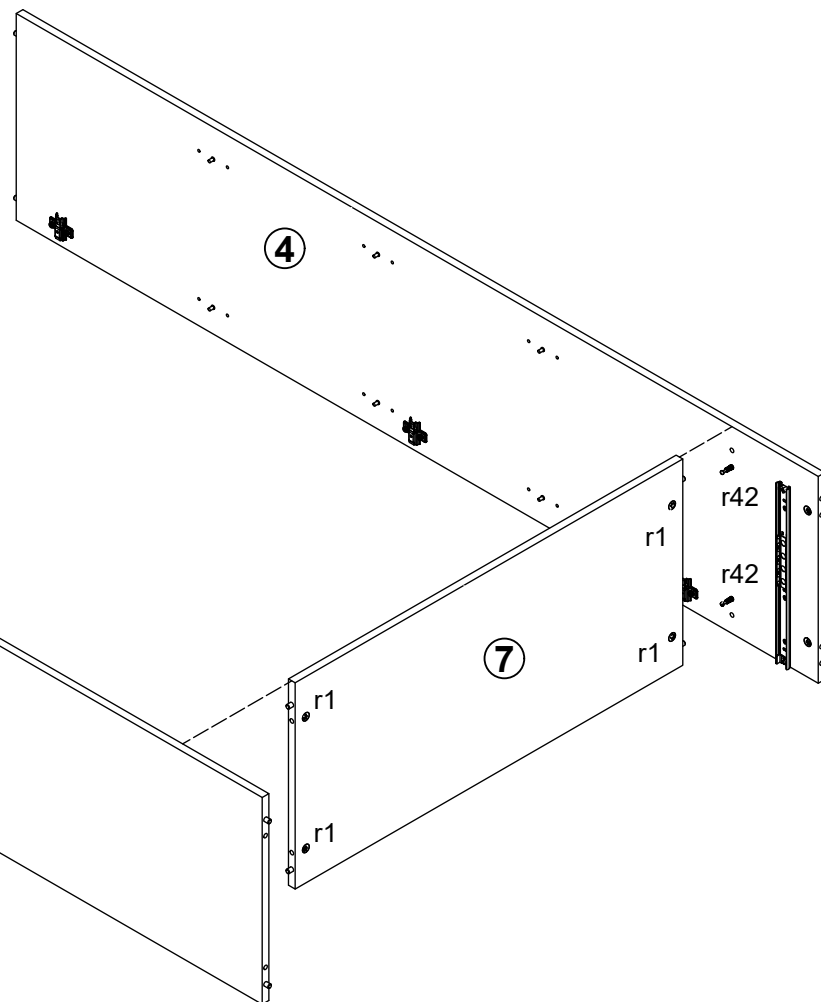
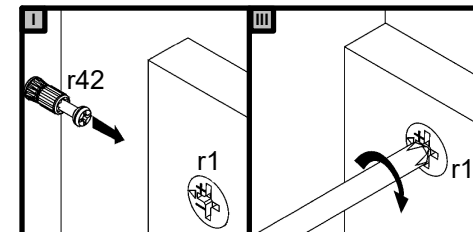
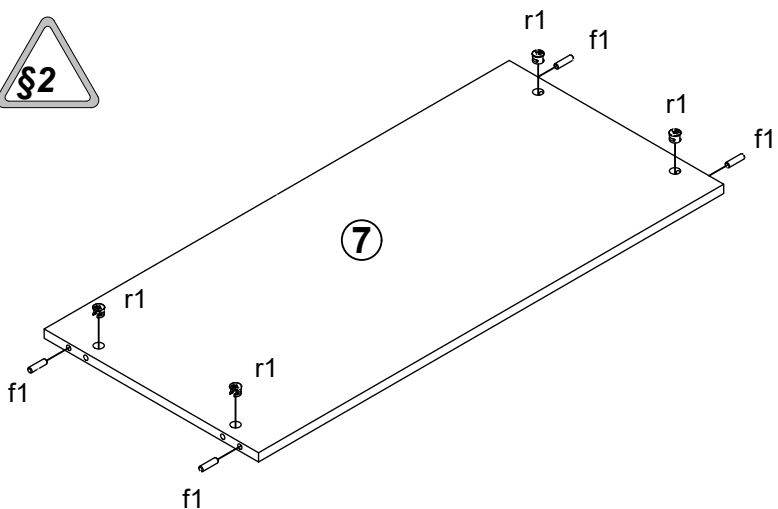
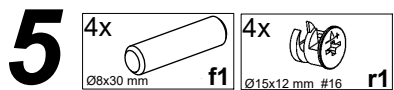
2



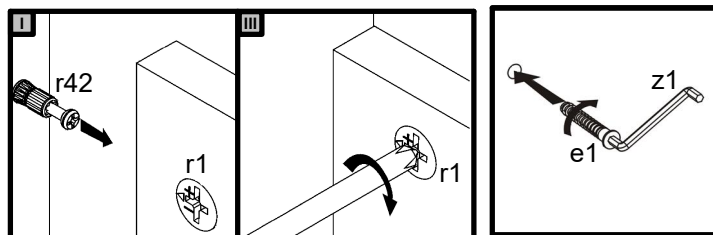
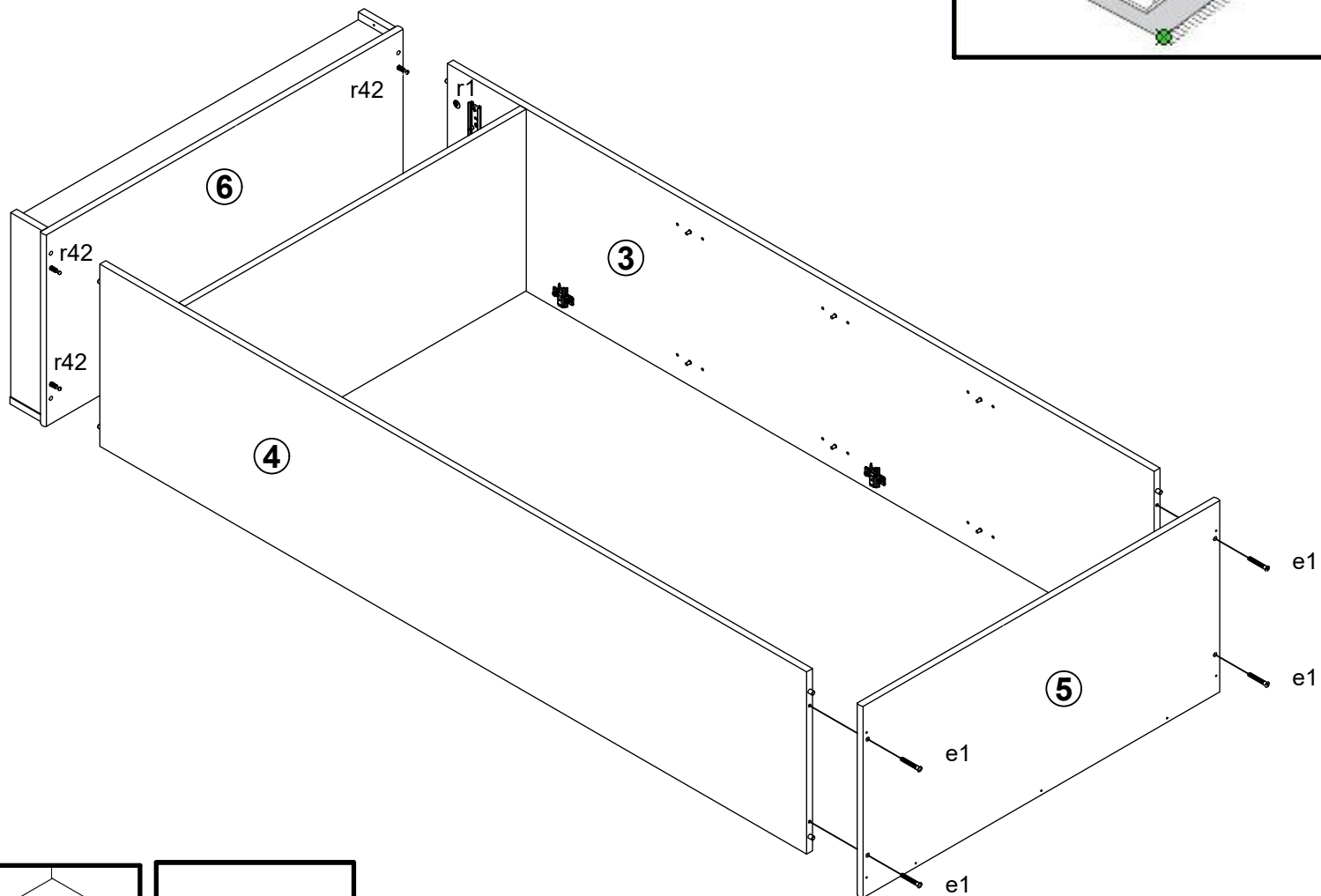
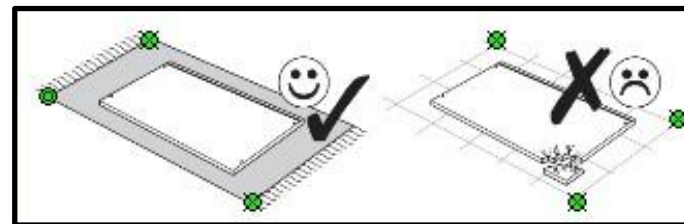
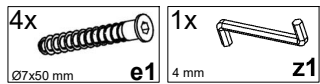
3



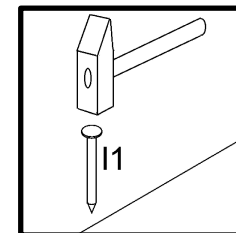
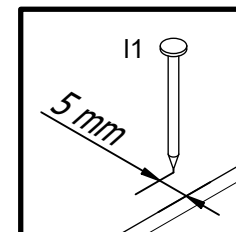
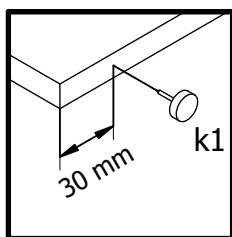
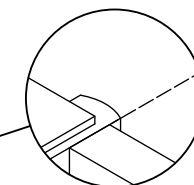
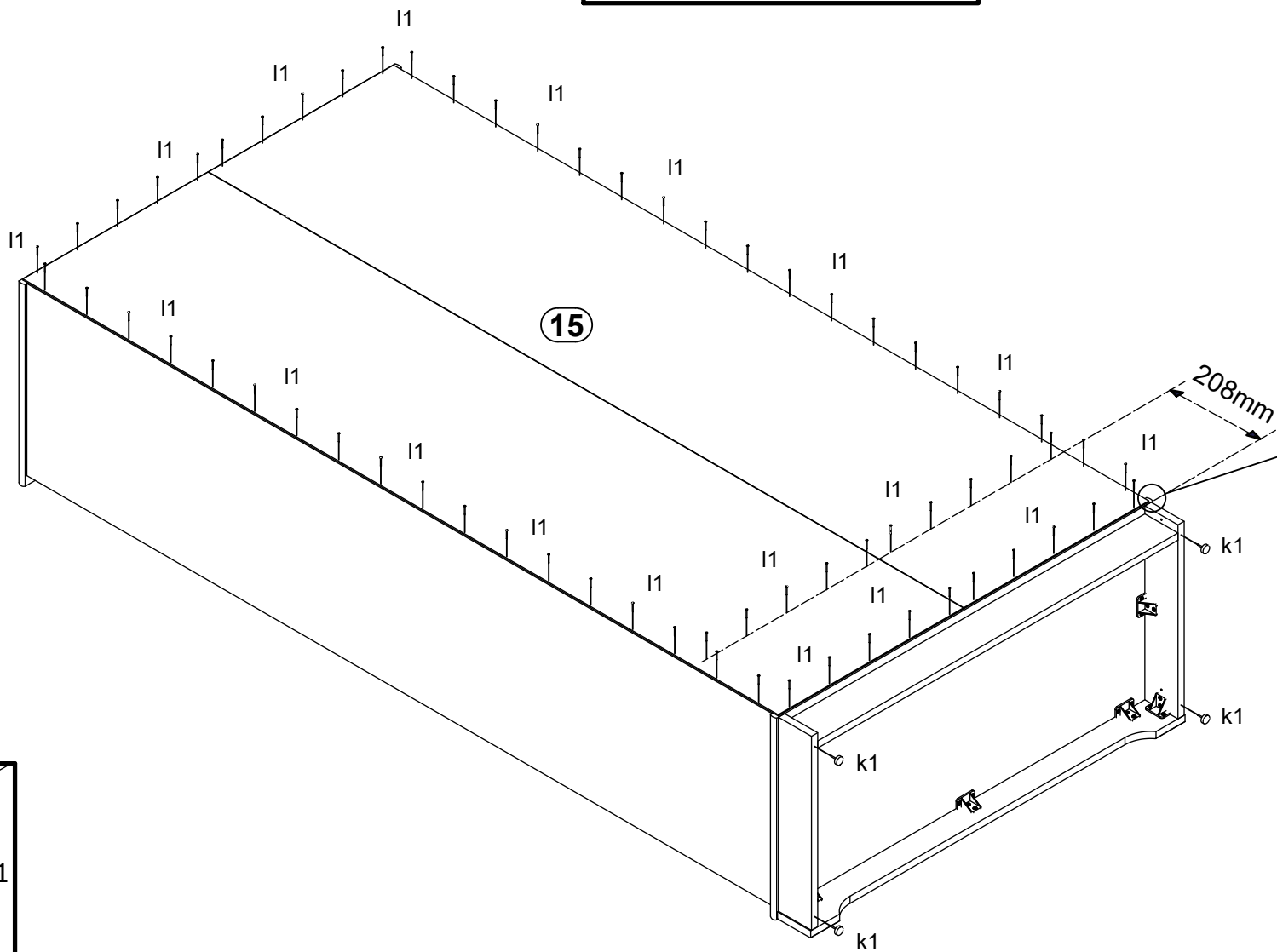
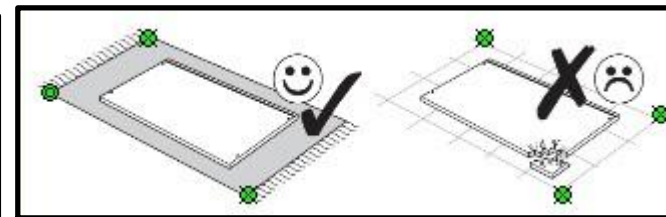
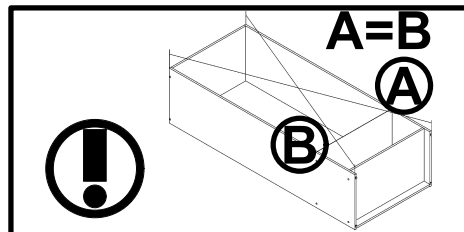





6



7

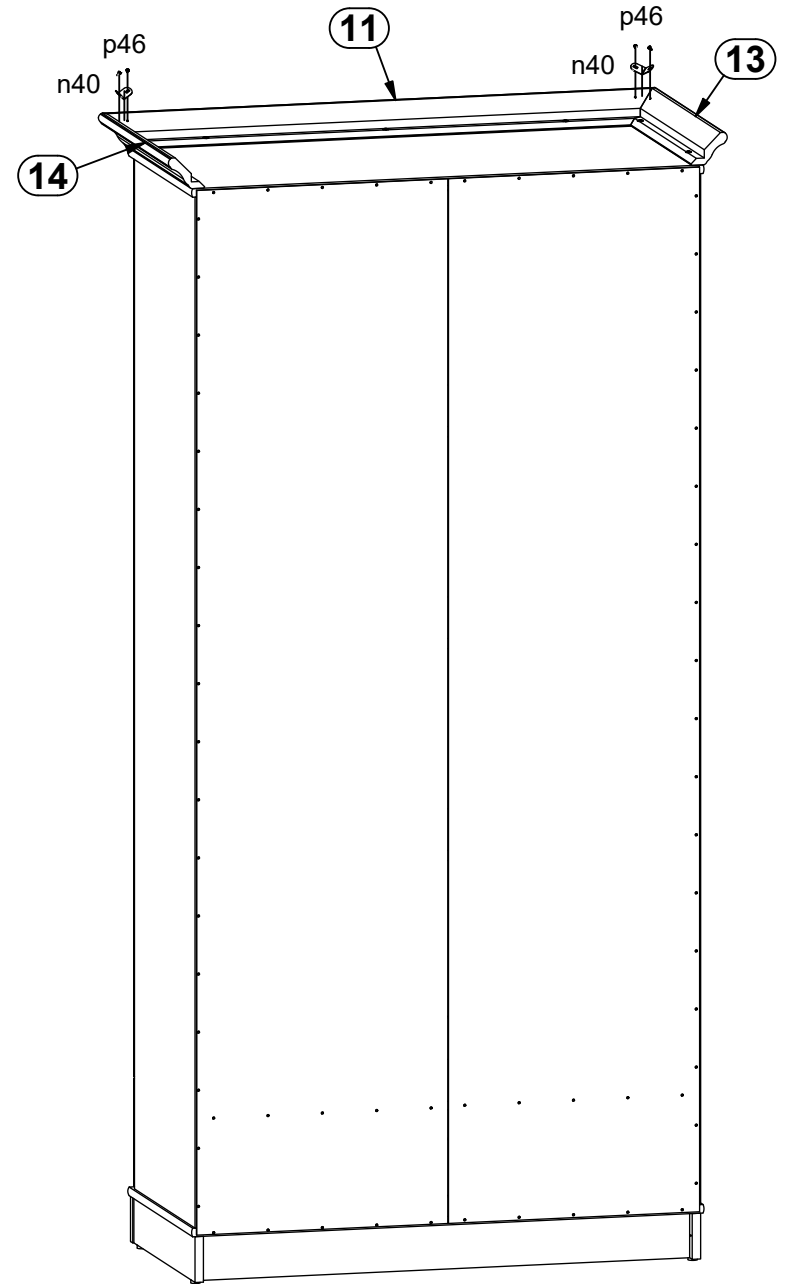
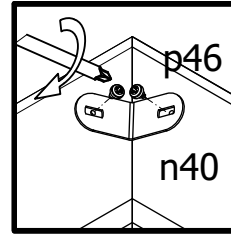
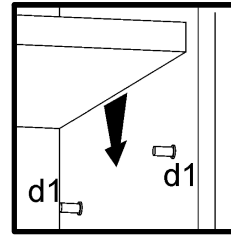
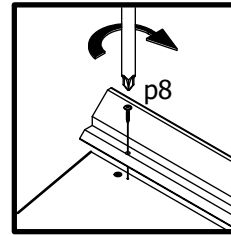
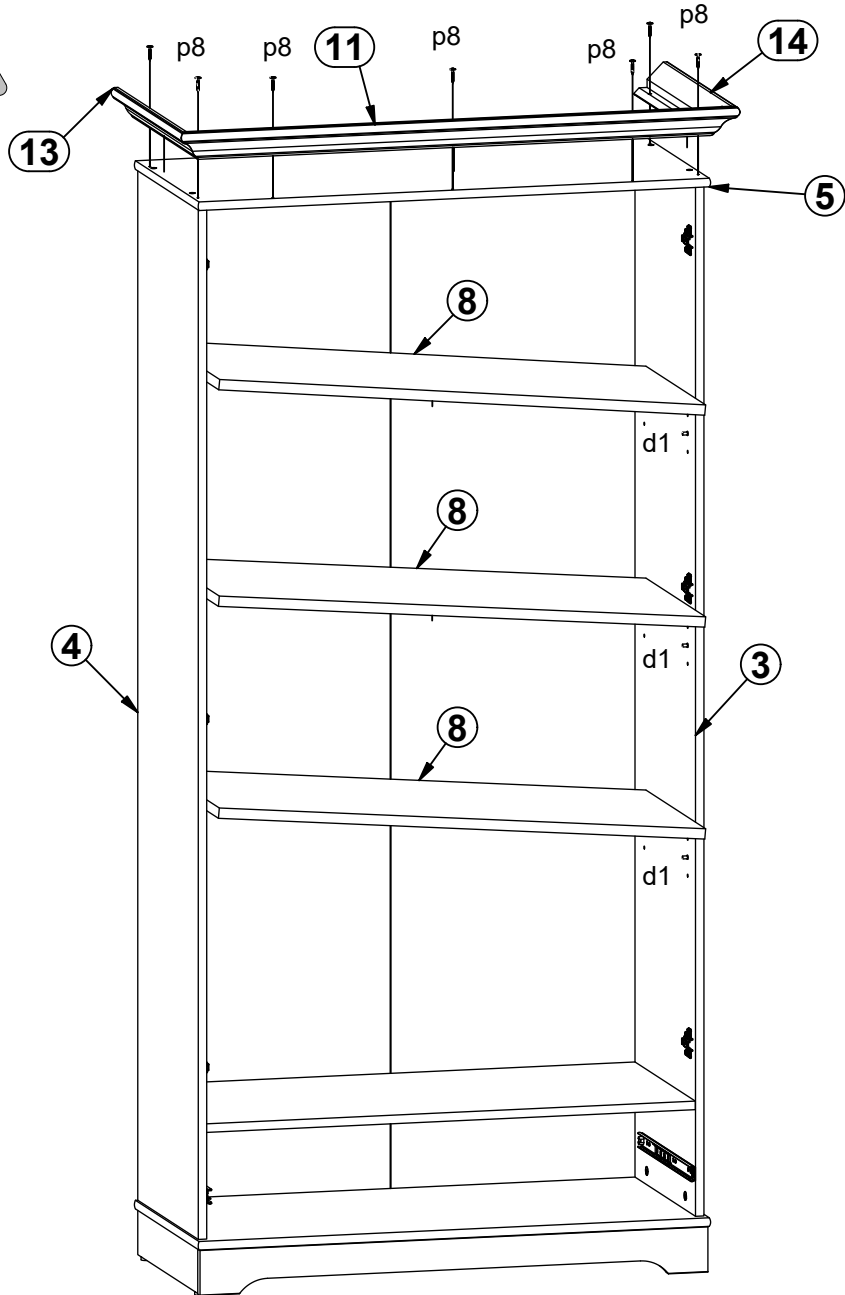


8

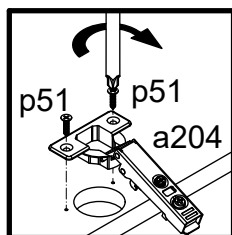
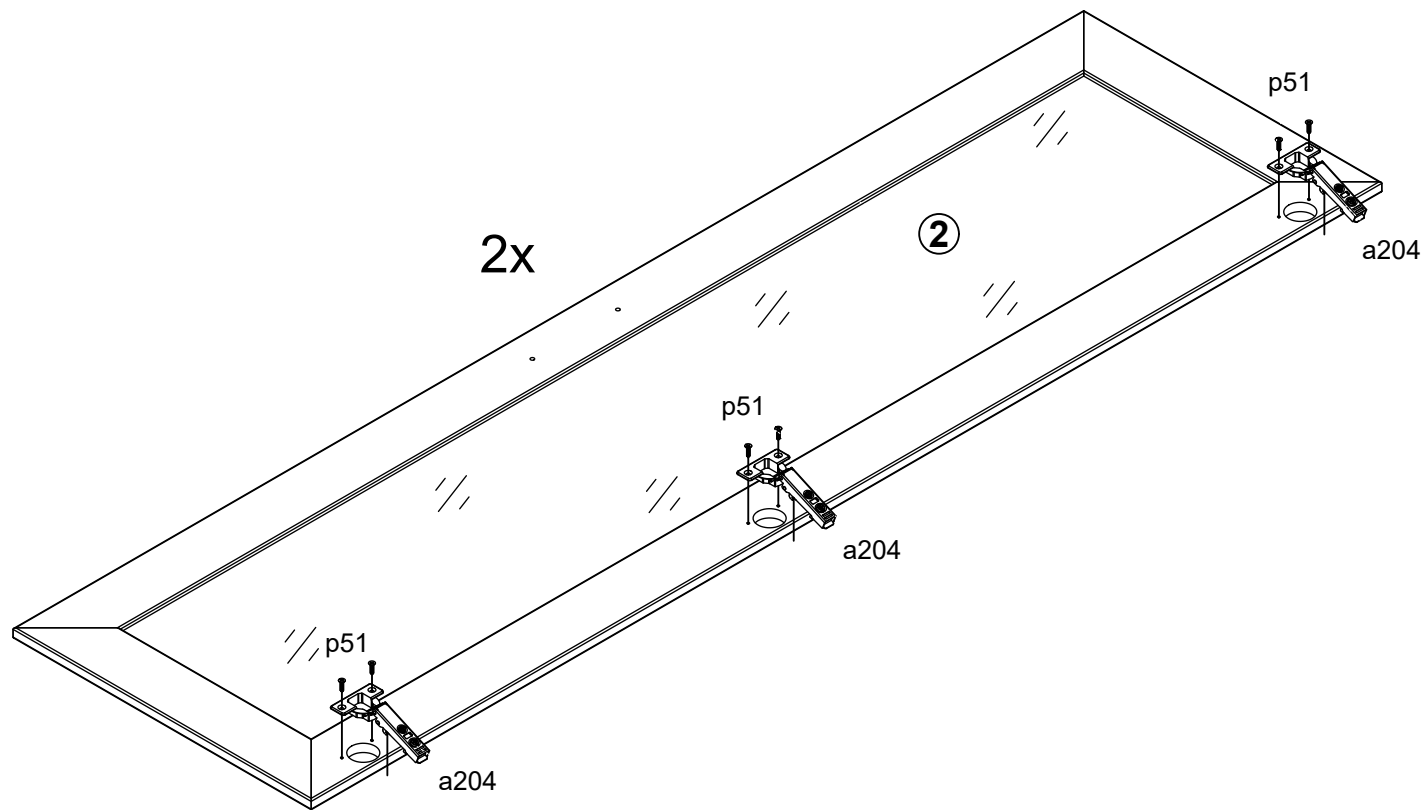
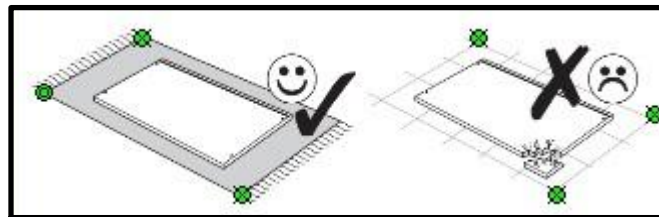
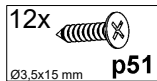
7x  p8
Ø4x25 mm

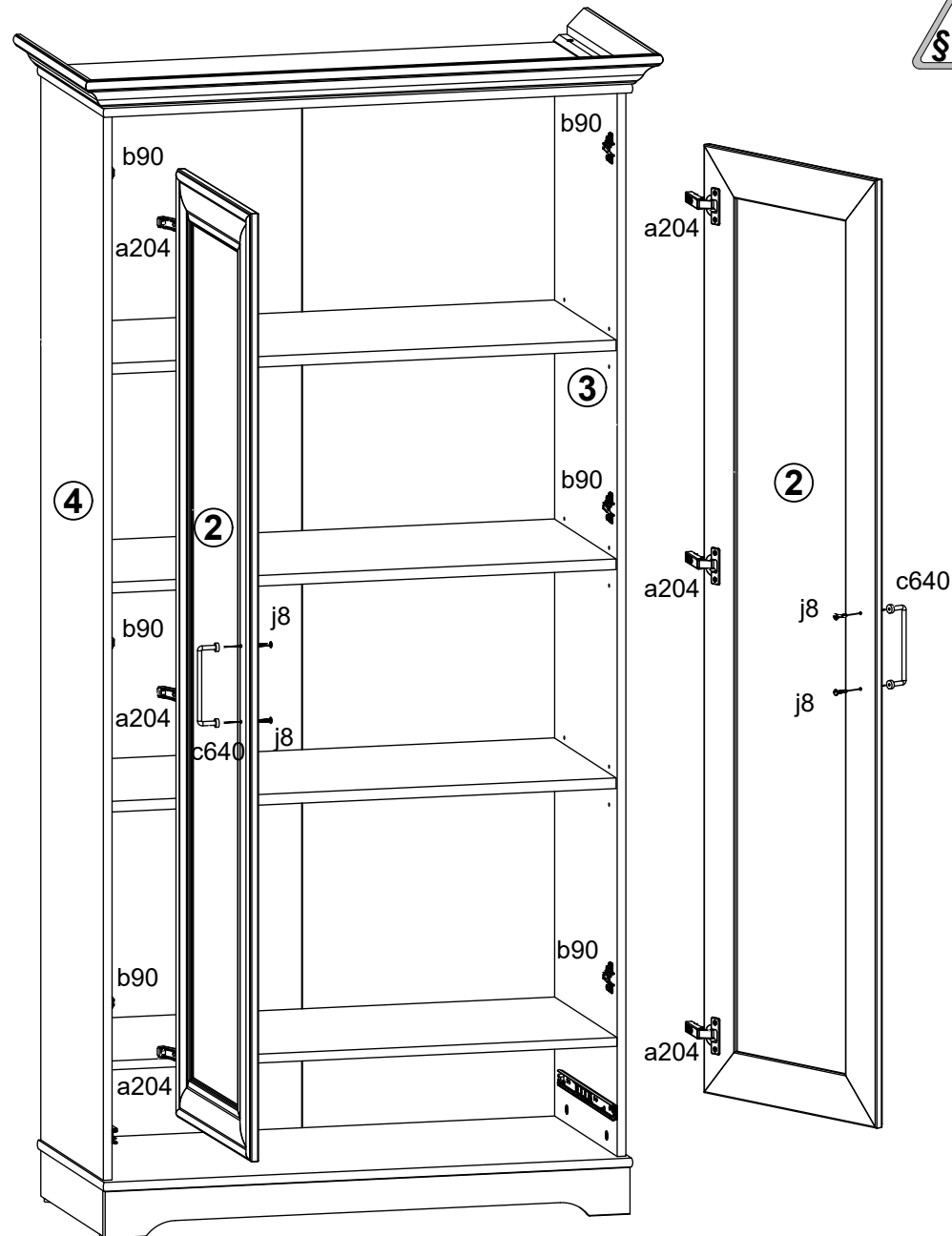
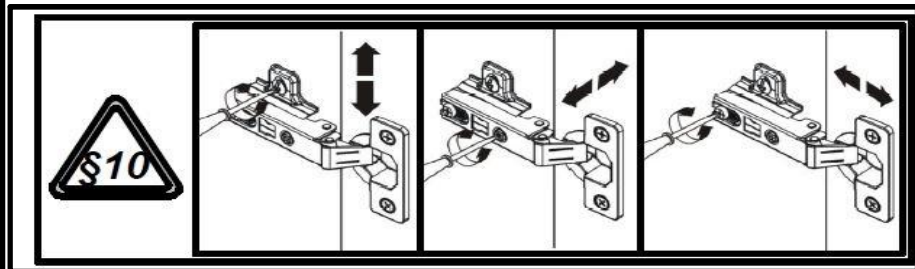
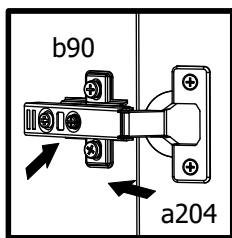
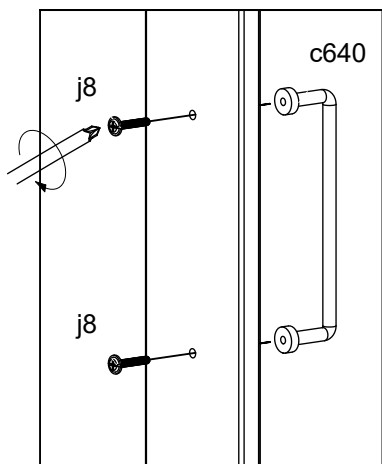
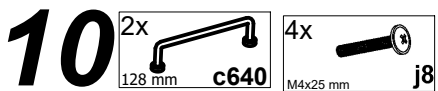
2x  n40
26x26x16/1-125°

4x  p46
Ø3x7 mm





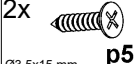
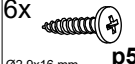




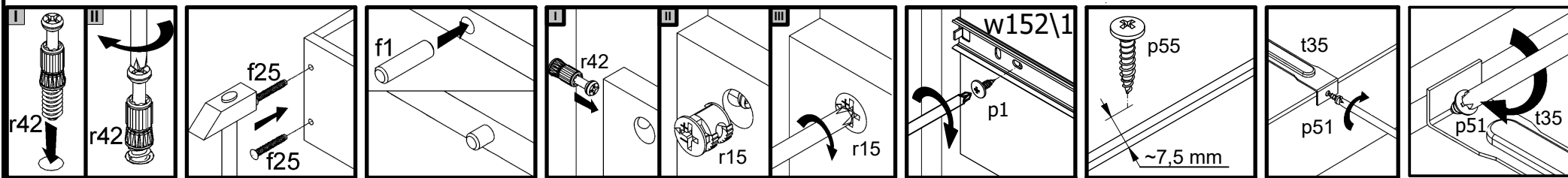
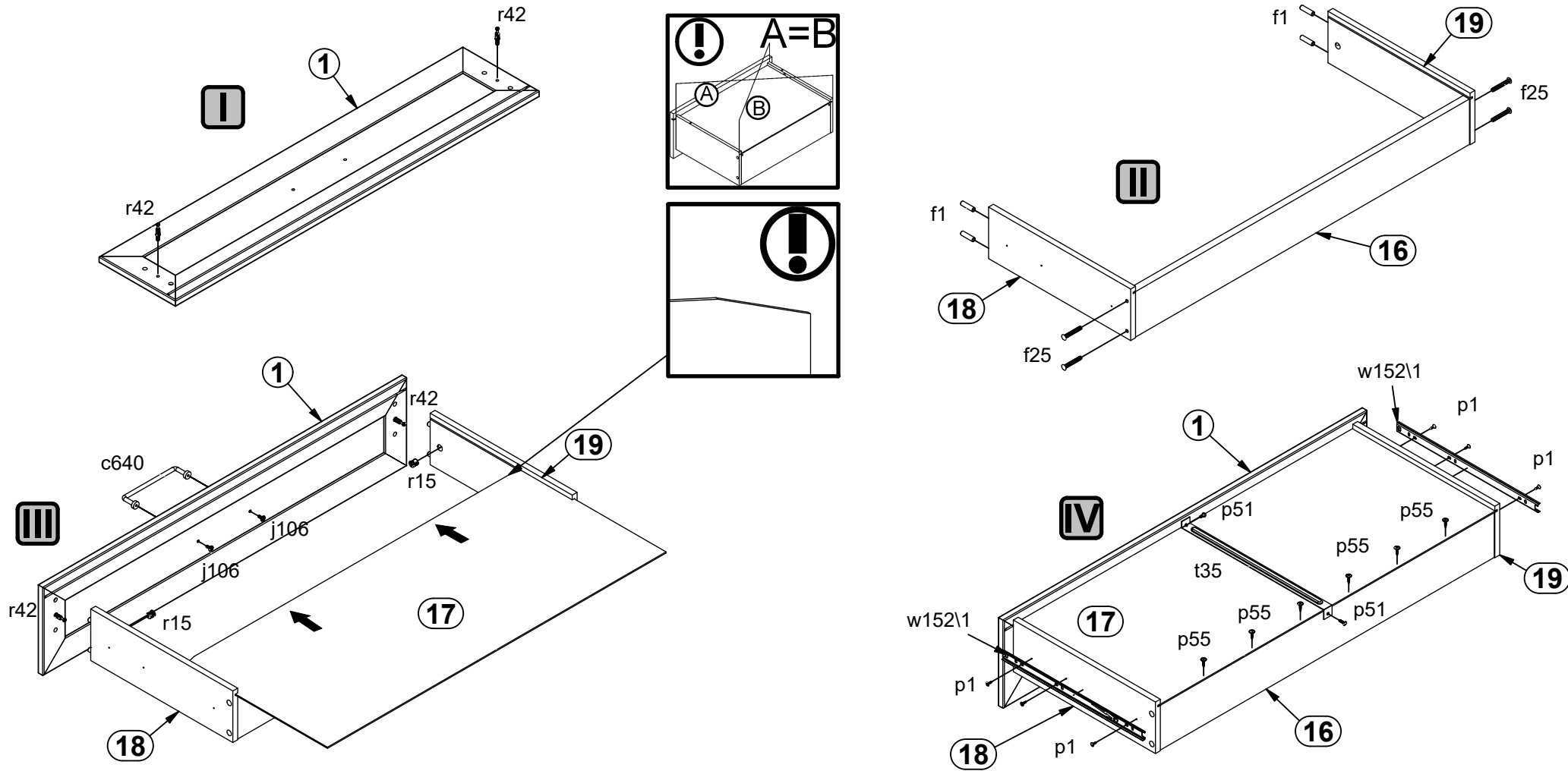
9







11

- 1x  128 mm **c640**
- 4x  Ø8x30 mm **f1**
- 4x  Ø6,5x40 mm **f25**
- 2x  M4x10 mm **j106**
- 2x  350/580 mm **w152\1**
- 2x  Ø3,5x15 mm **p51**
- 6x  Ø2,9x16 mm **p55**
- 2x  Ø12x10,5 mm #12 **r15**
- 2x  20/11 **r42**
- 1x  350 mm **t35**
- 6x  Ø3,5x13 mm **p1**



12

- 1x  n14\2
- 2x  p51

