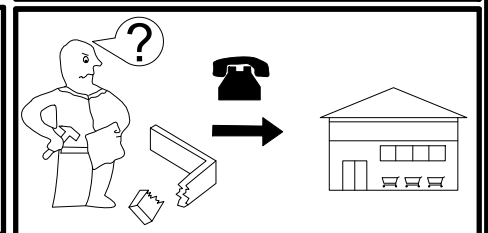
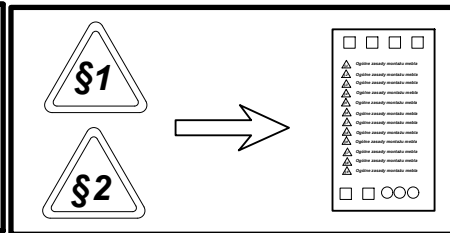
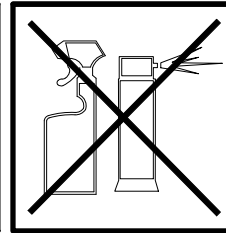
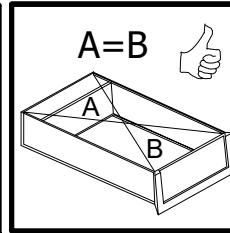
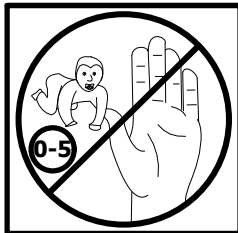
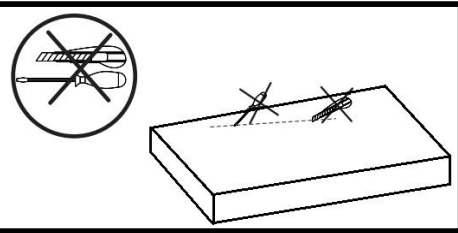
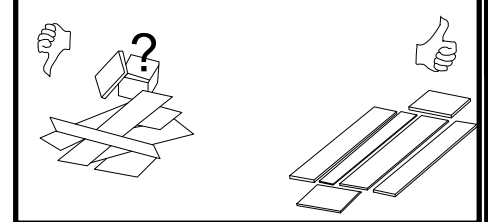
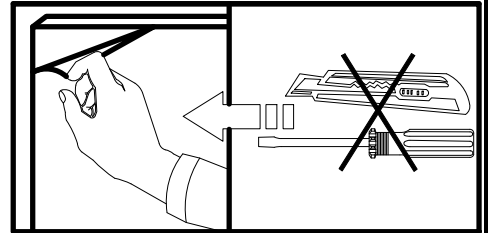
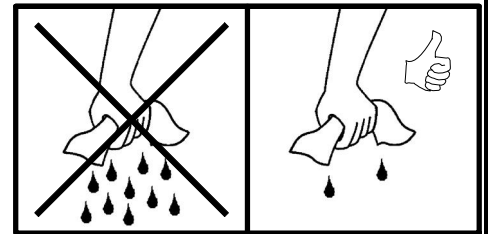
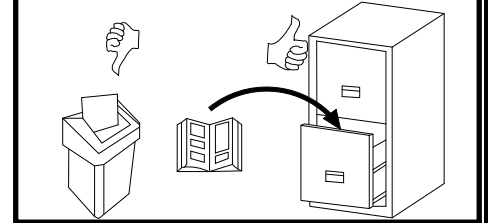
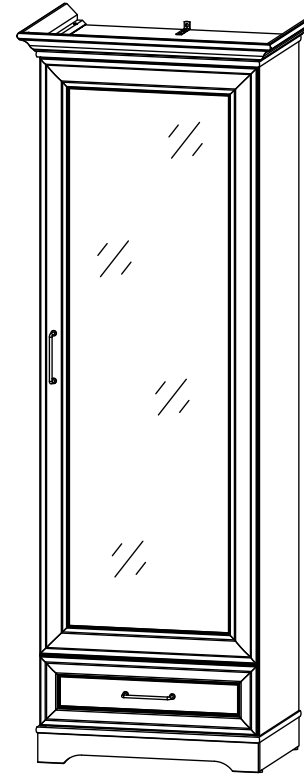
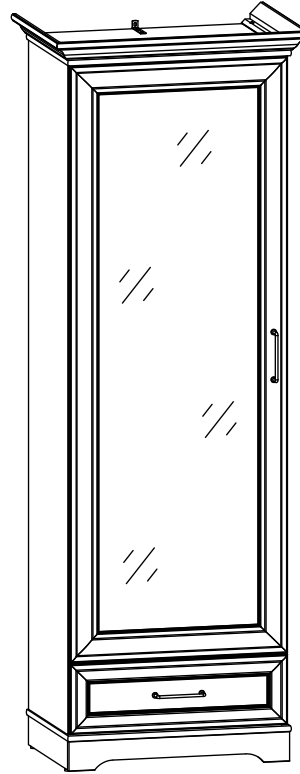
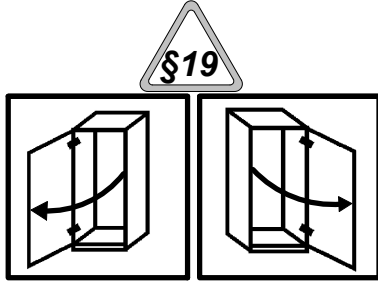
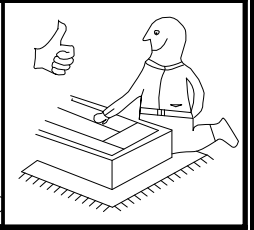
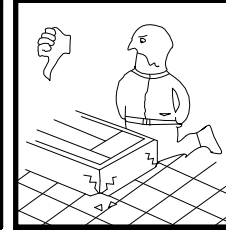
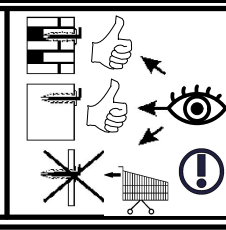
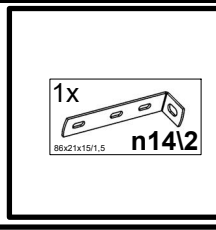
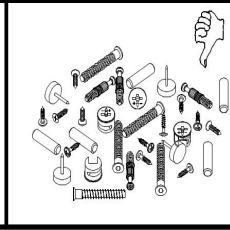
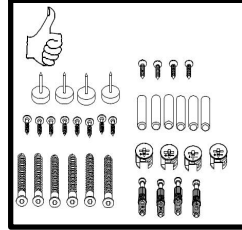
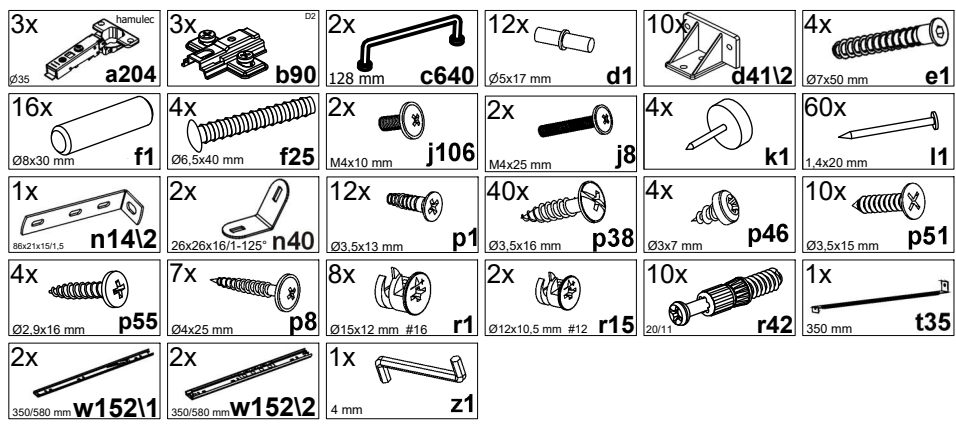
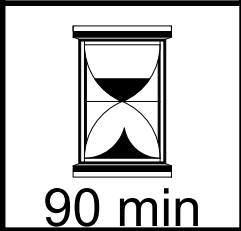
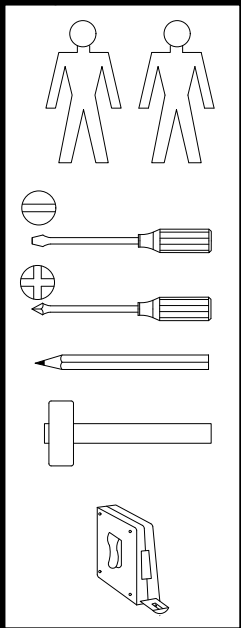
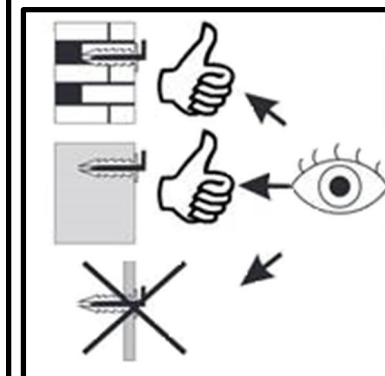
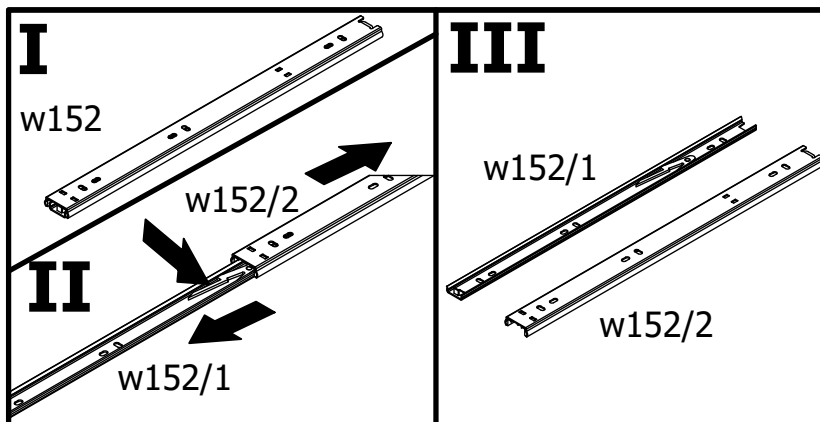
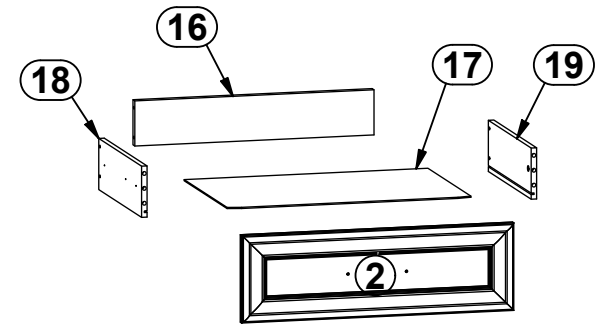
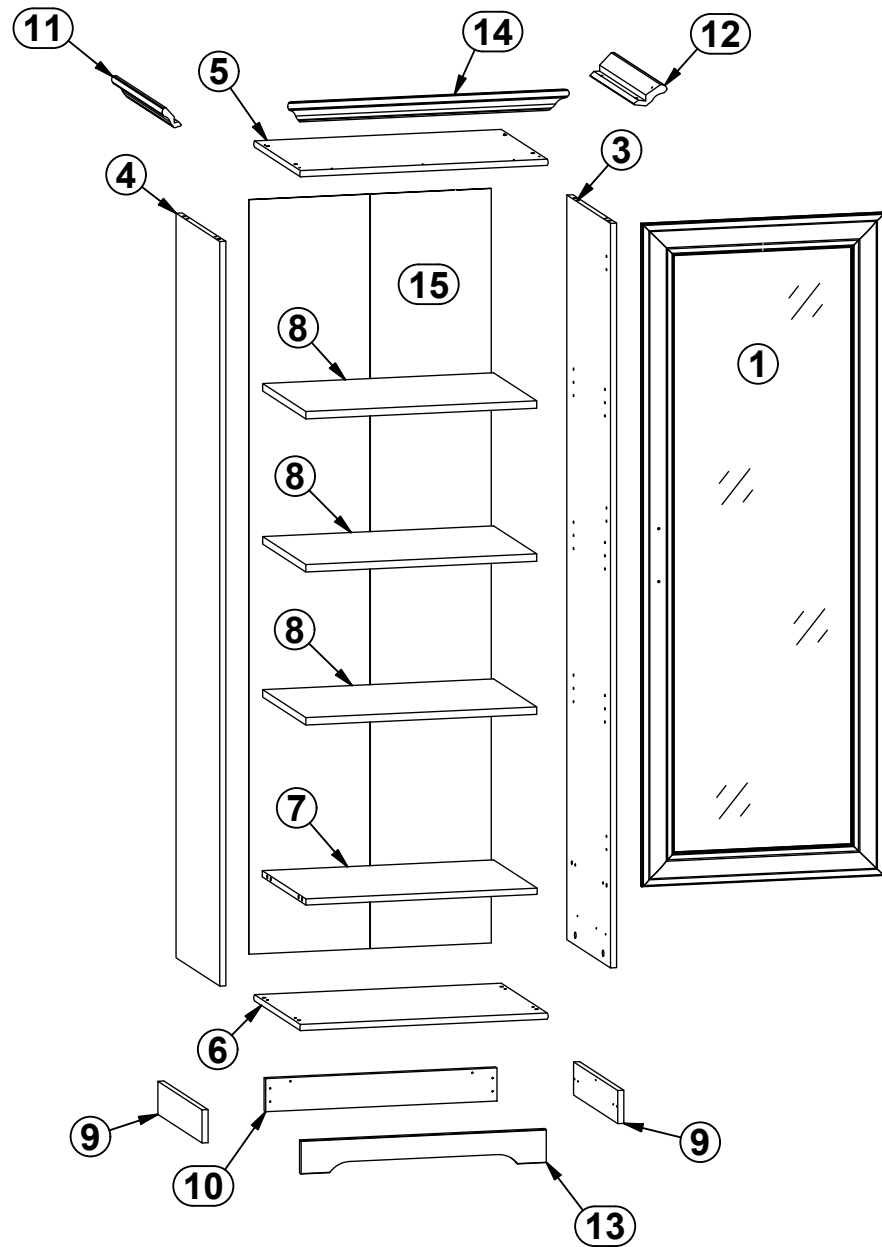


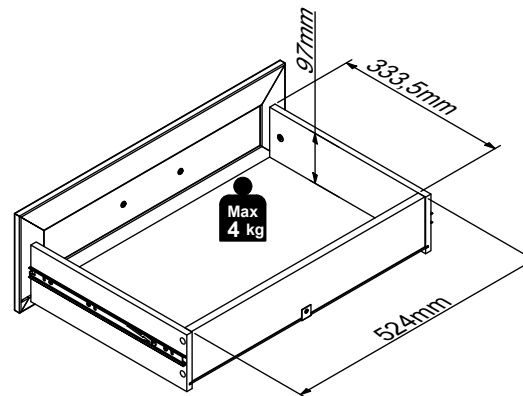
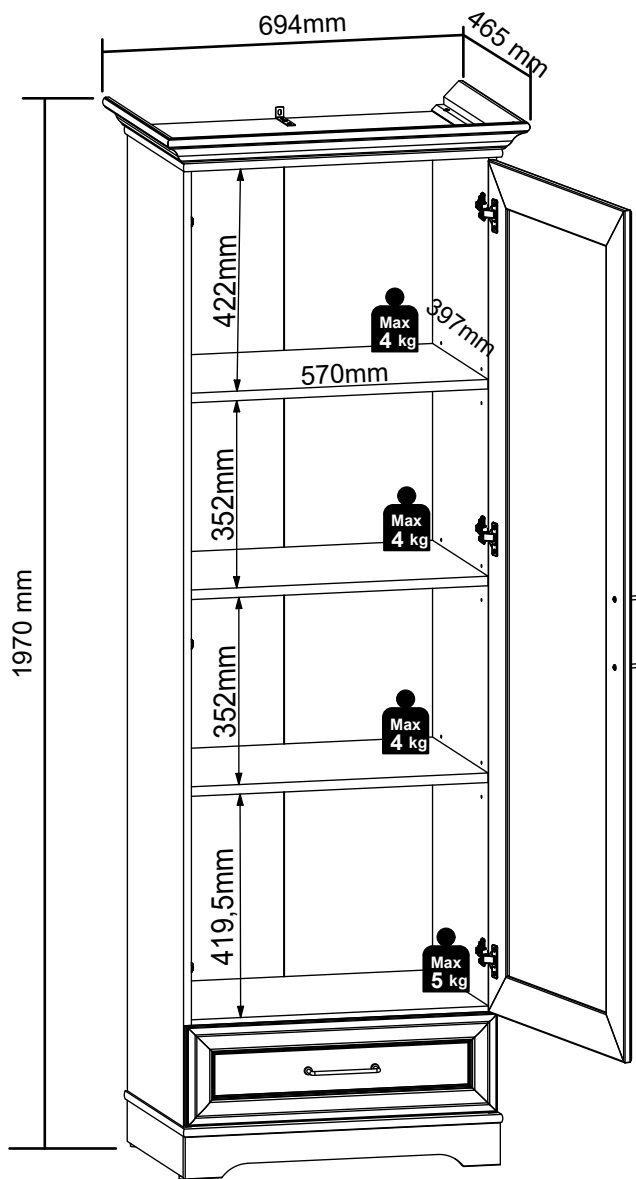
A**S641-REG1W1S****ANGA**

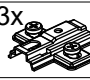
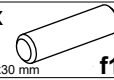

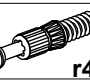

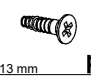


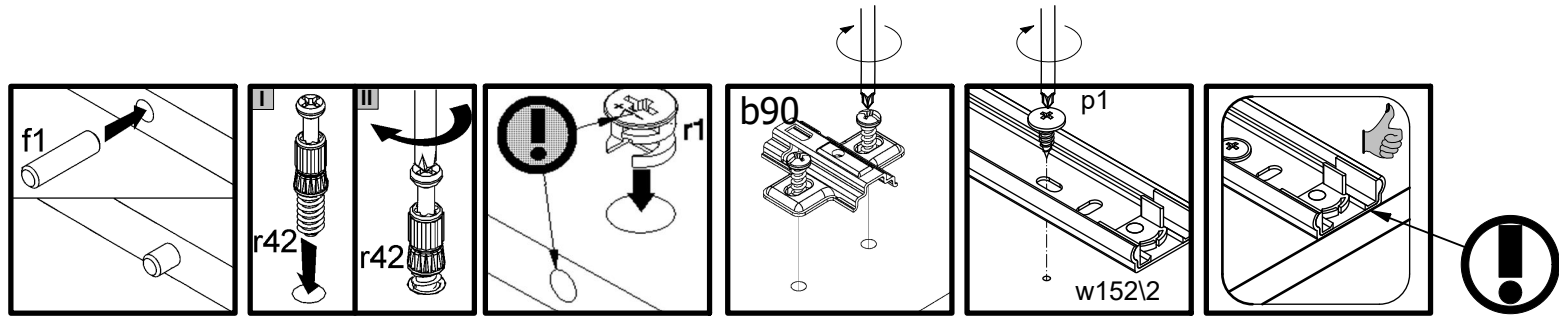
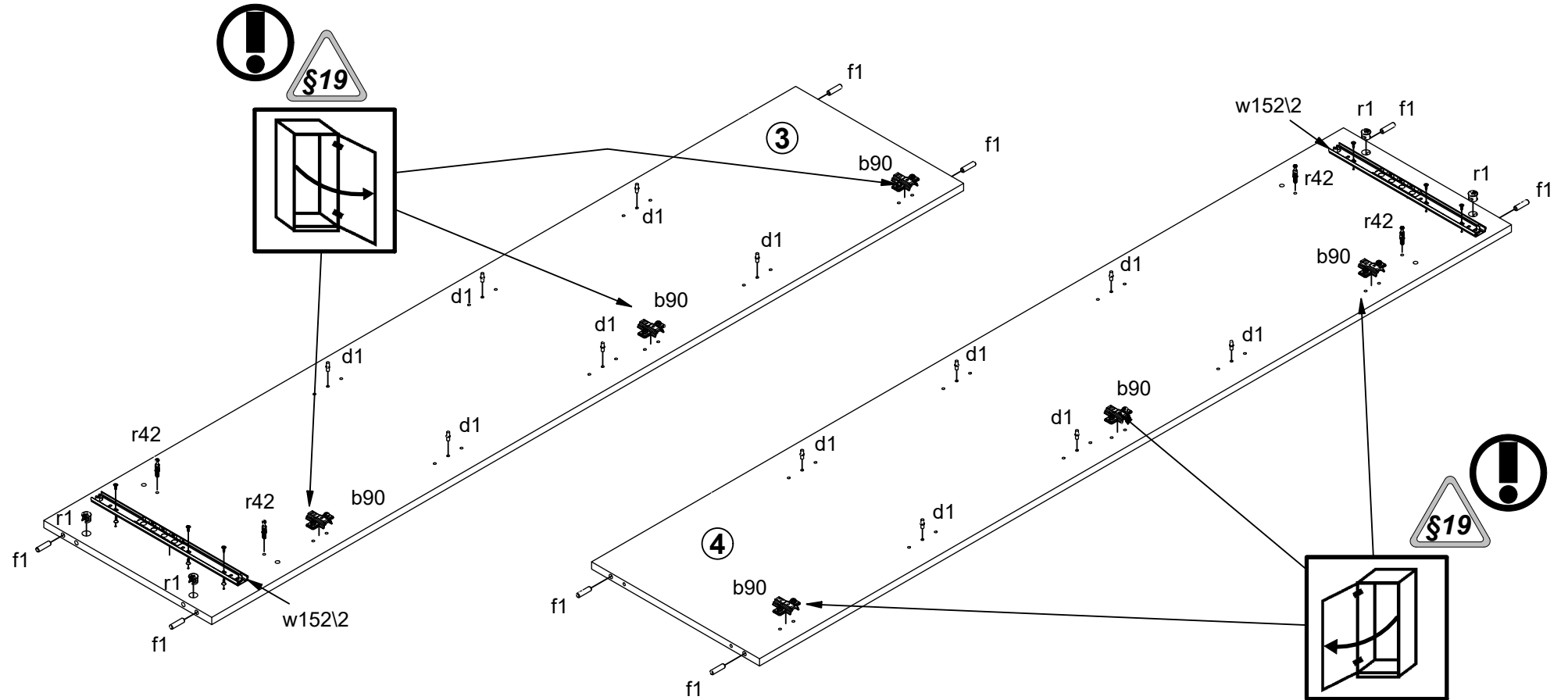
A	B1	B2	C1	C2	C3	D
1	S641-0009	-	1602	596	19	2/2
2	S641-0010	-	596	188	19	2/2
3	S641-1019	-	1800	402	15	2/2
4	S641-1020	-	1800	402	15	2/2
5	S641-2014	-	612	424	15	1/2
6	S641-2015	-	612	424	15	1/2
7	S641-3010	-	570	401	15	1/2
8	S641-3011	-	569	397	18	1/2
9	S641-4017	-	406	80	15	1/2
10	S641-4021	-	570	80	15	1/2
11	S641-5012	-	465	80	19	1/2
12	S641-5013	-	465	80	19	1/2
13	S641-5014	-	604	80	15	1/2
14	S641-5015	-	694	80	19	1/2
15	S641-9311	-	1824	597	2,5	2/2
16	STK-5119	-	524	97	15	1/2
17	WDF-9202	-	534	358	2,5	1/2
18	WSK2-5005	-4	350	110	12	1/2
19	WSK2-5006	-4	350	110	12	1/2



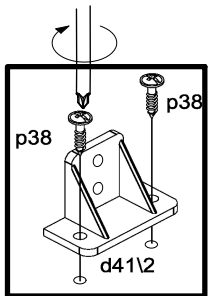
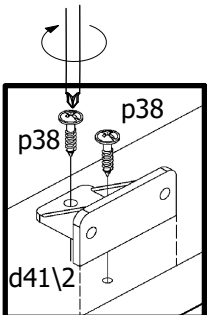
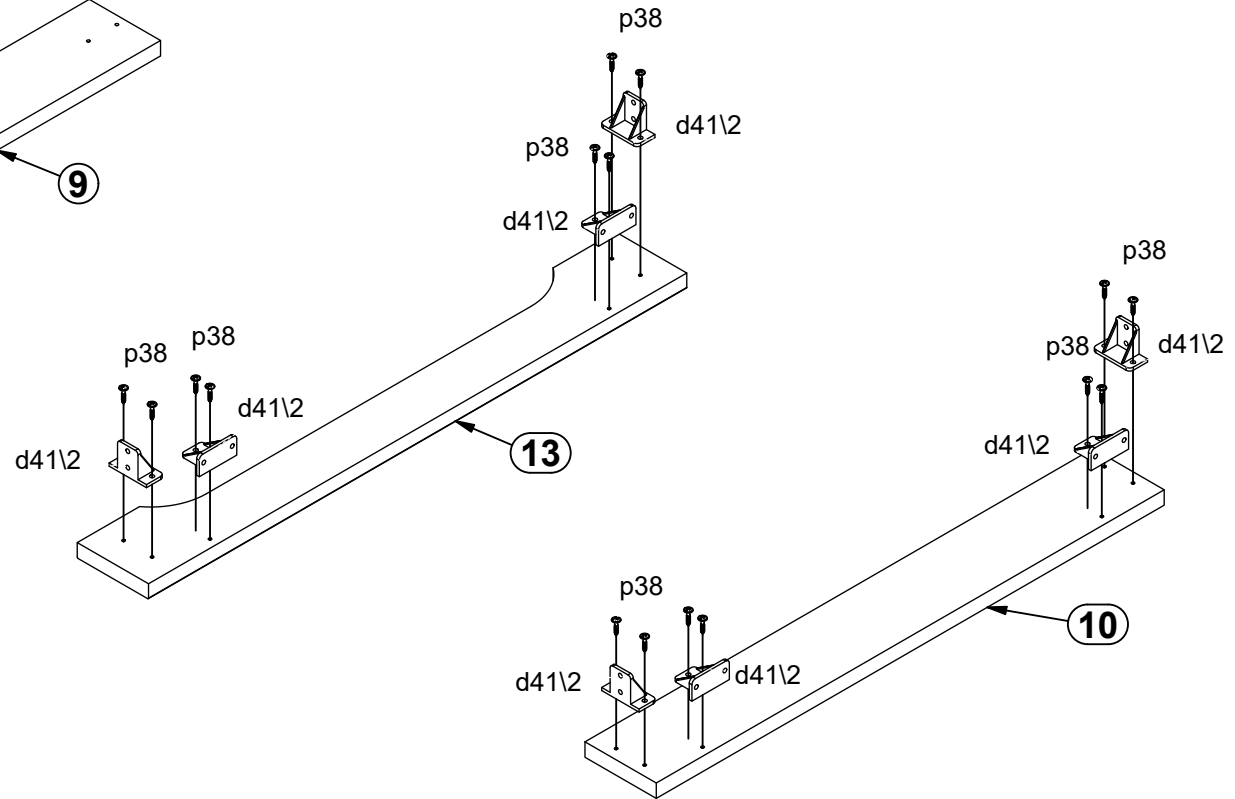
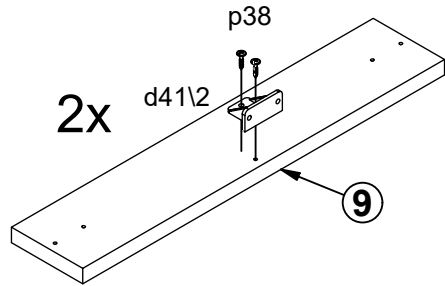
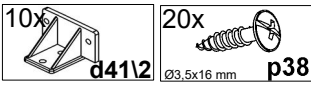


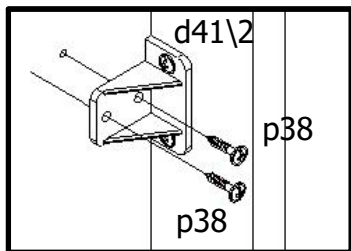
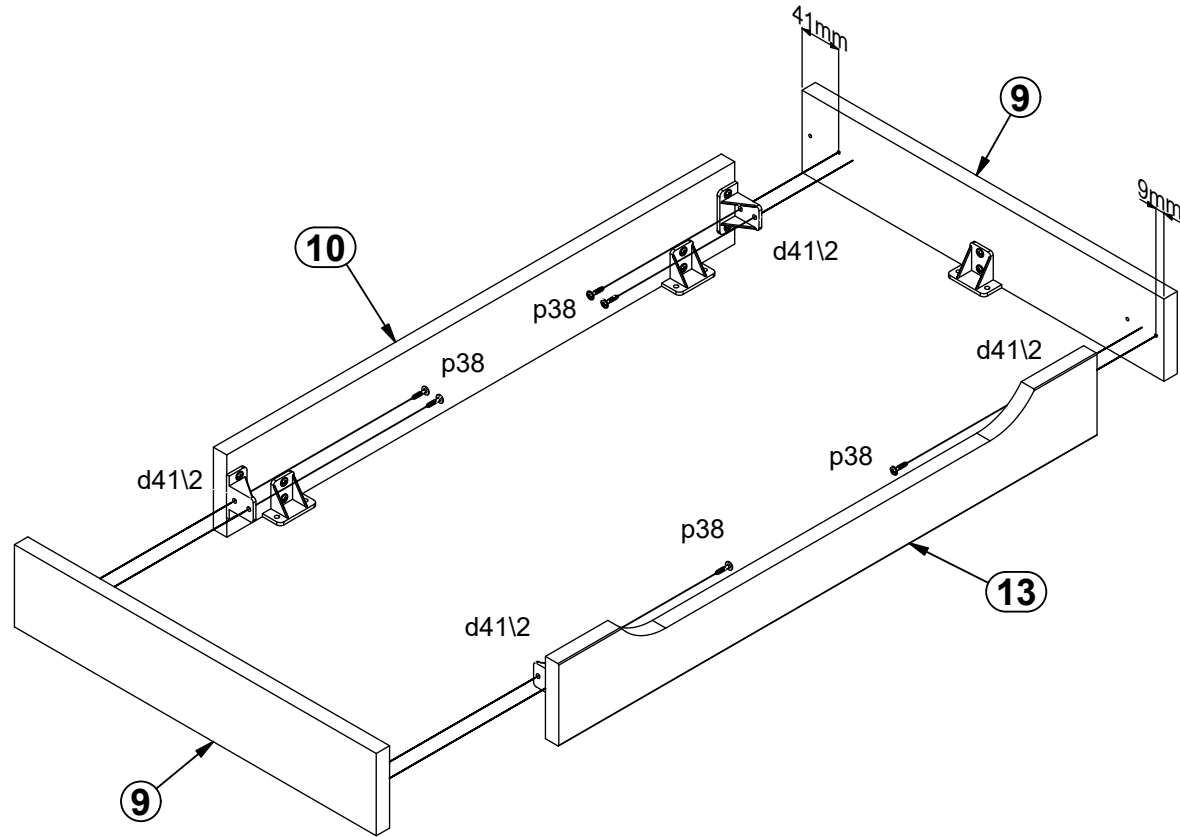
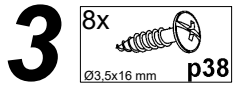


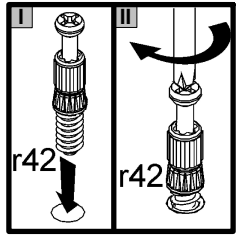
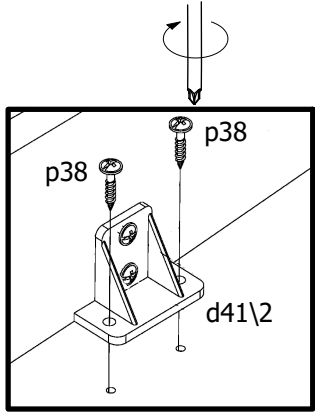
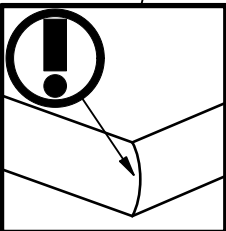
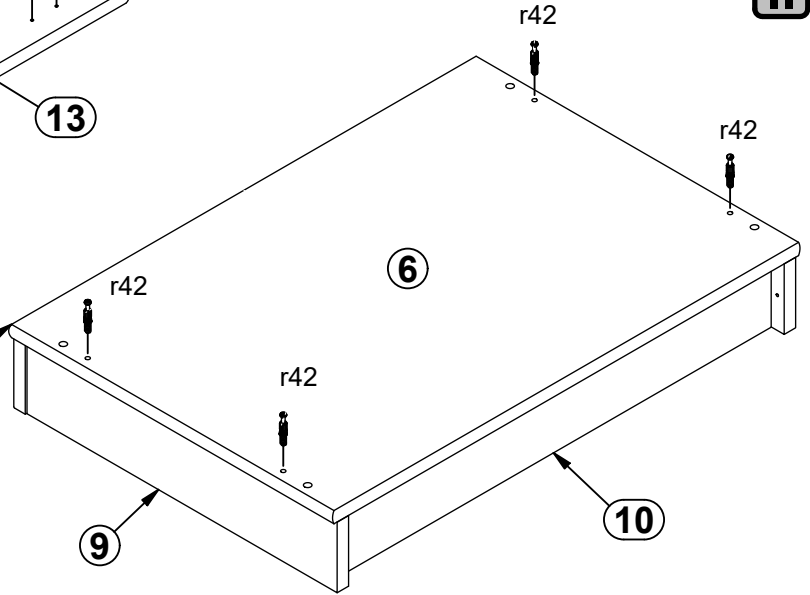
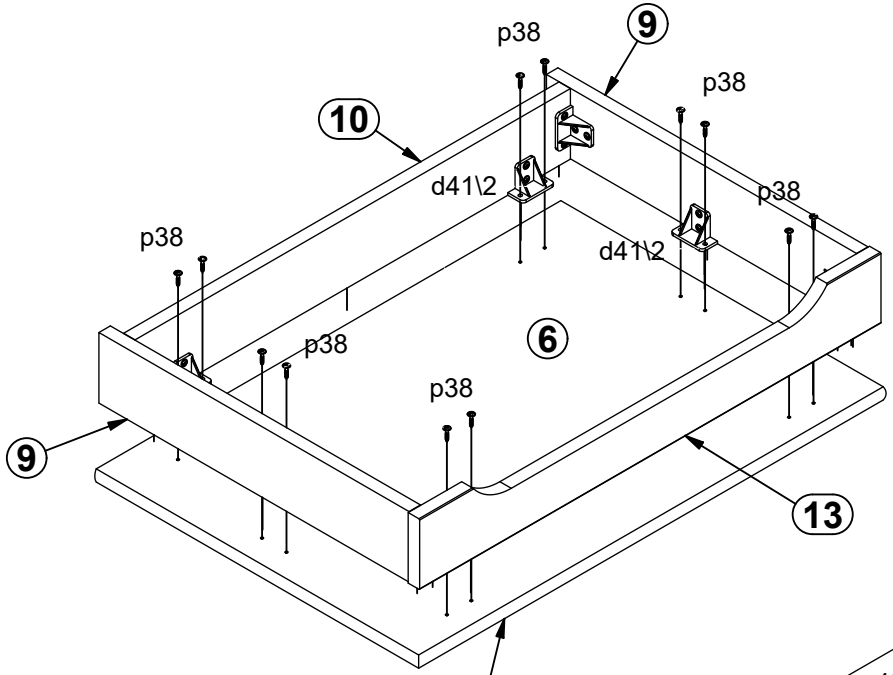
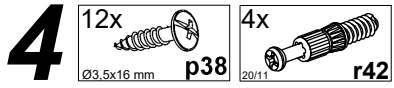
- 1 3x  b90
- 8x  f1 Ø8x30 mm
- 4x  r1 Ø15x12 mm #16
- 4x  r42 20/1.1
- 2x  w152\2 350/580 mm
- 6x  p1 Ø3.5x13 mm

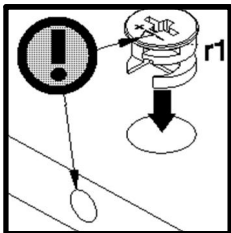
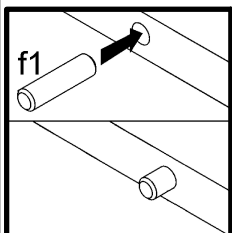
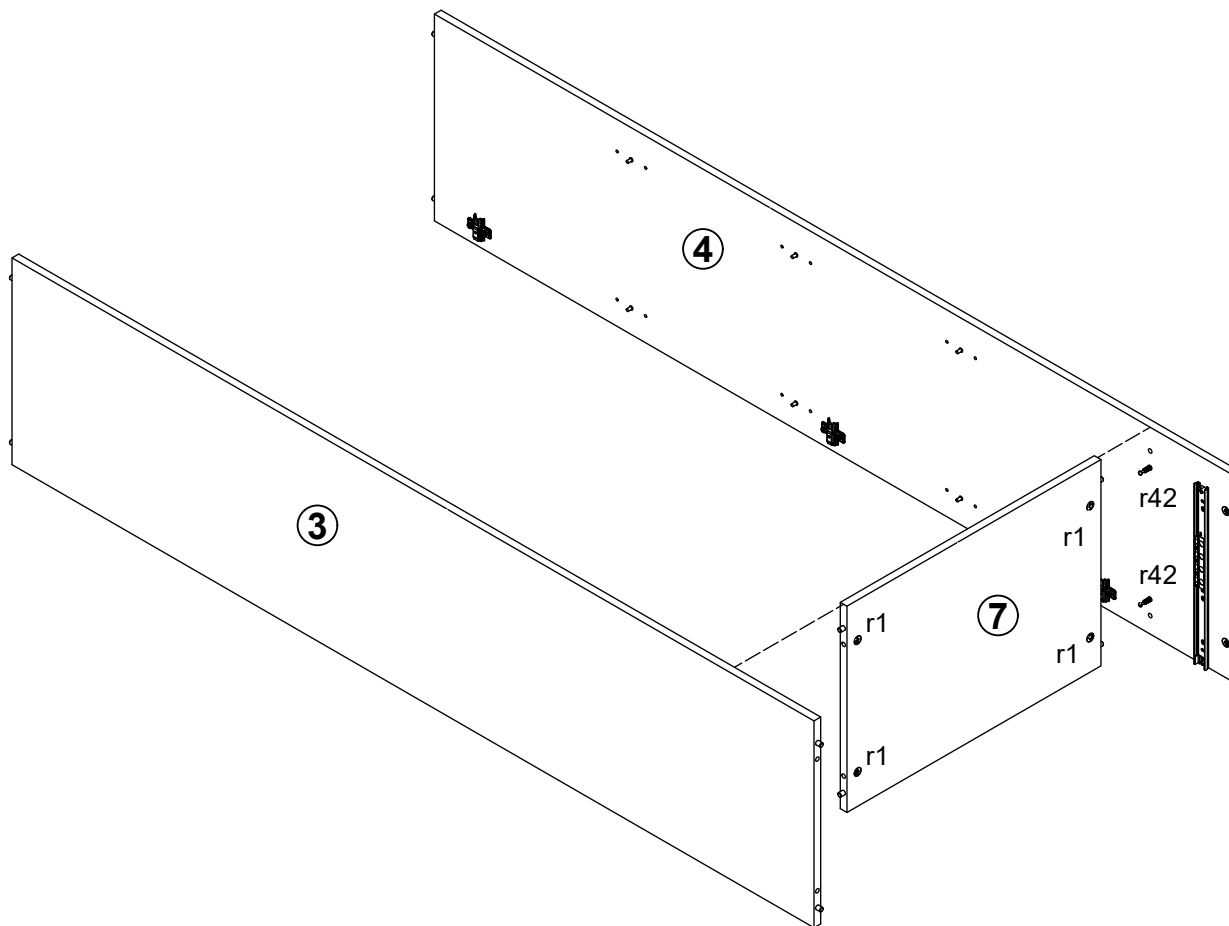
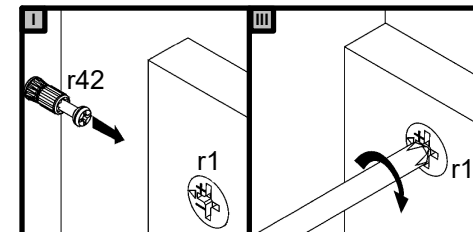
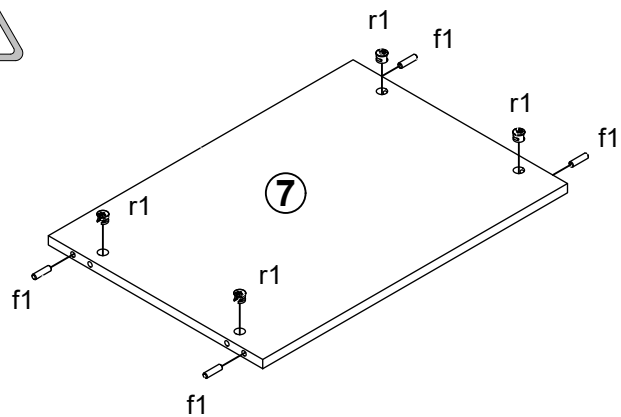
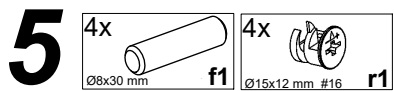


2

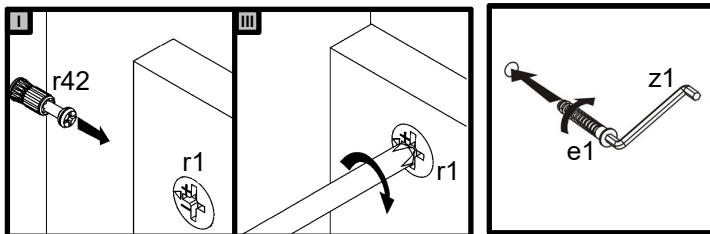
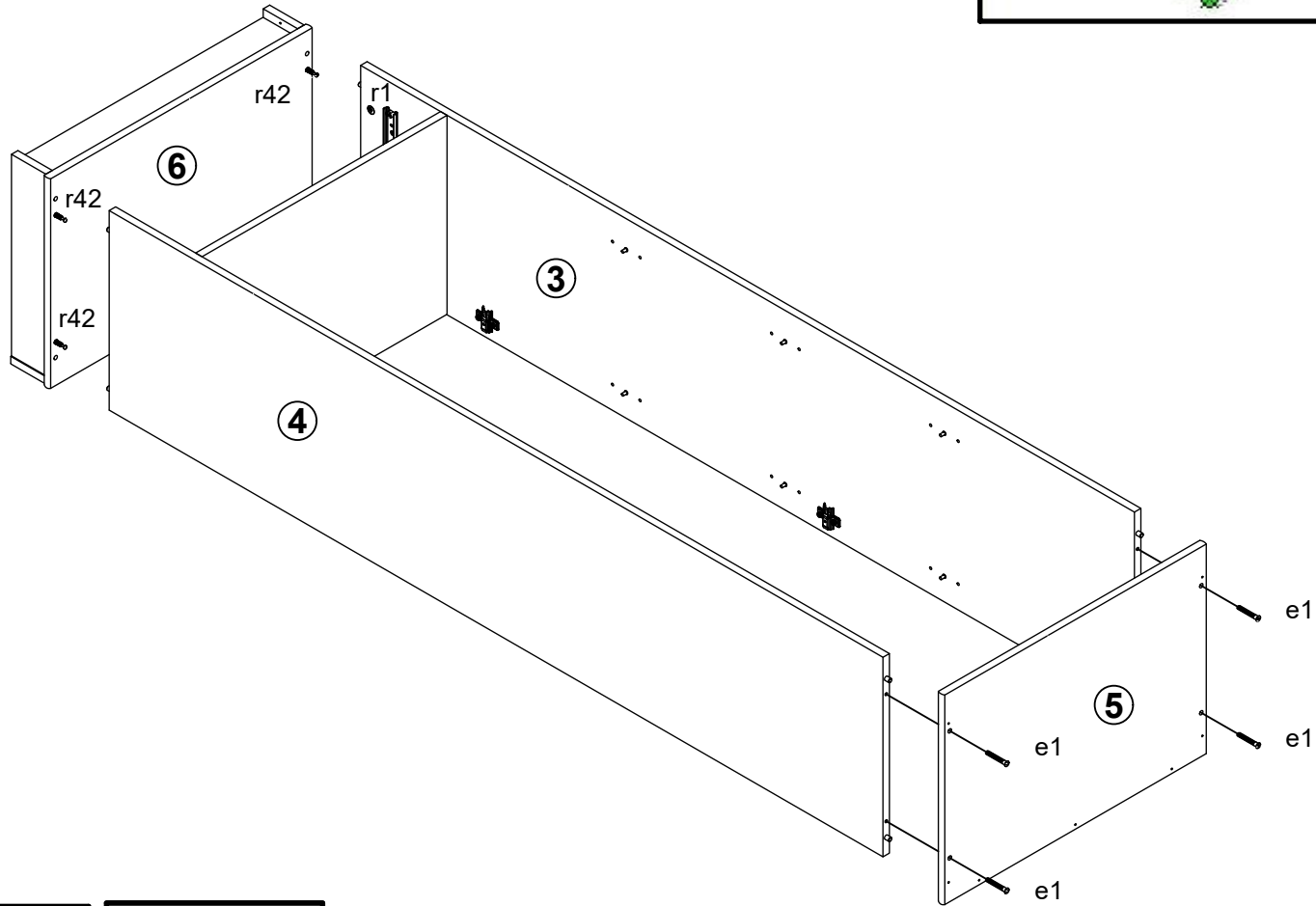
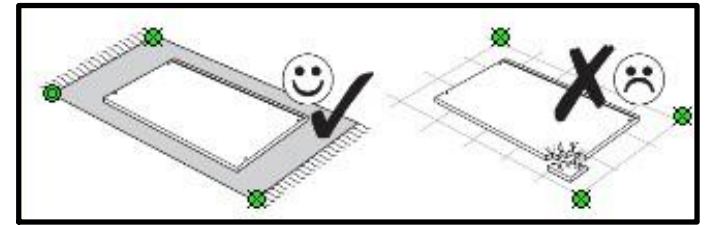
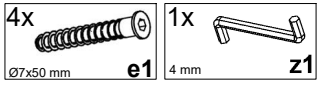




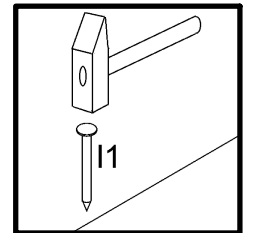
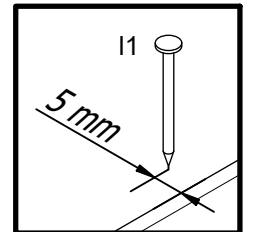
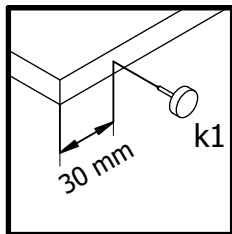
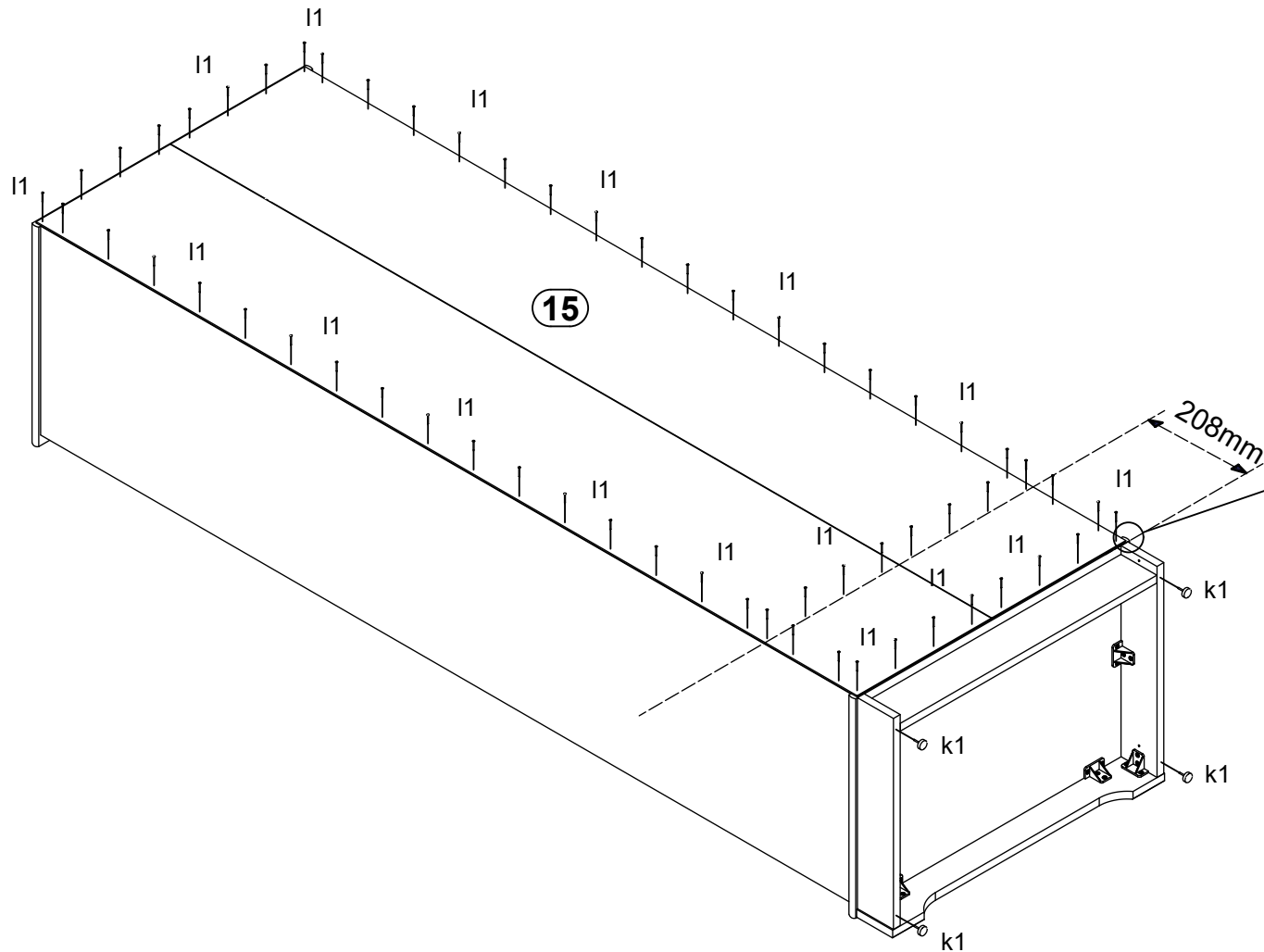
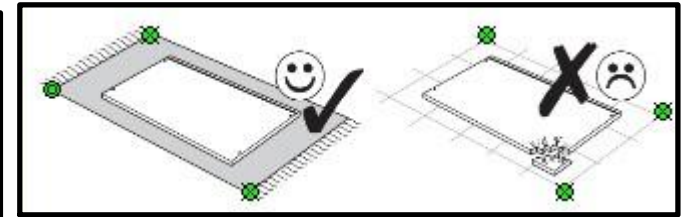
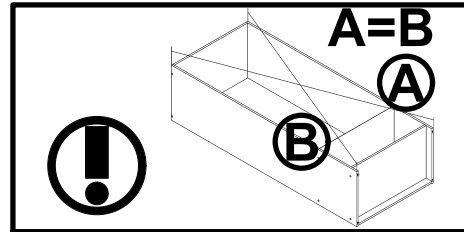
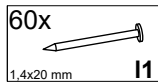
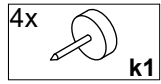




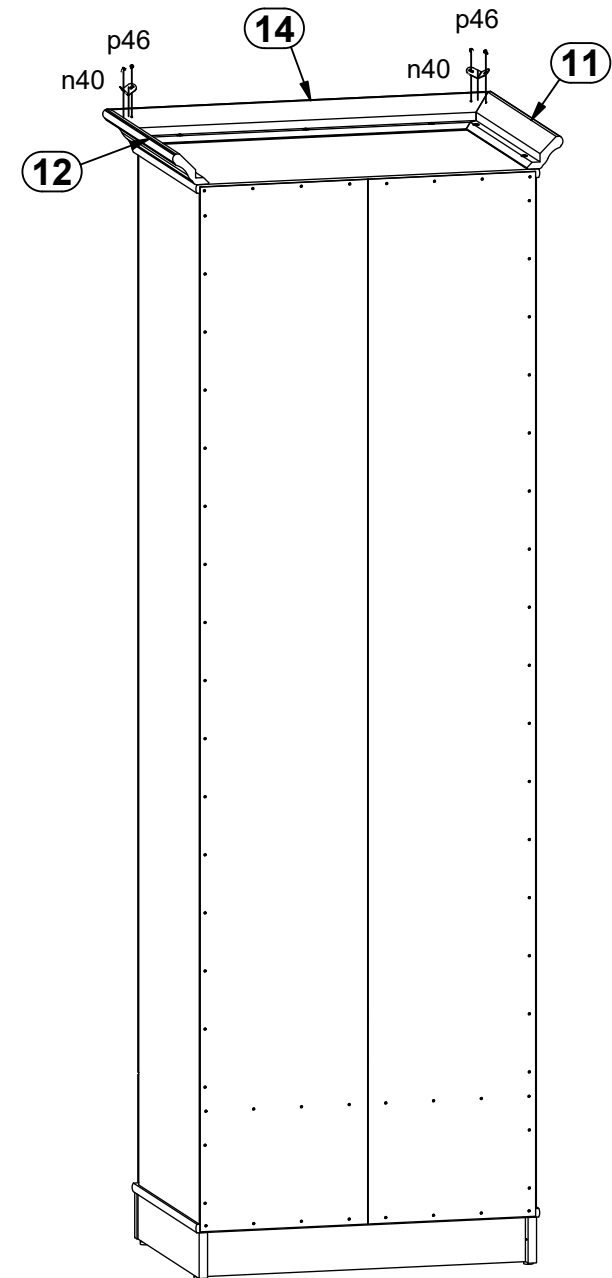
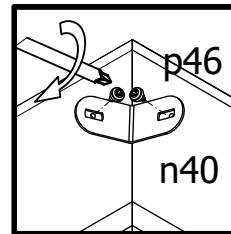
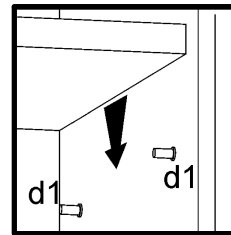
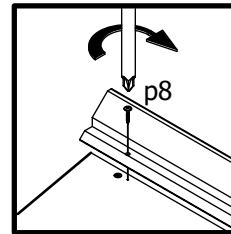
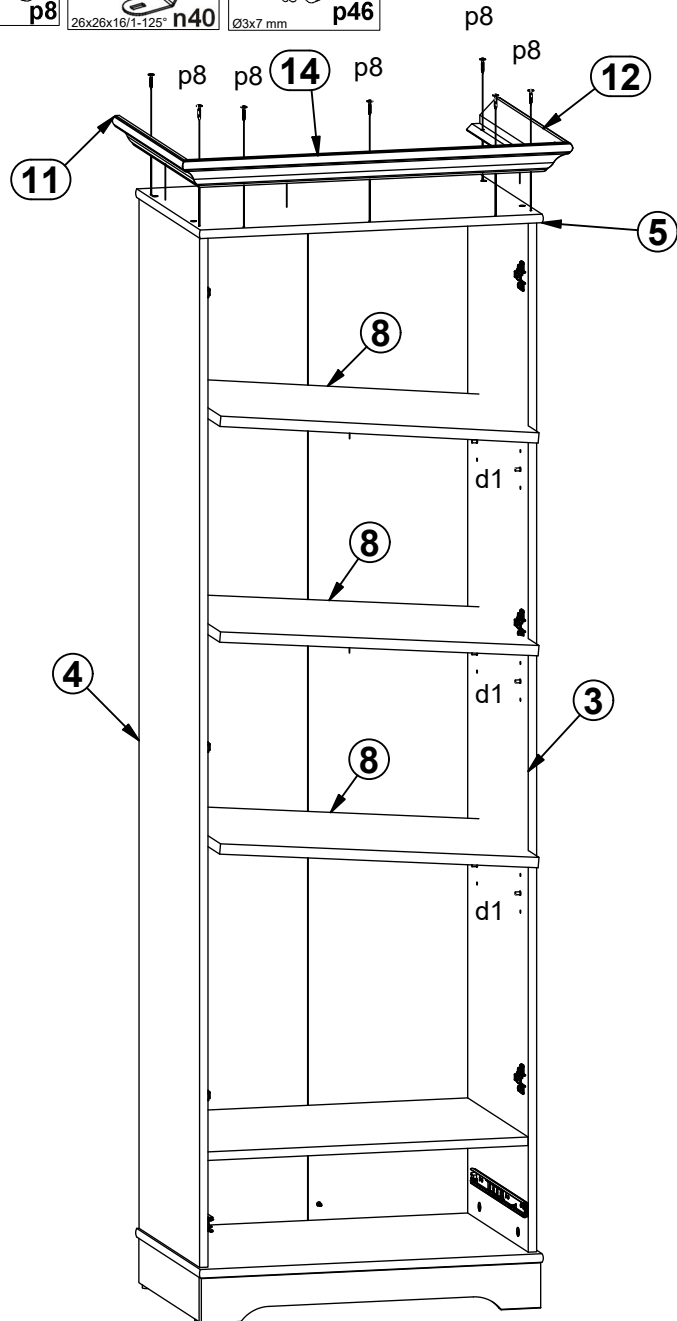
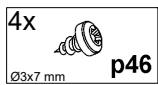
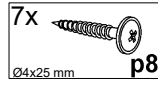
6




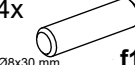



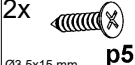
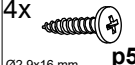
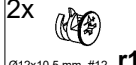
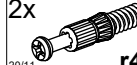
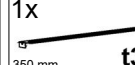

7

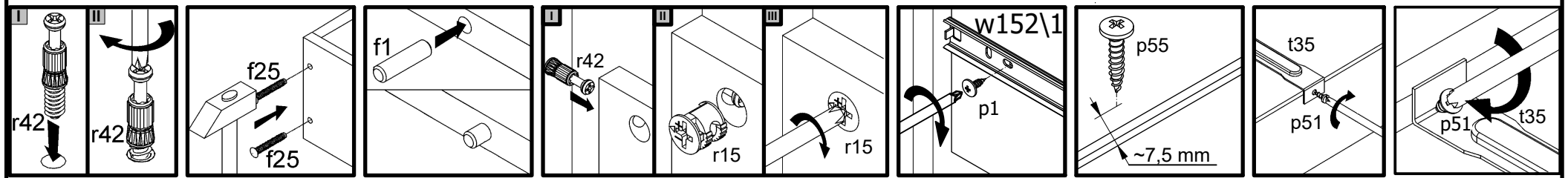
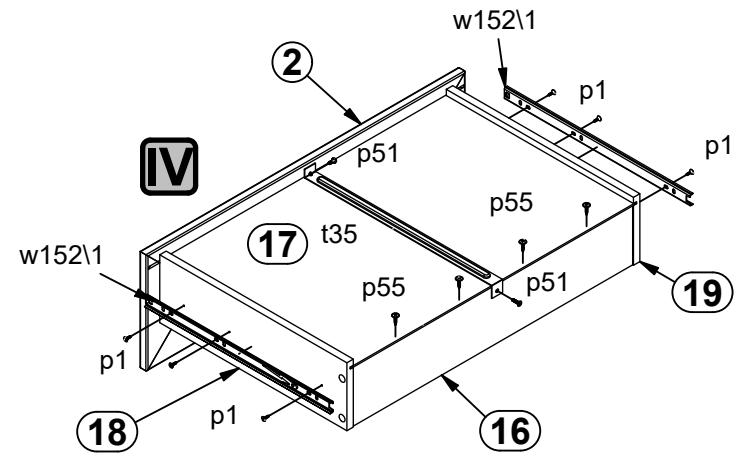
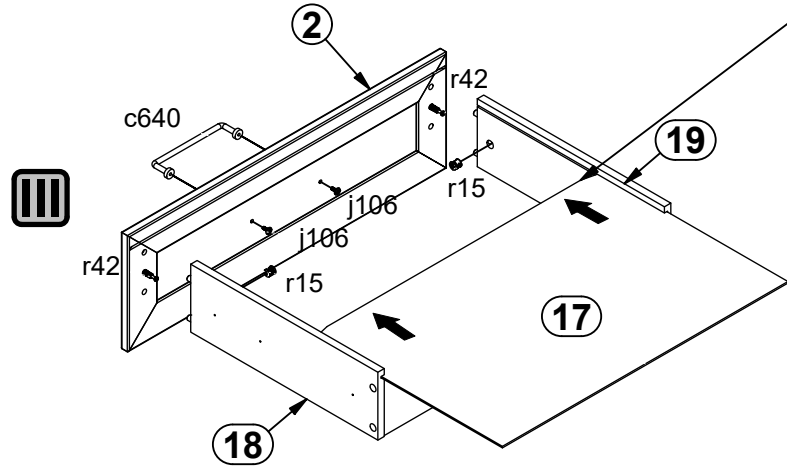
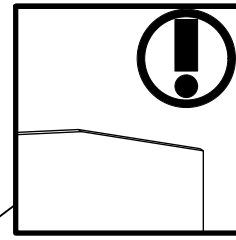
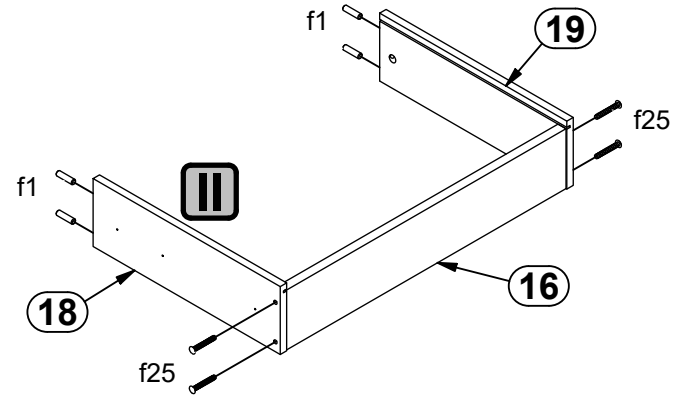
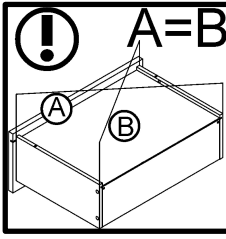
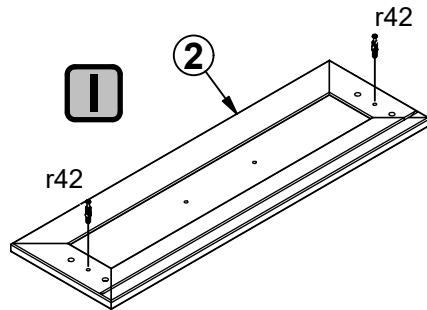


8



9

- 1x  c640
128 mm
- 4x  f1
Ø8x30 mm
- 4x  f25
Ø6,5x40 mm
- 2x  j106
M4x10 mm
- 6x  p1
Ø3,5x13 mm
- 2x  p51
Ø3,5x15 mm
- 4x  p55
Ø2,9x16 mm
- 2x  r15
Ø12x10,5 mm #12
- 2x  r42
20/11
- 1x  t35
350 mm
- 2x  w152\1
350/580 mm



10

