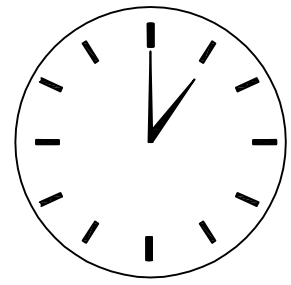
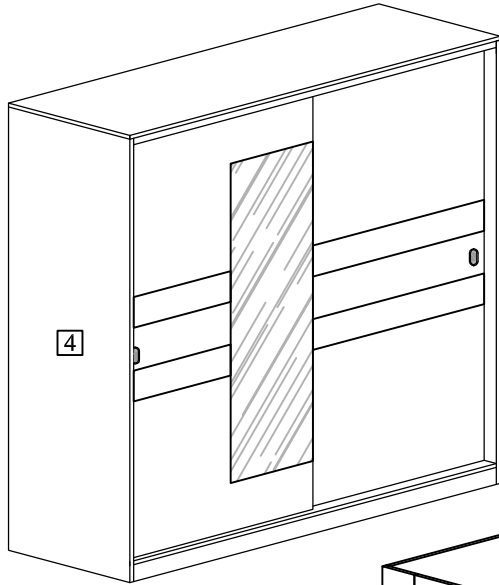
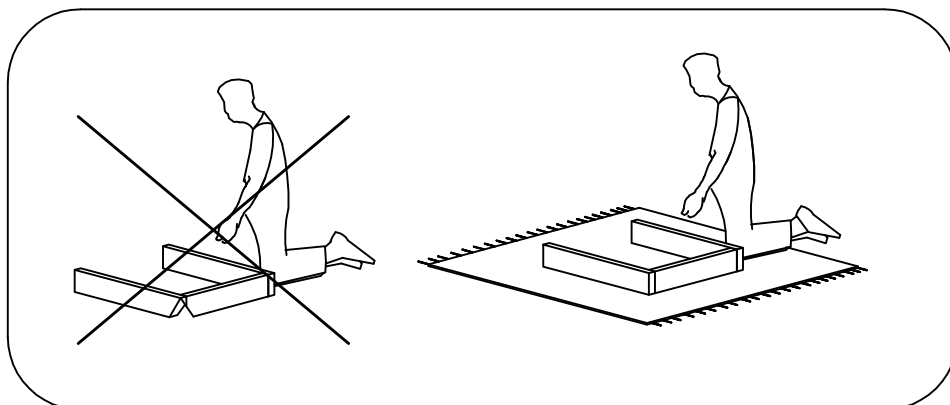
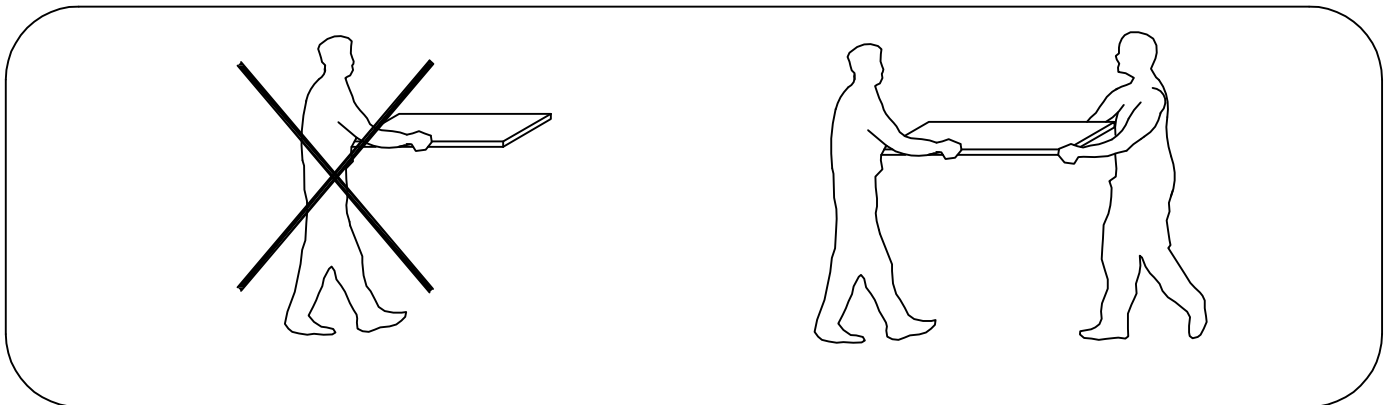
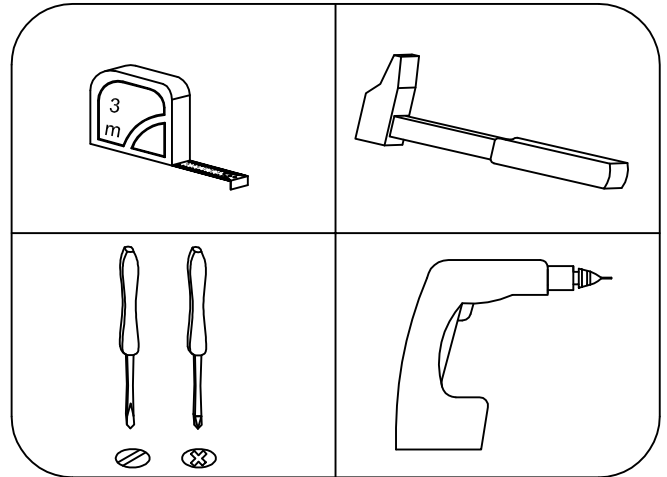
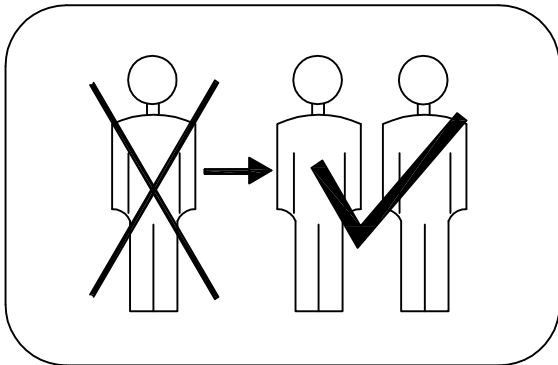
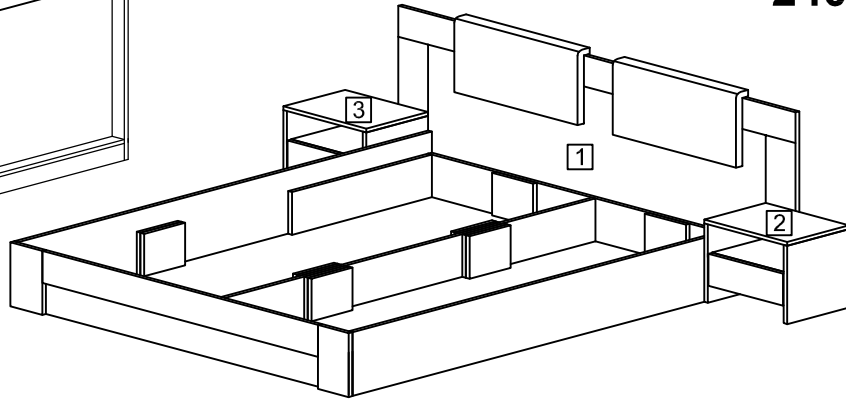


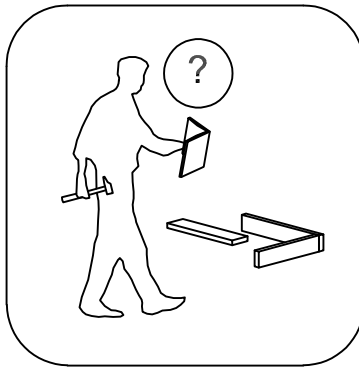
City 7024

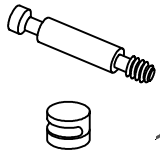
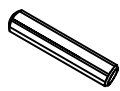
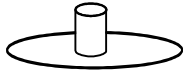
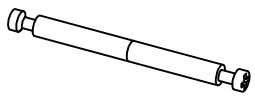
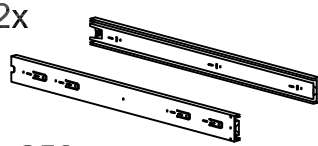
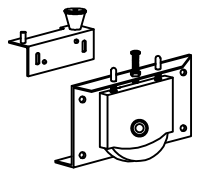
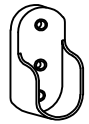
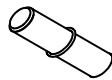
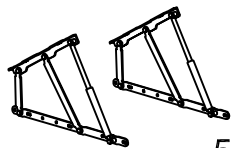

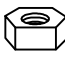

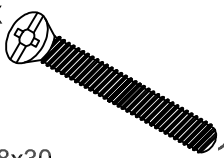
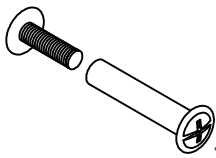
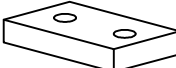
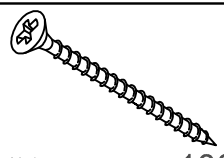
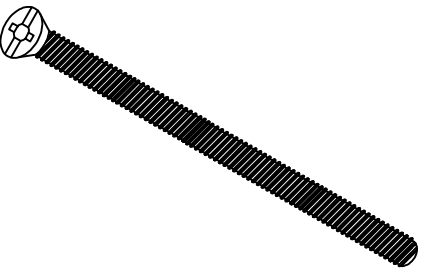
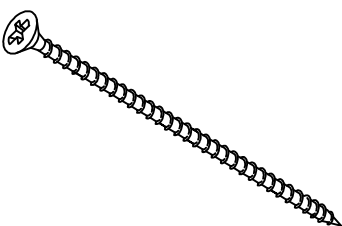


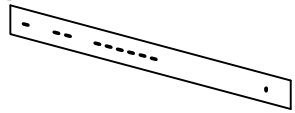
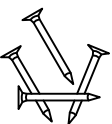


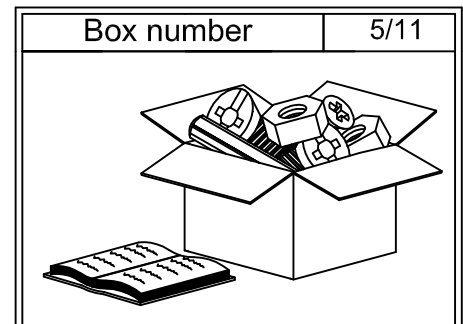
240 min.

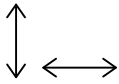


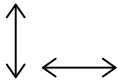
<http://www.irimbg.com/instructions/>

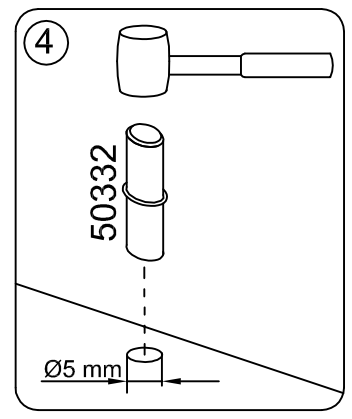
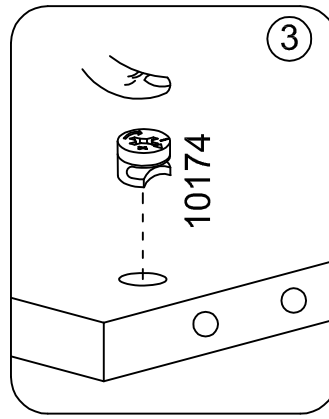
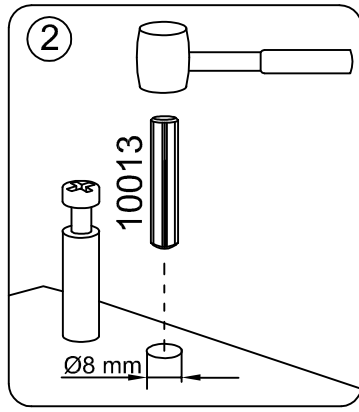
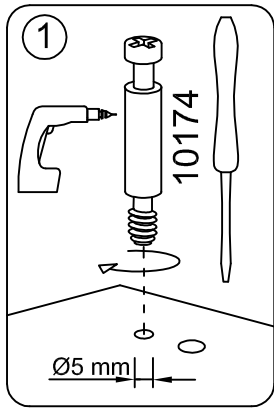


64x  10174	90x  Φ 8/30 10013	68x  50317	2x  10258
2x  L 250 mm 51773	2x  50657	4x  50011	12x  50332
1x  50350	8x  M 6,5 10032	8x  M 8 10092	4x  M 6 10030
8x  M 8x30 10212	4x  10037	23x  50246	60x  Φ 3,5/30 10004
4x  M 6x60 10051	4x  M 6x50 10065	46x  Φ 3,5/20 10002	92x  Φ 3,5/16 10001
1x  template 80847	 10033		

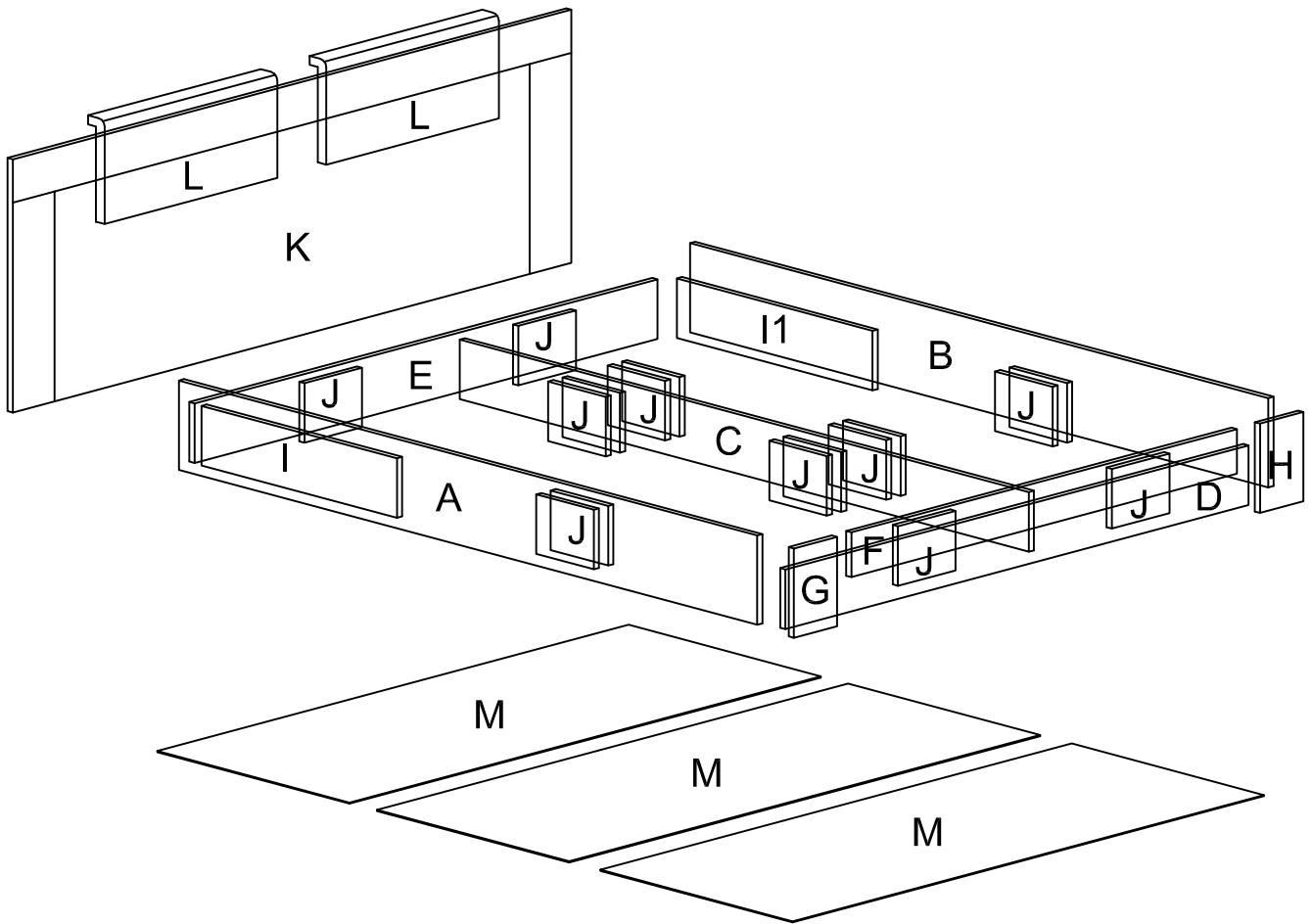


		Box number
A	2010x300	1/11
B	2010x300	1/11
C	1978x200	1/11
D	1610x200	2/11
E	1610x200	2/11
F	1340x150	2/11
G	300x150	2/11
H	300x150	2/11
I,I1	2x 680x200	2/11
J	16x 200x200	2/11
K	1942x850	3/11
L	2x 600x350	4/11
M	3x 668x1638	3/11
N	2x 368x300	5/11
O	2x 368x300	5/11
P	2x 400x300	5/11
Q	2x 368x280	5/11
R	2x 368x100	5/11

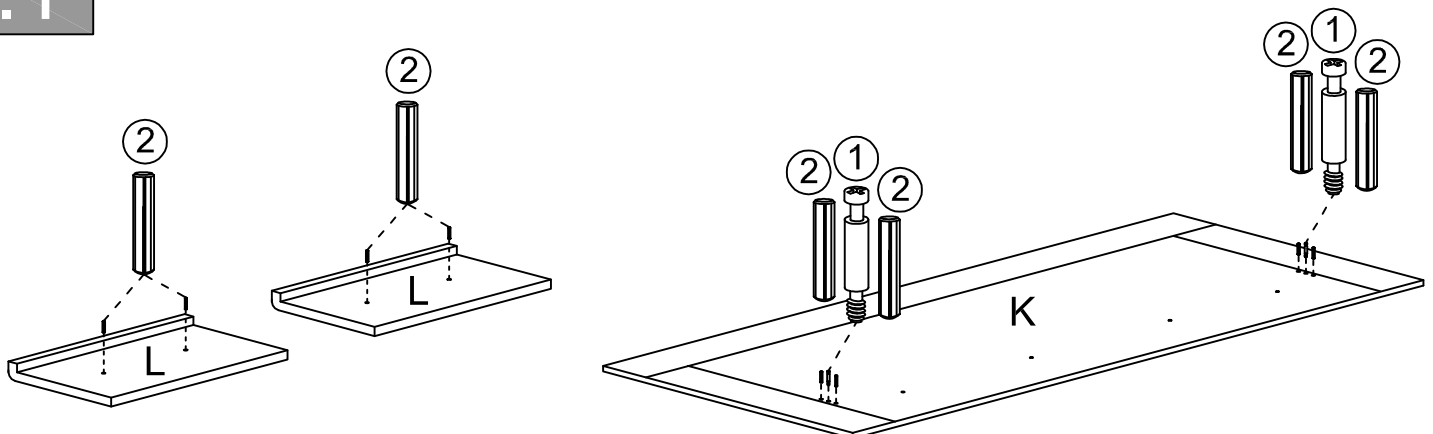
		Box number
S	2x 165x395	5/11
T	4x 311x90	5/11
U	4x 250x90	5/11
V	2x 340x245	5/11
W	2x 150x362	5/11
X	2084x590	6/11
Y	2084x590	6/11
Z	1988x500	7/11
AA	1800x590	8/11
AB	1768x590	8/11
AC	2x 876x500	7/11
AD	3x 876x500	9/11
AE	570x80	8/11
AF	1768x80	8/11
AG	4x 1005x895	10/11
AH	1956x900	11/11
AI	1956x900	10/11

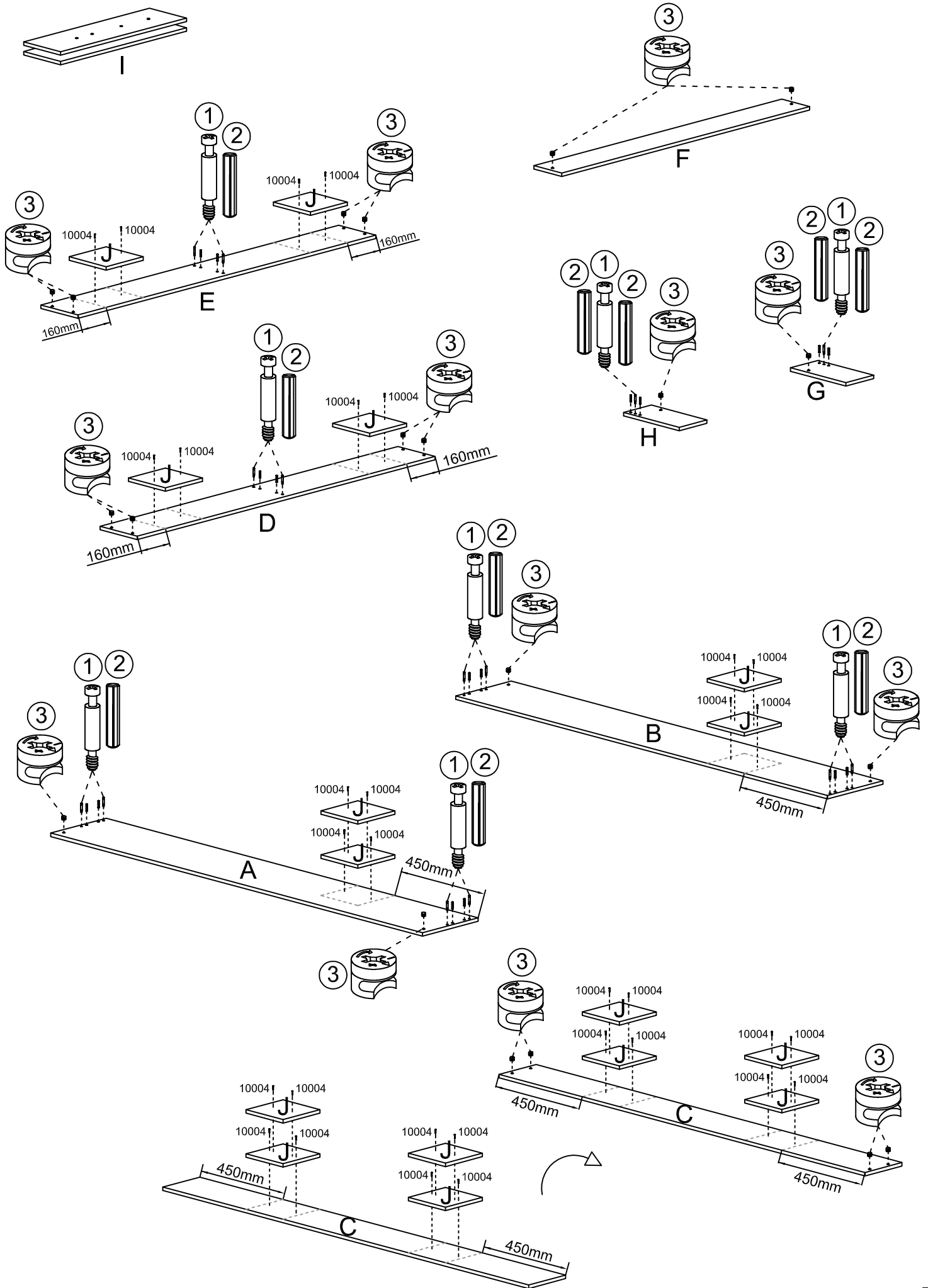


1

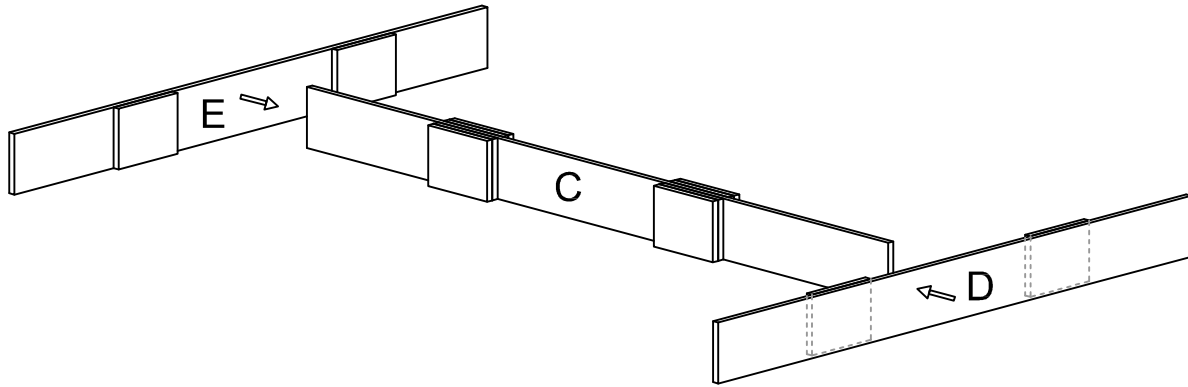
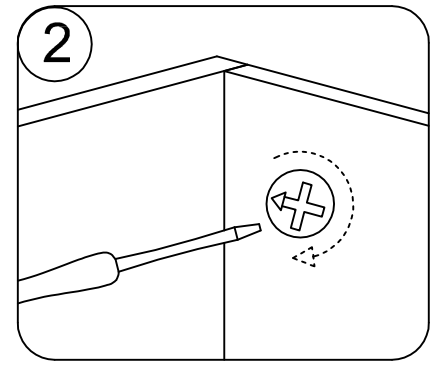
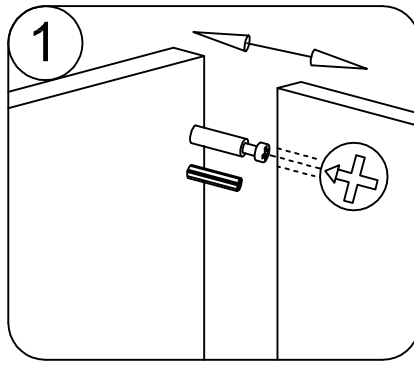


1.1

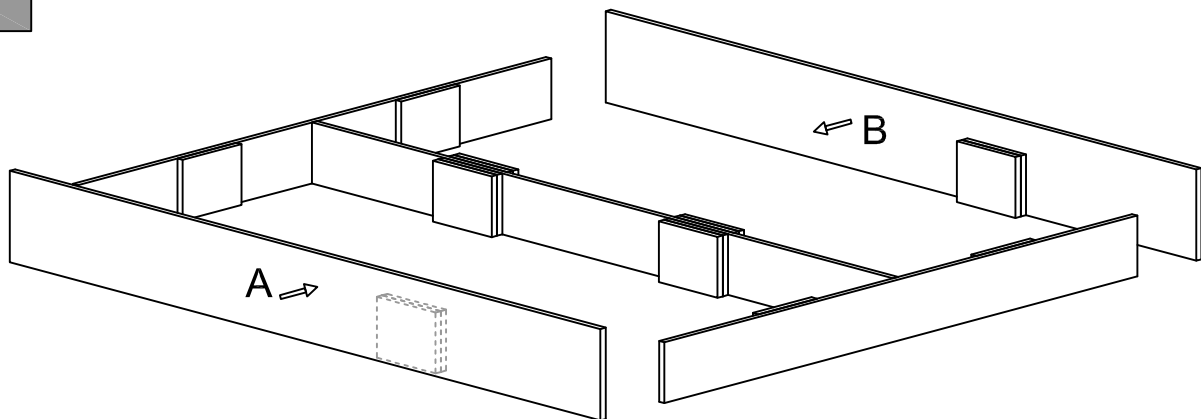




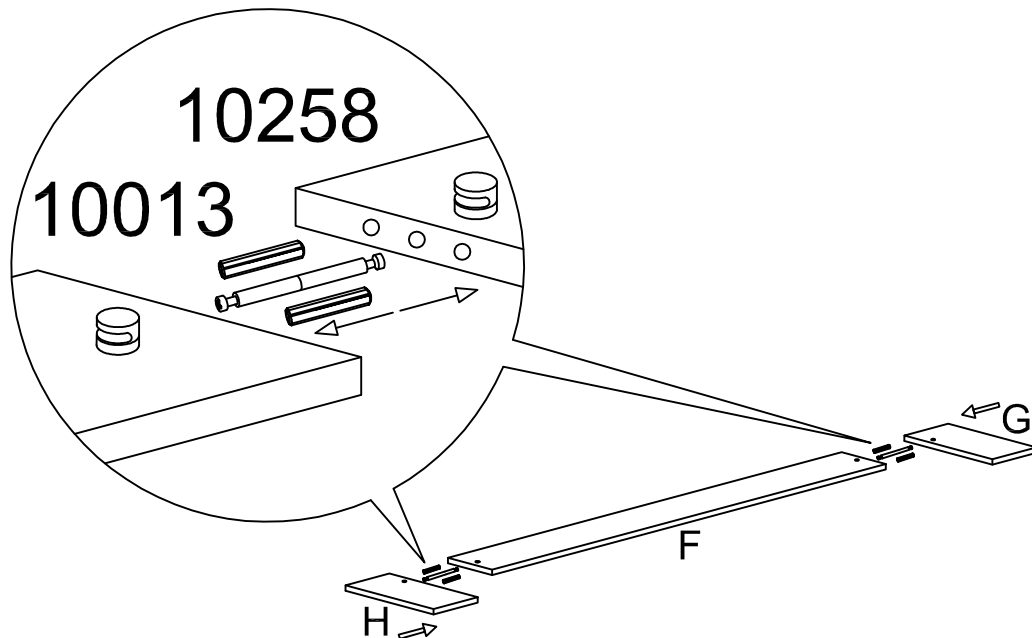
1.2



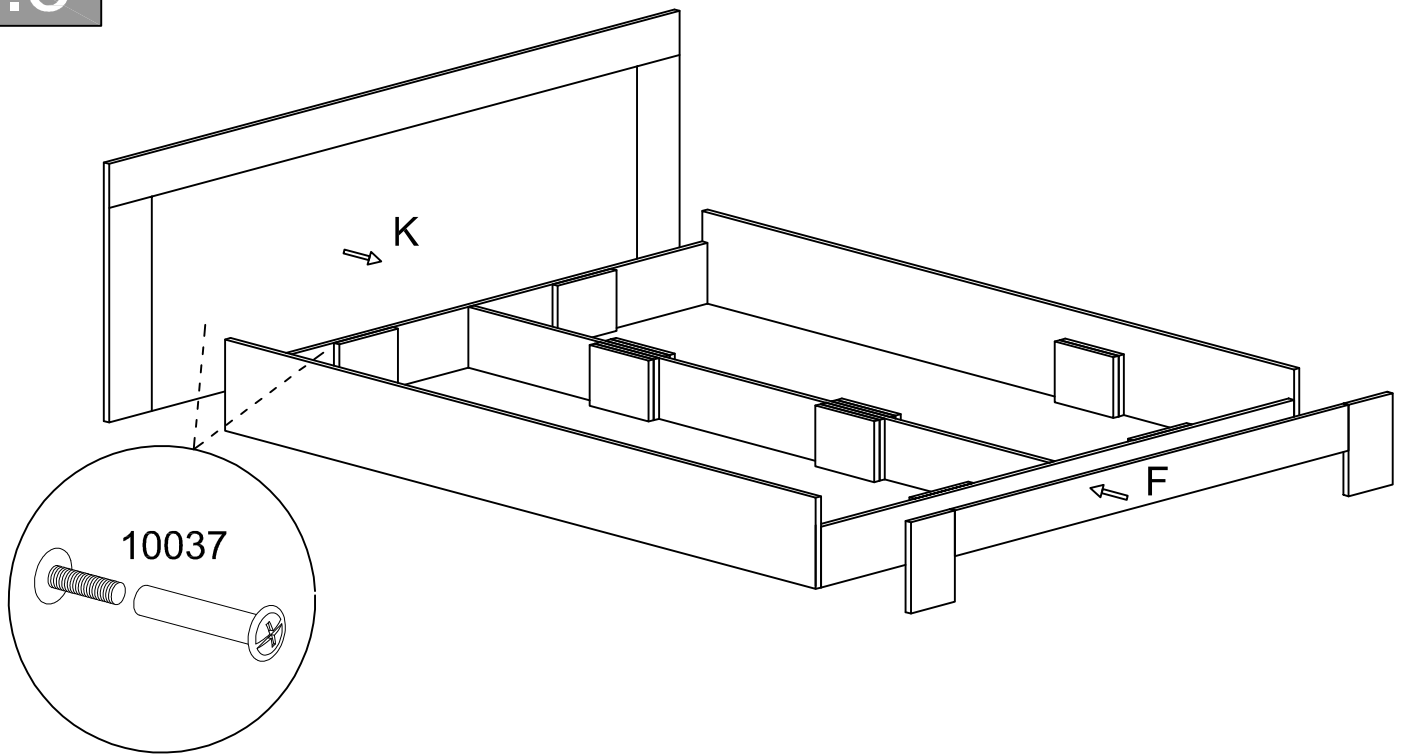
1.3



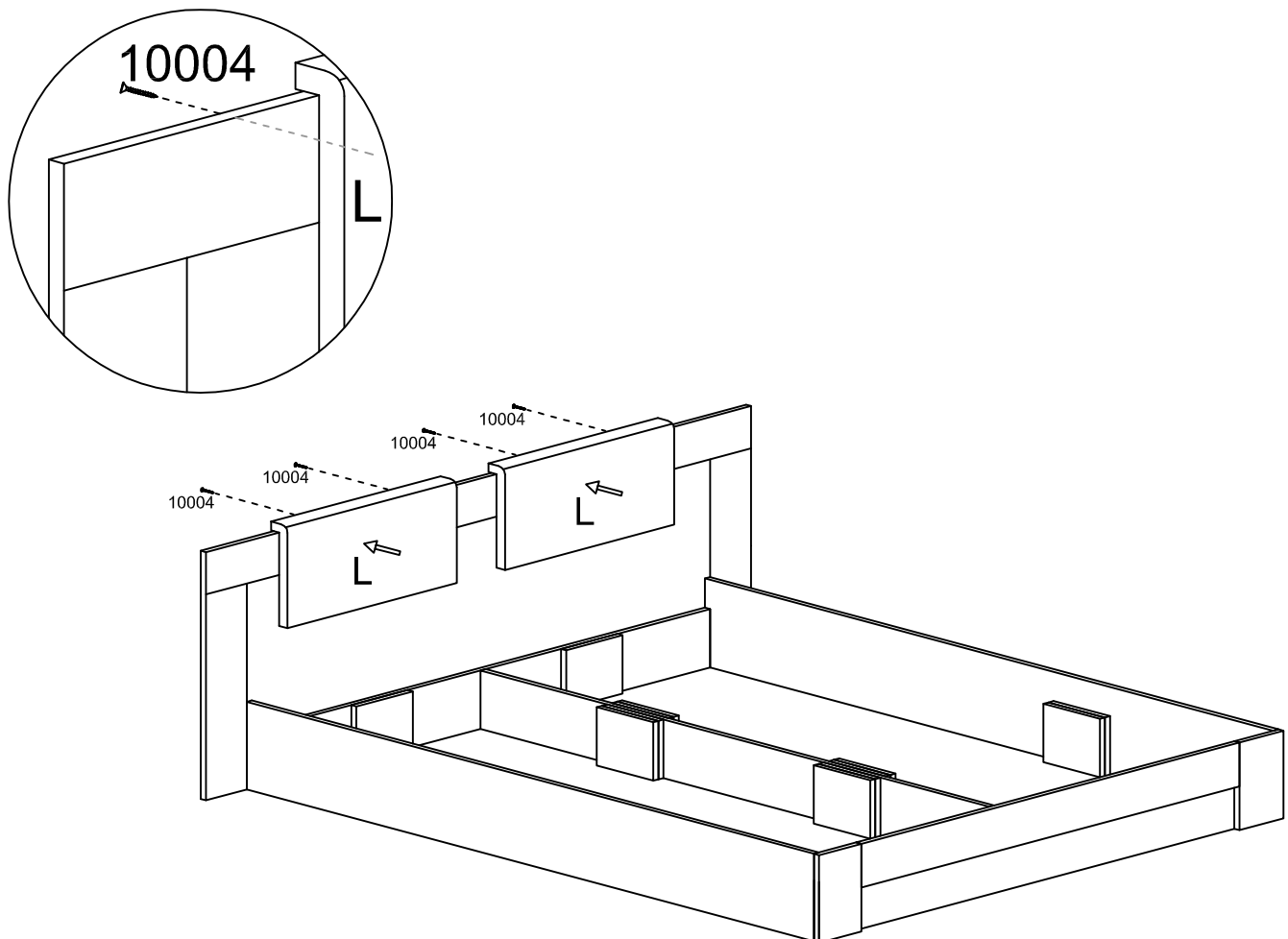
1.4



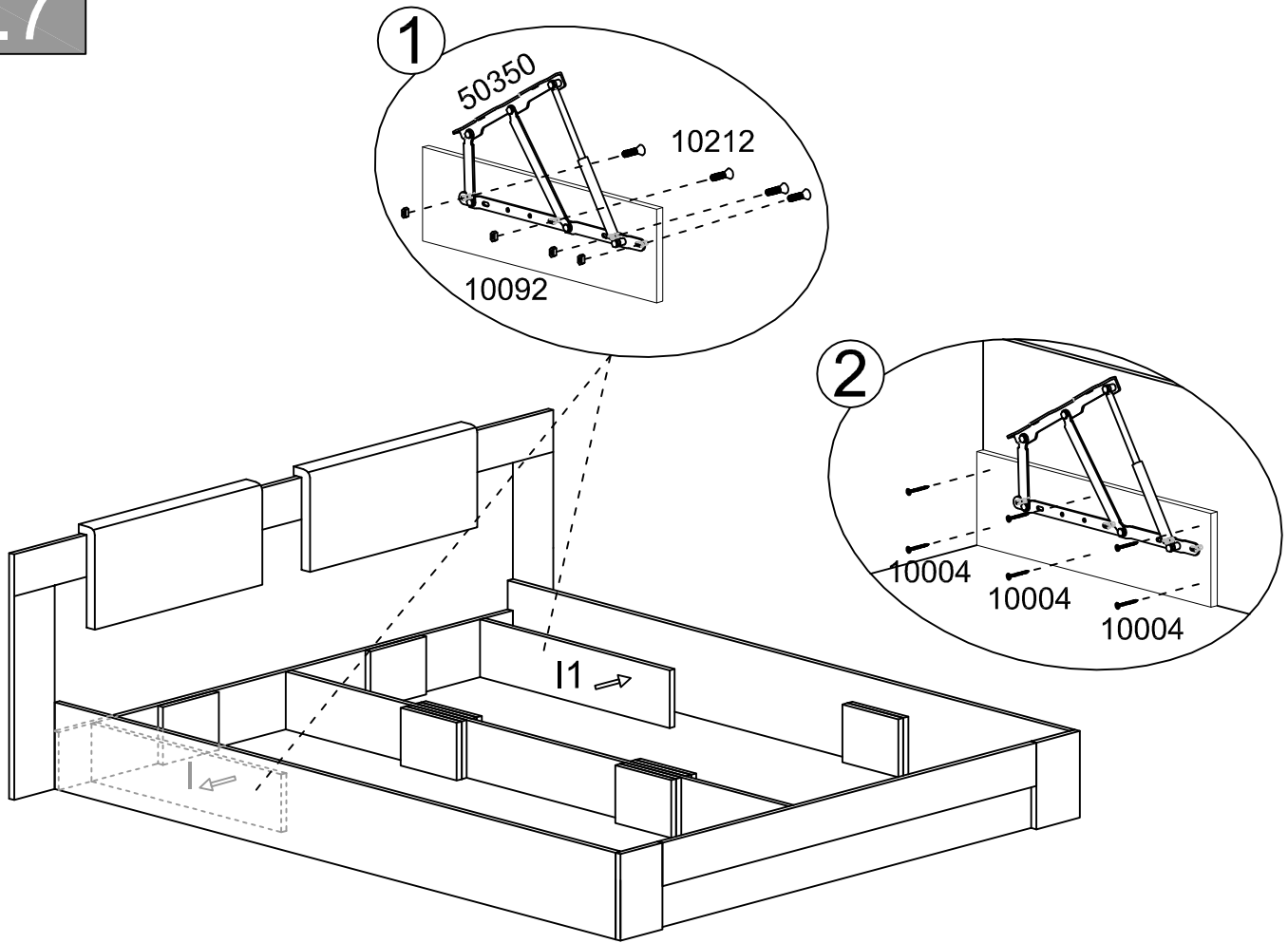
1.5



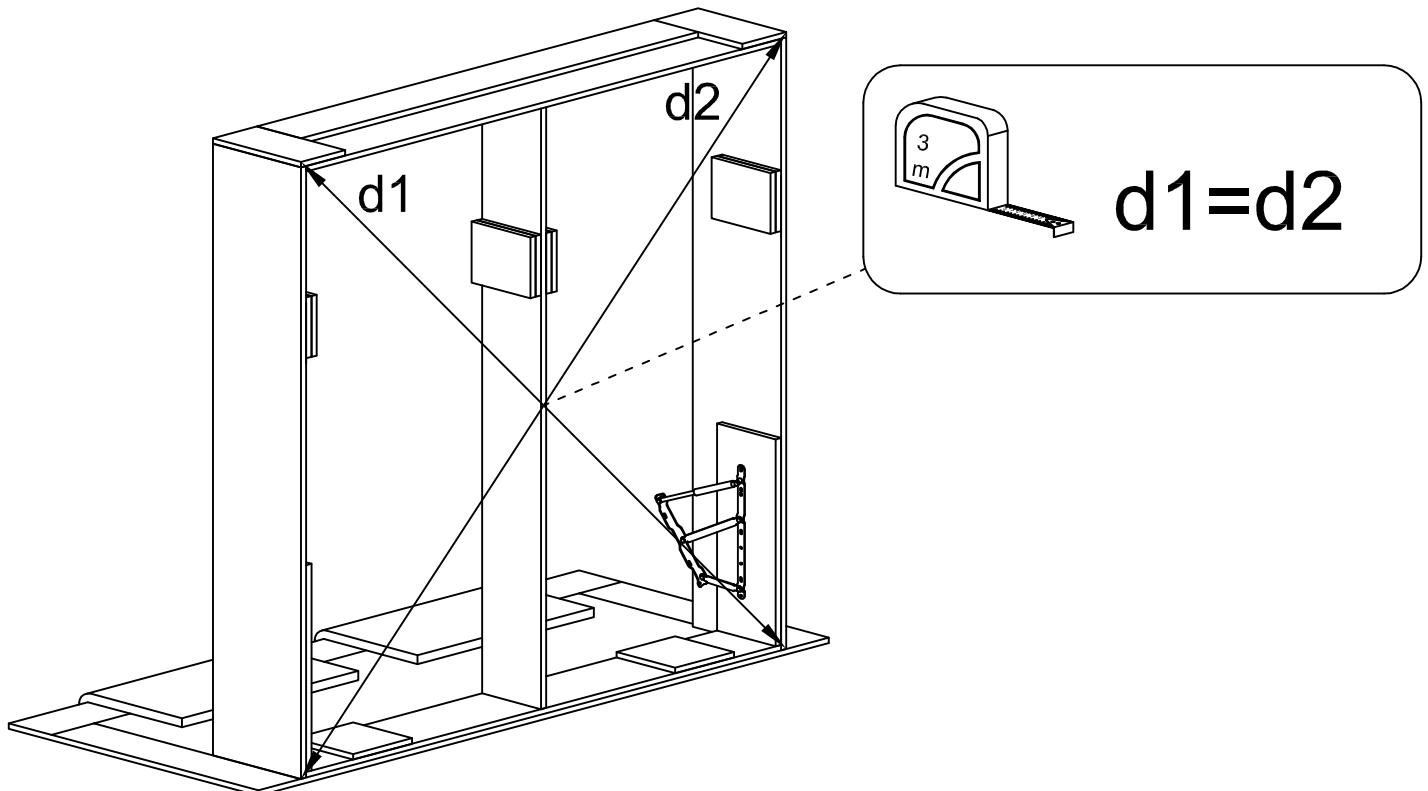
1.6

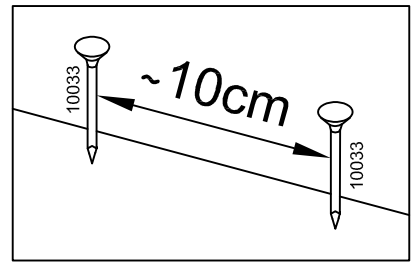


1.7

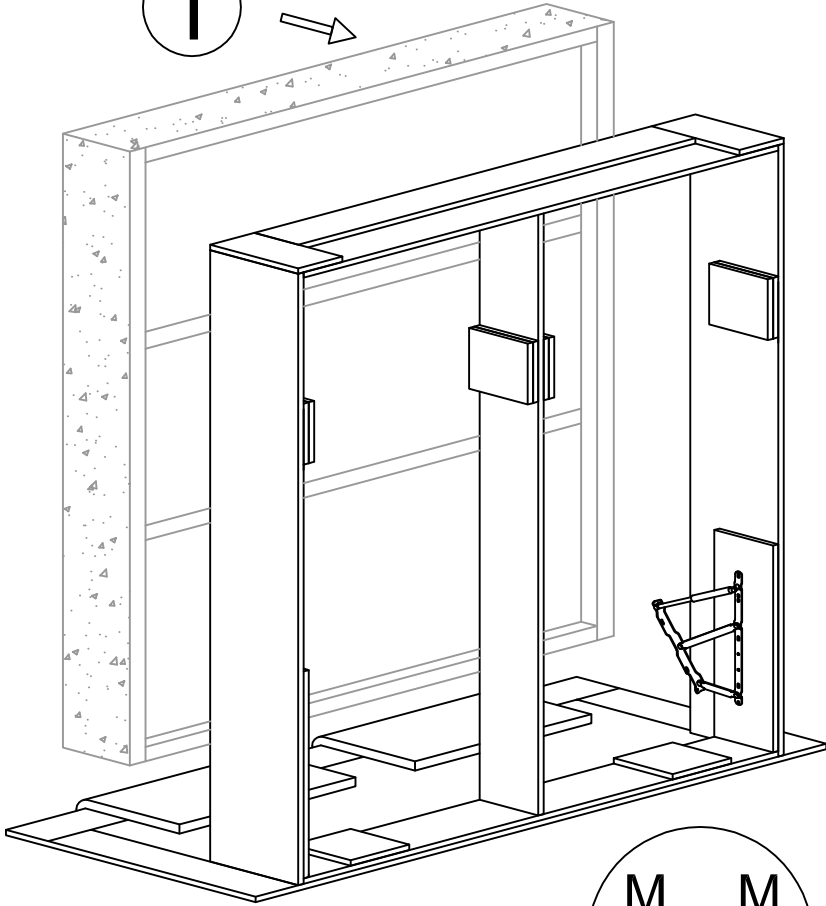


1.8

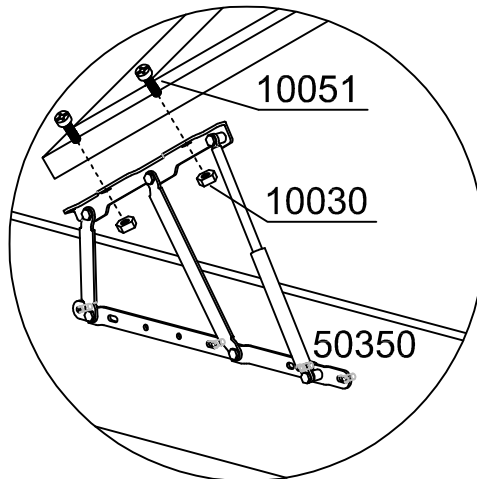
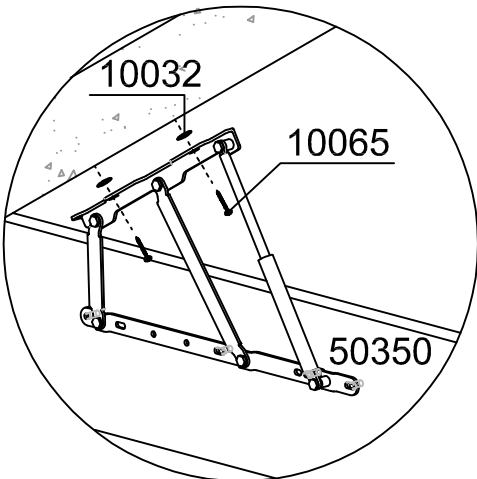
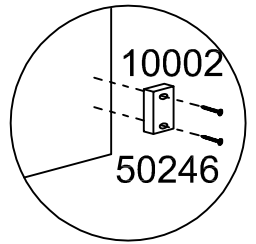
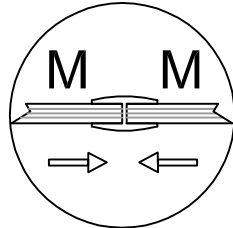
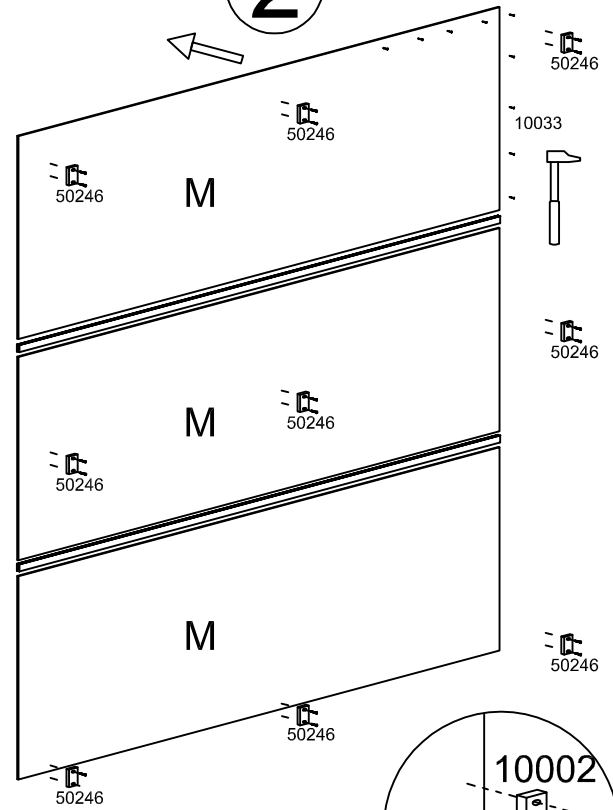




1

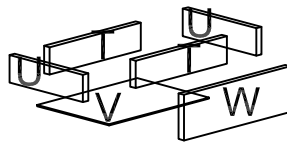
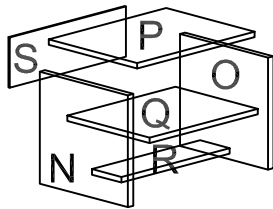


2



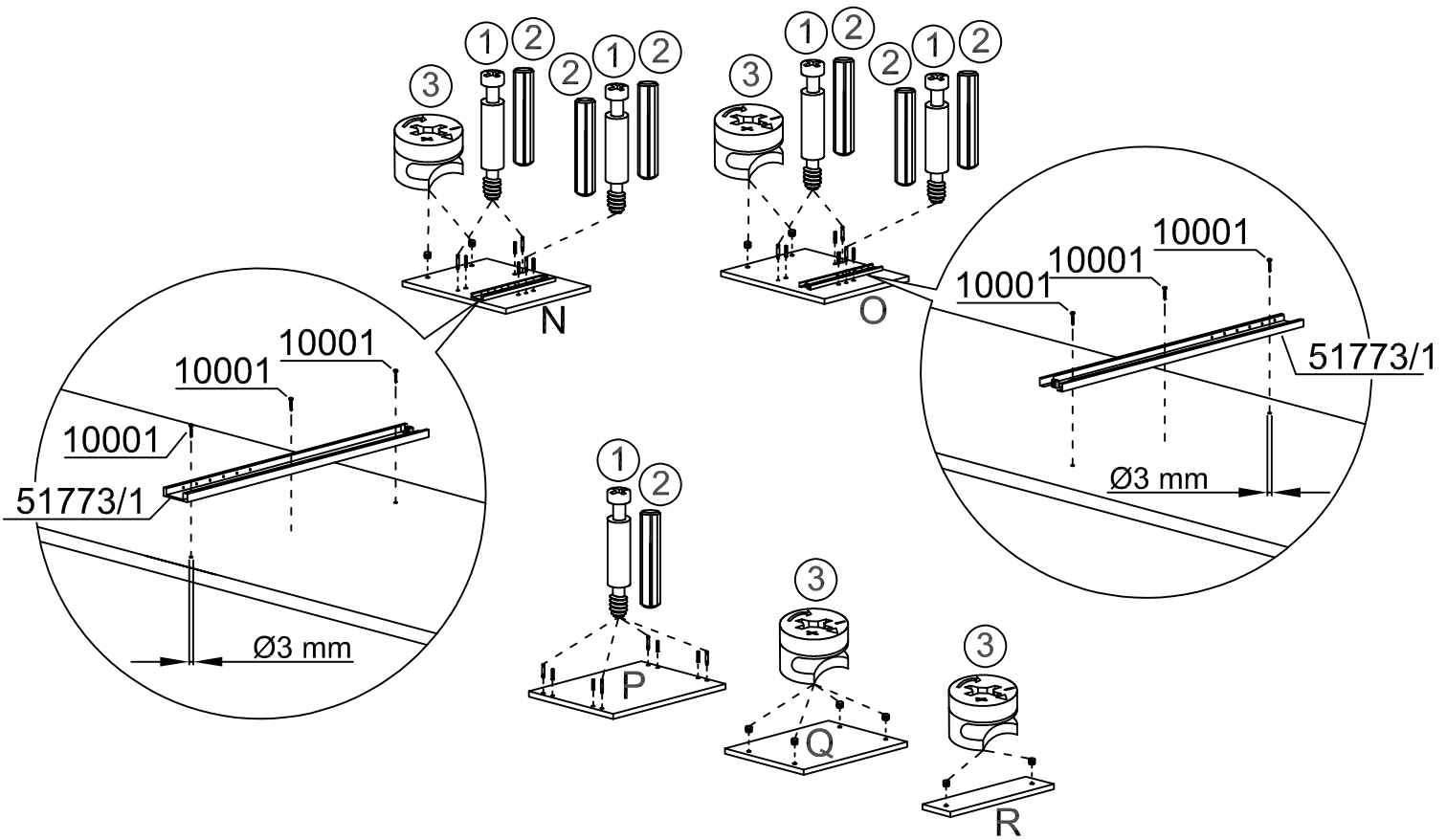
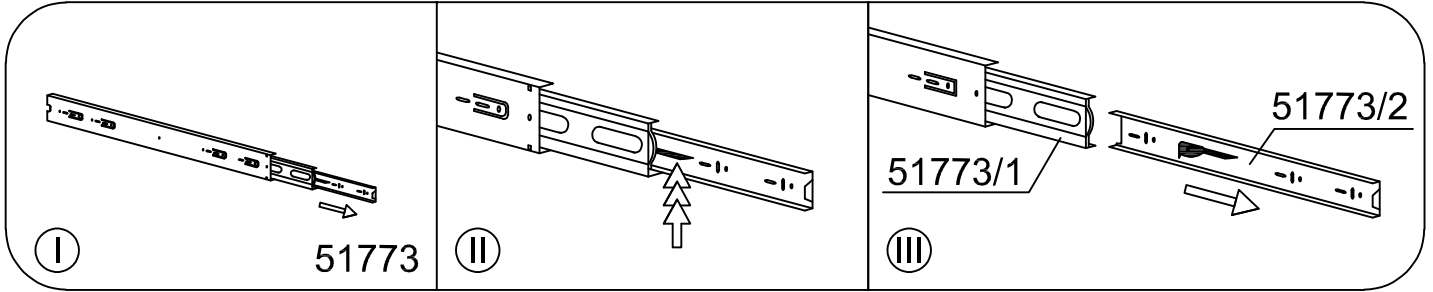
2

3



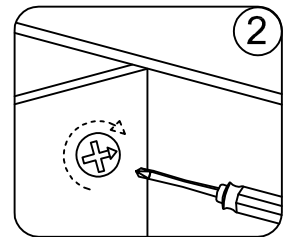
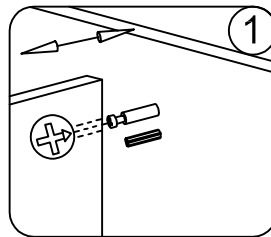
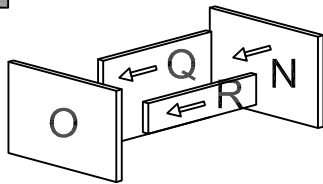
2.1

3.1



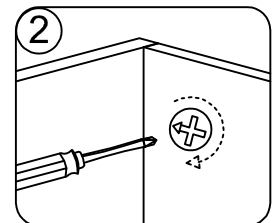
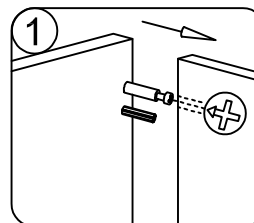
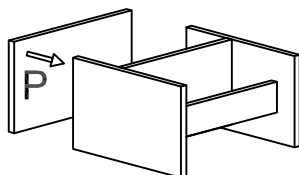
2.2

3.2



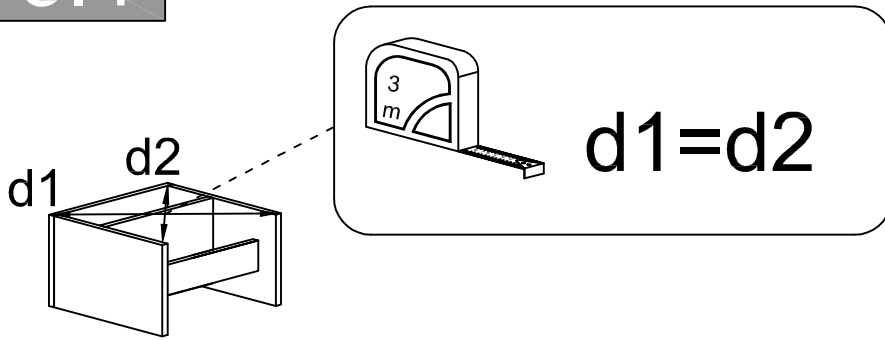
2.3

3.3



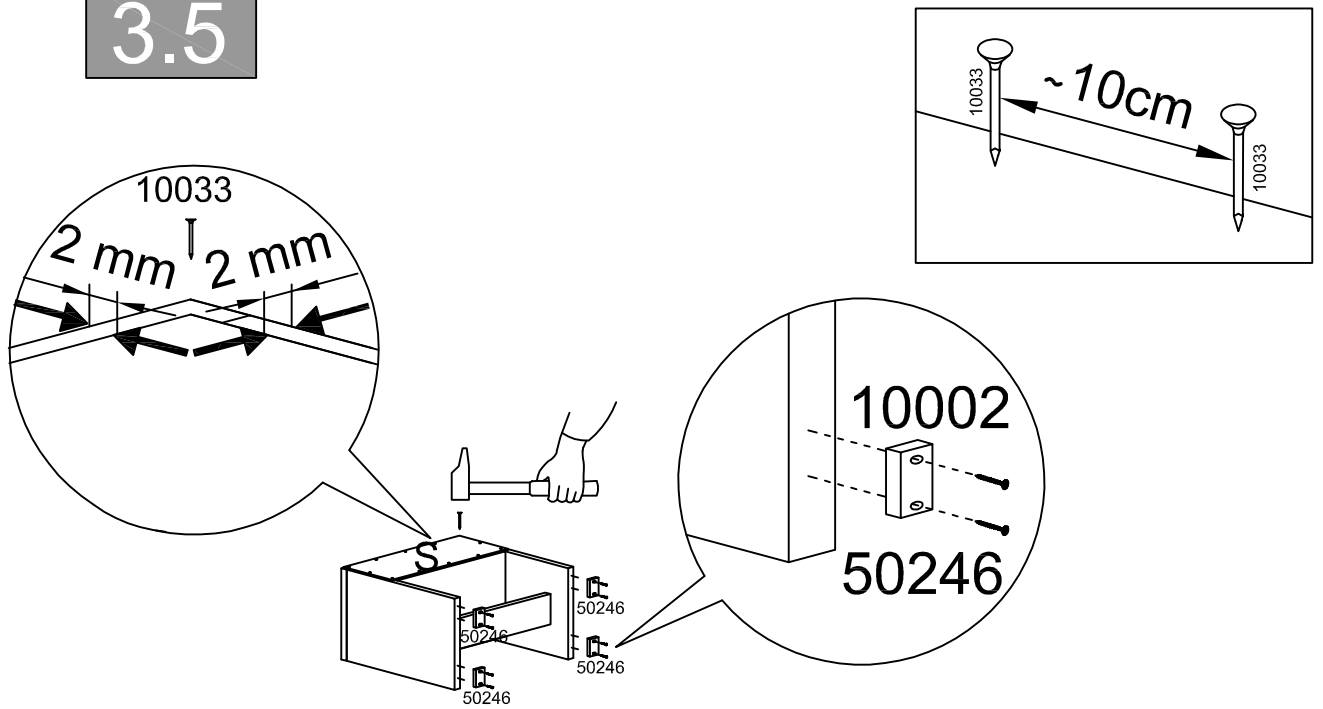
2.4

3.4



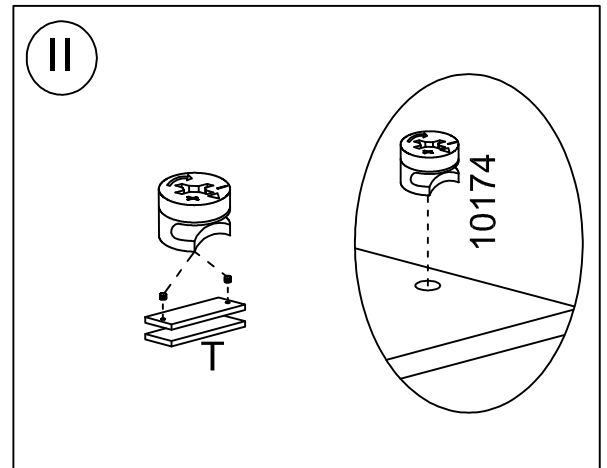
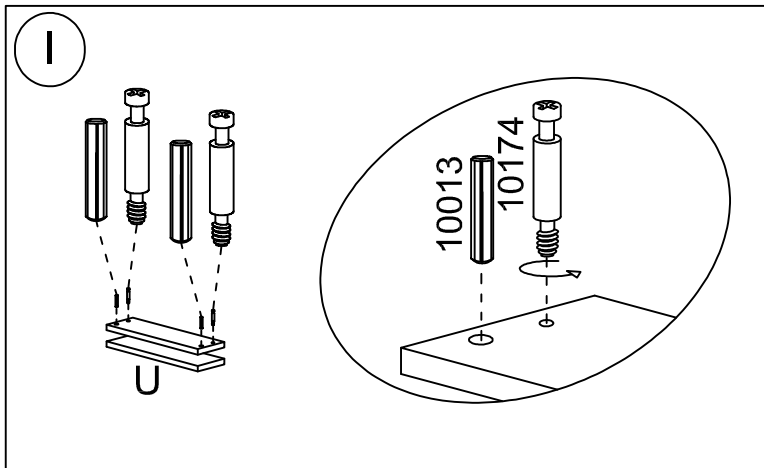
2.5

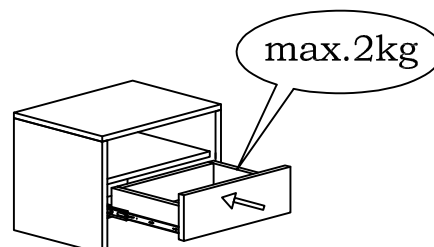
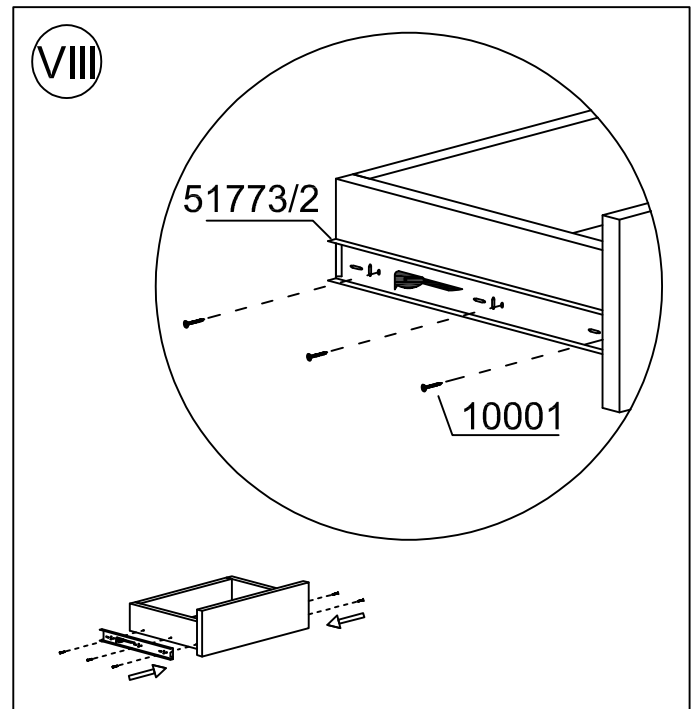
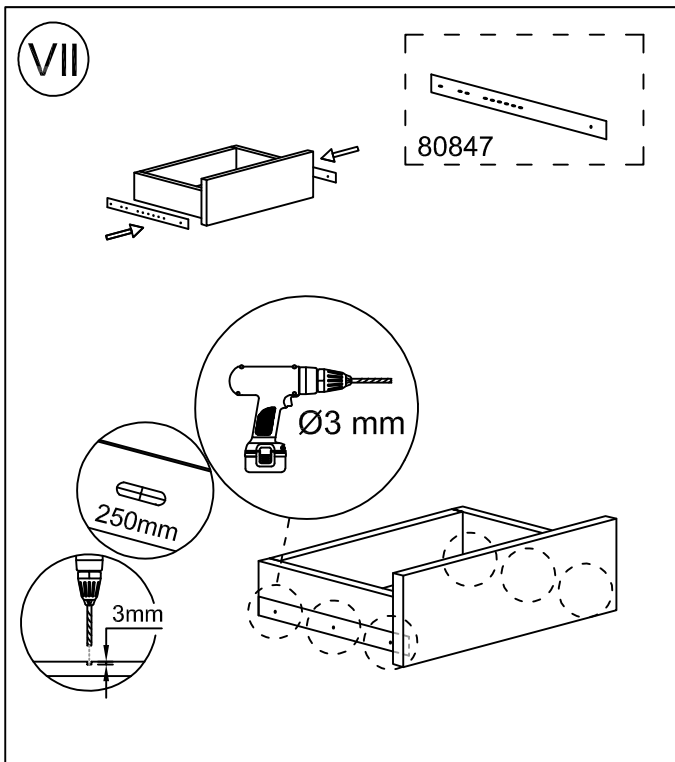
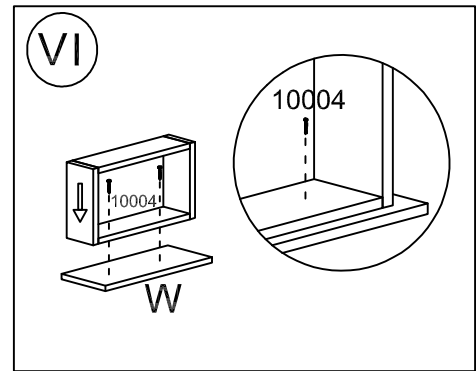
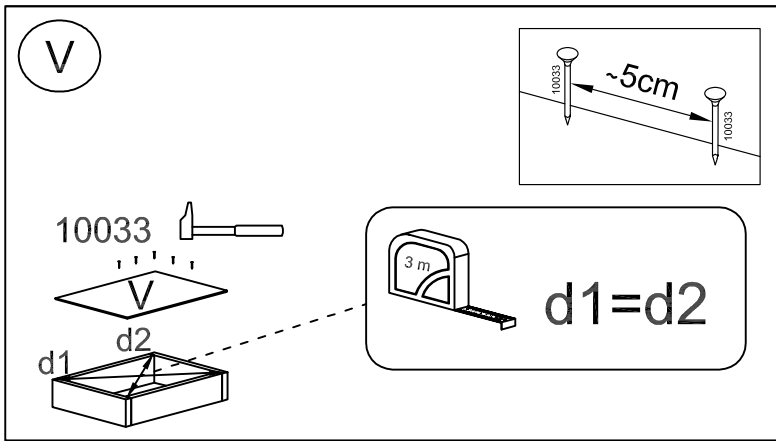
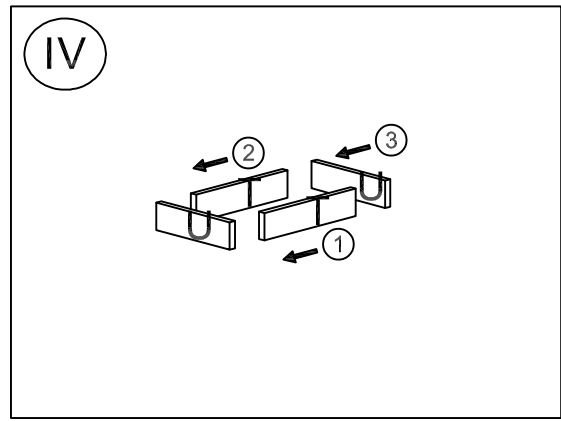
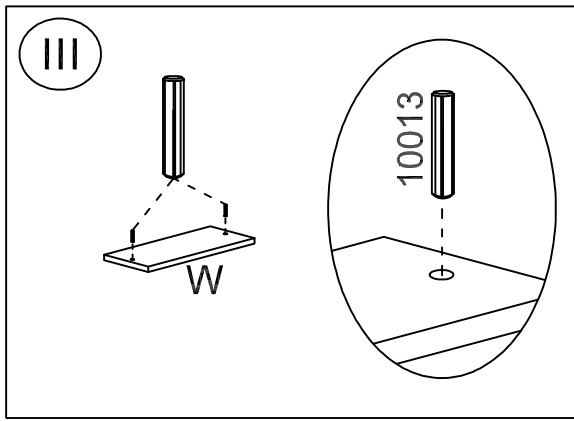
3.5



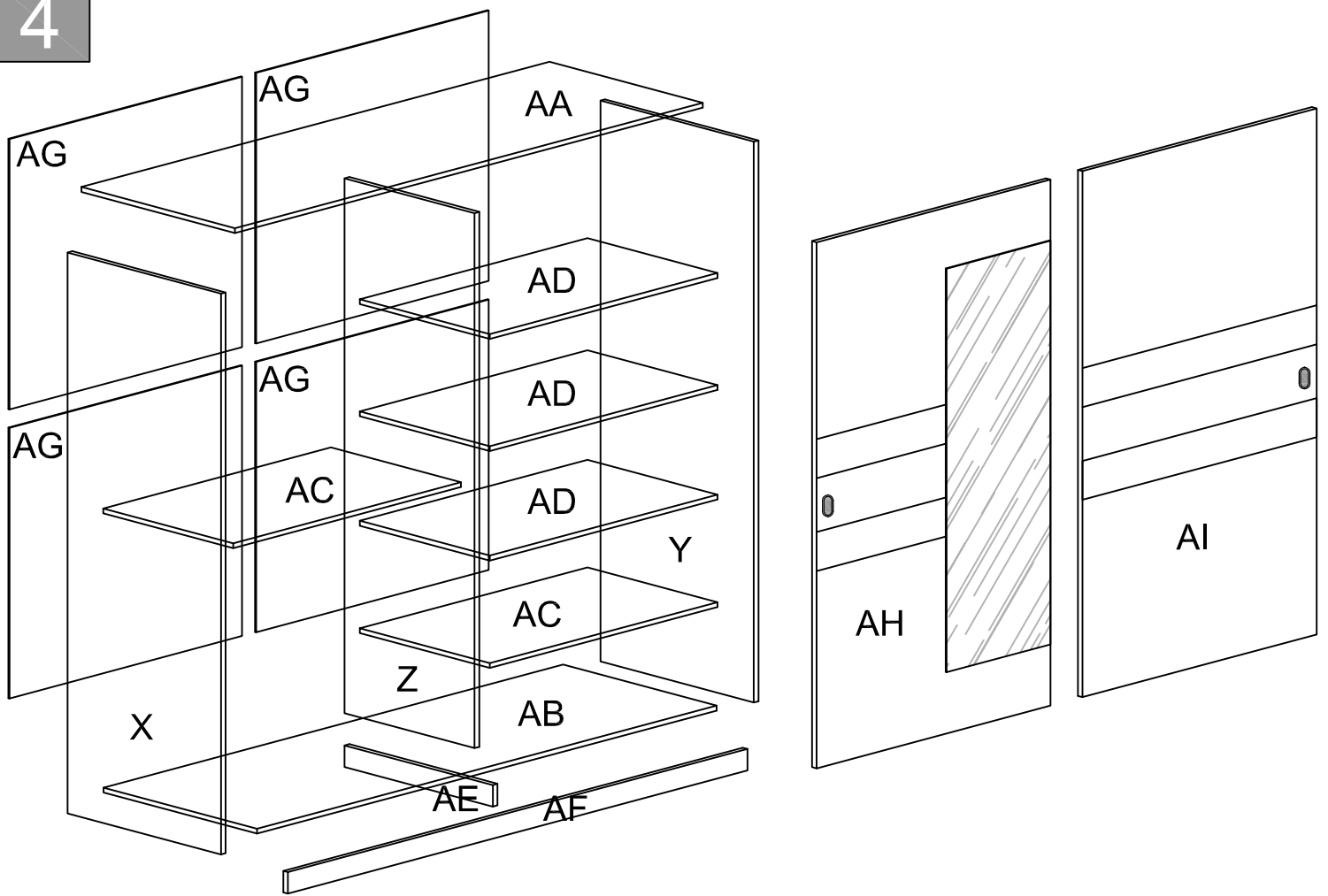
2.6

3.6

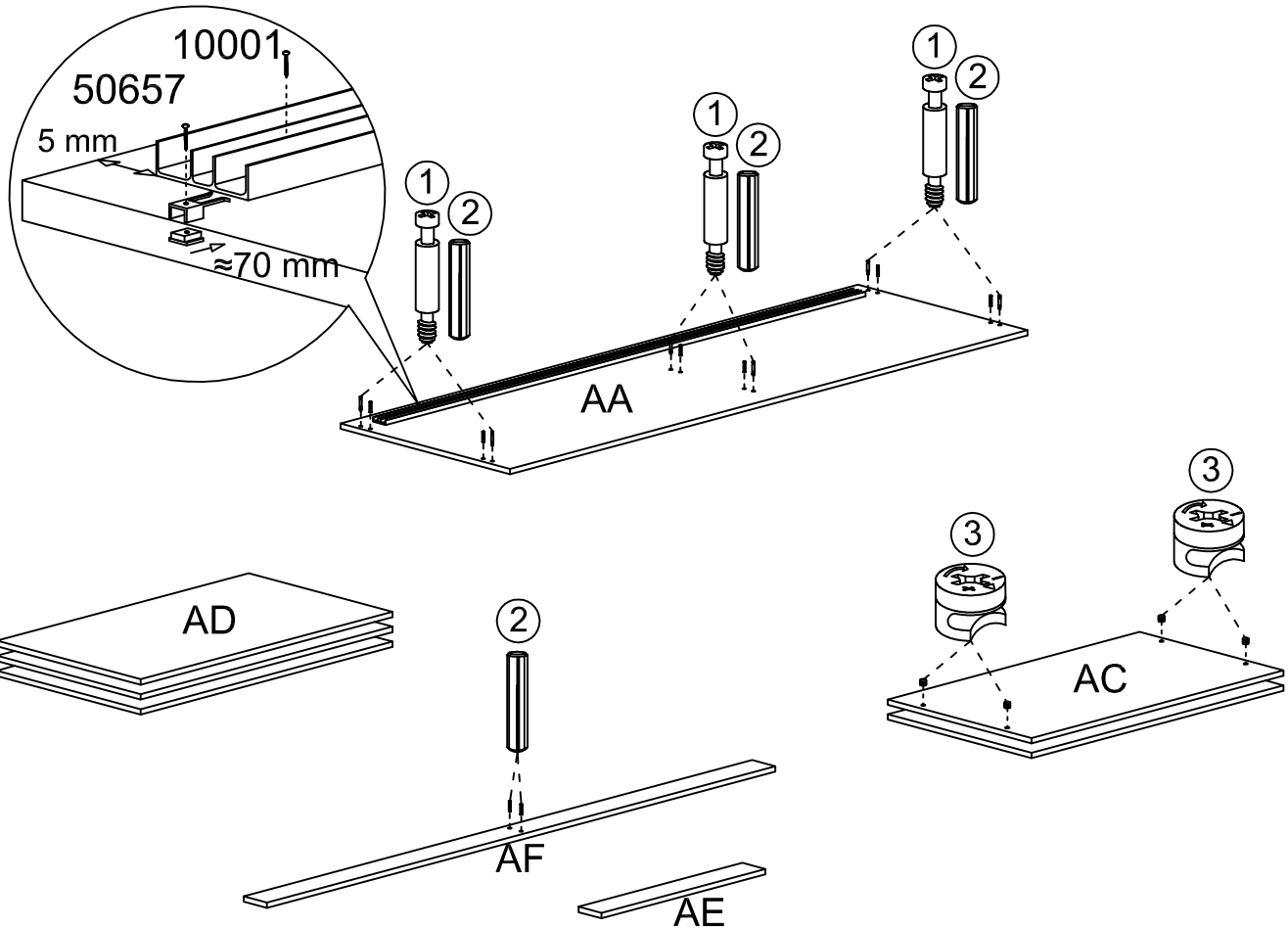


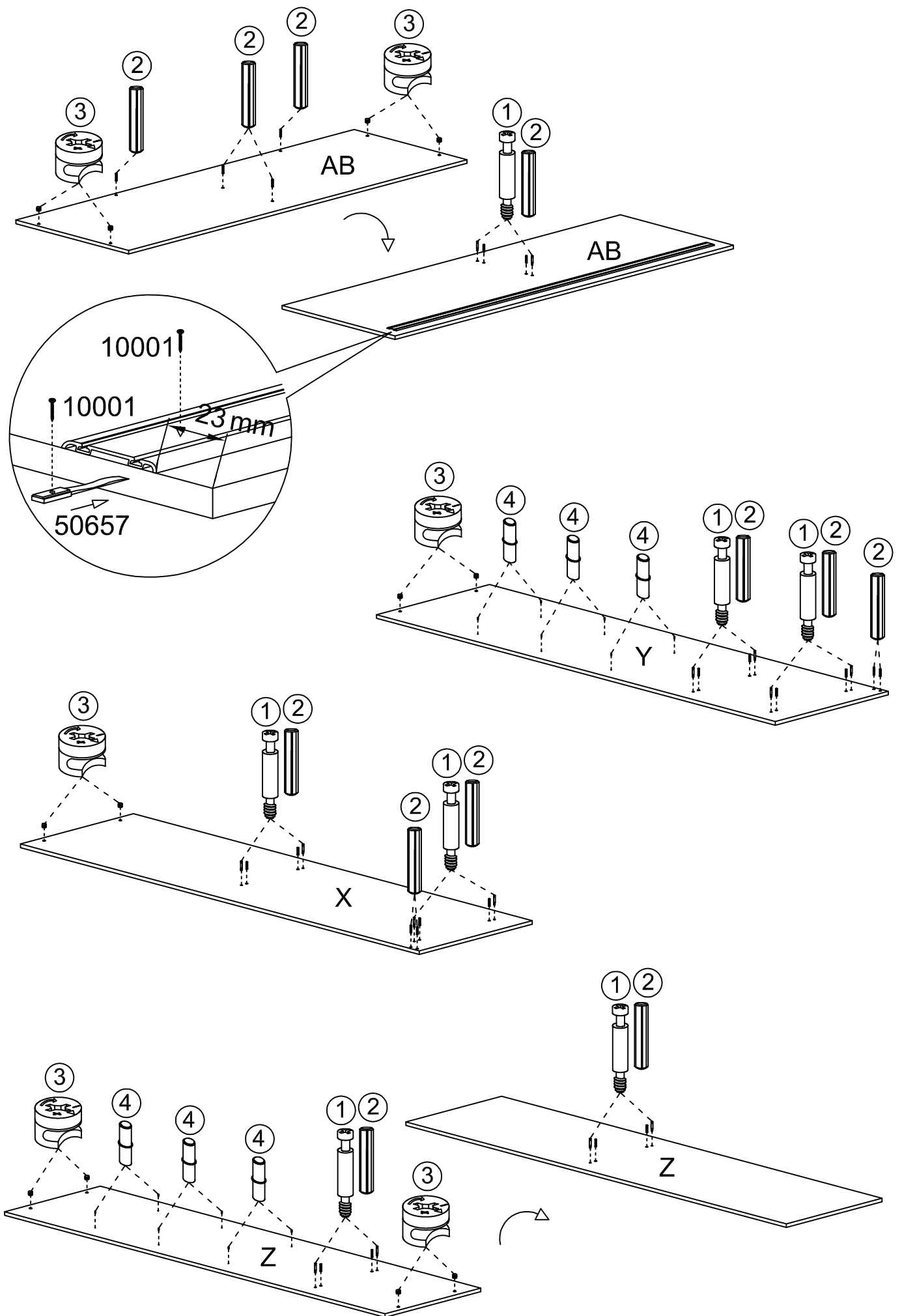


4

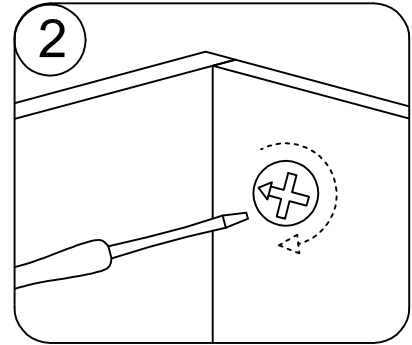
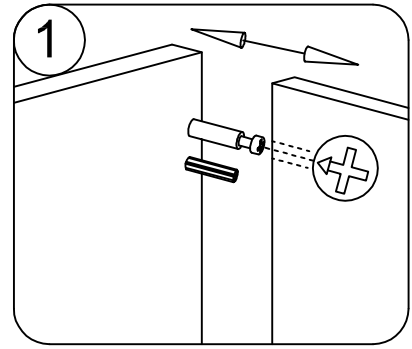
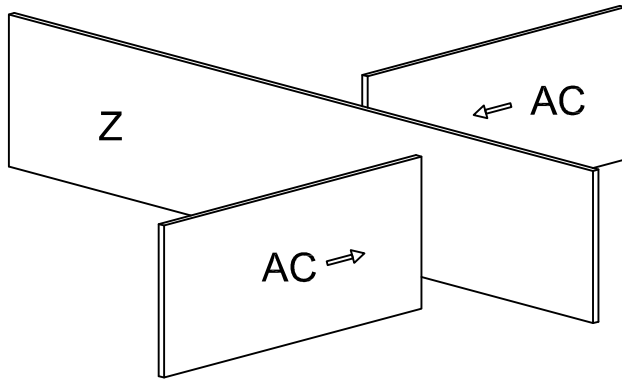


4.1

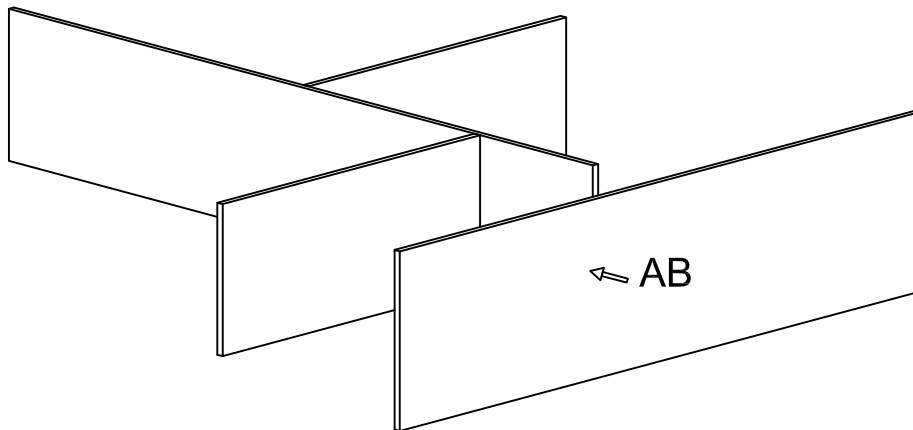




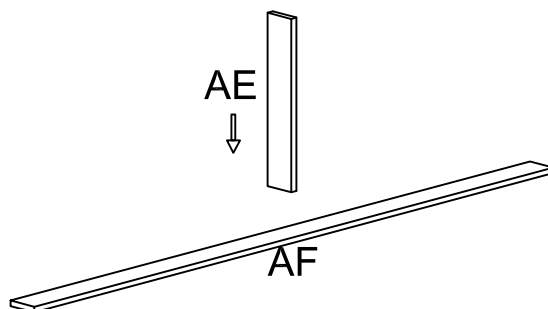
4.2



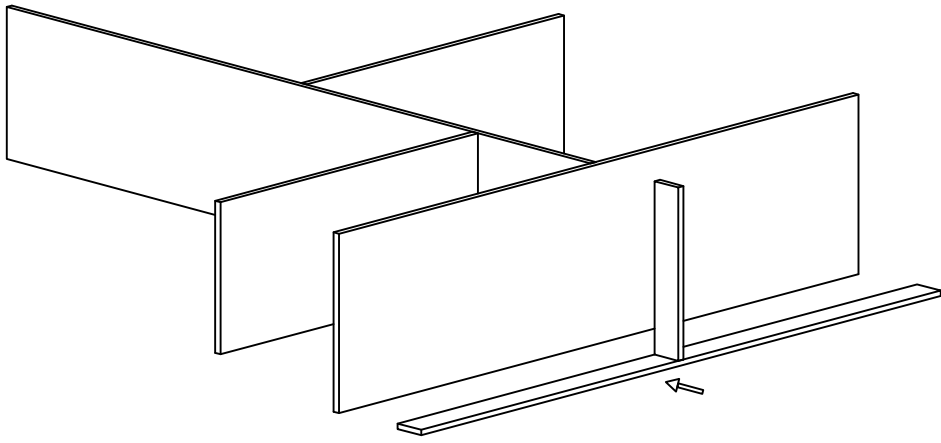
4.3



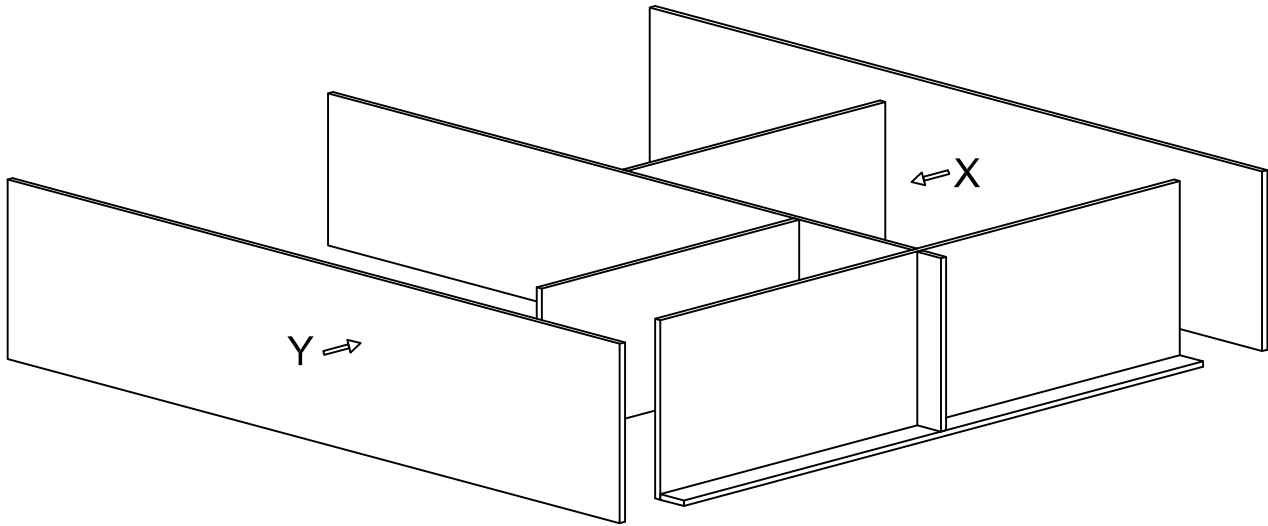
4.4



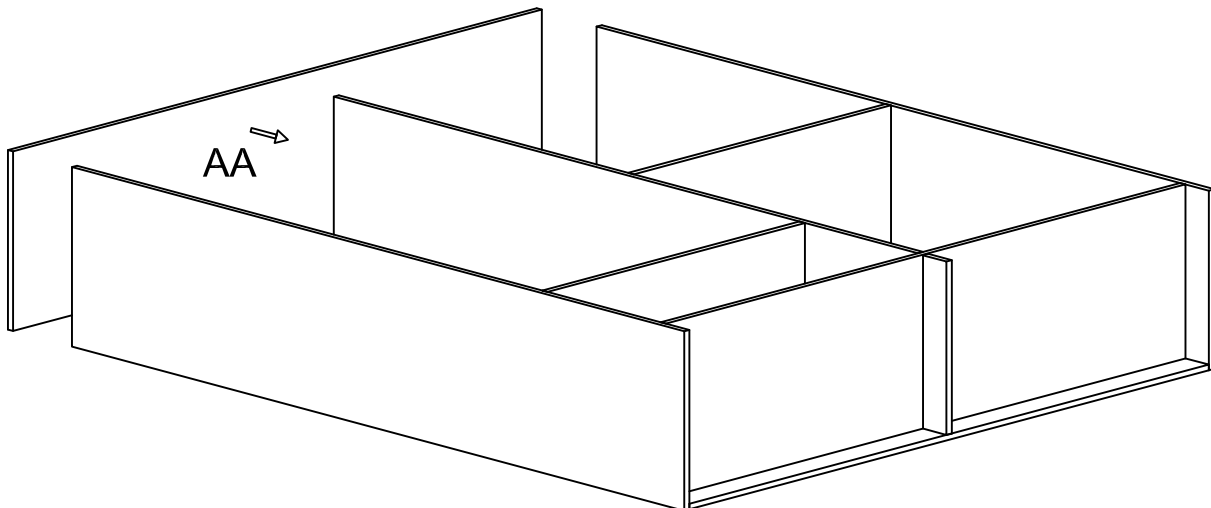
4.5



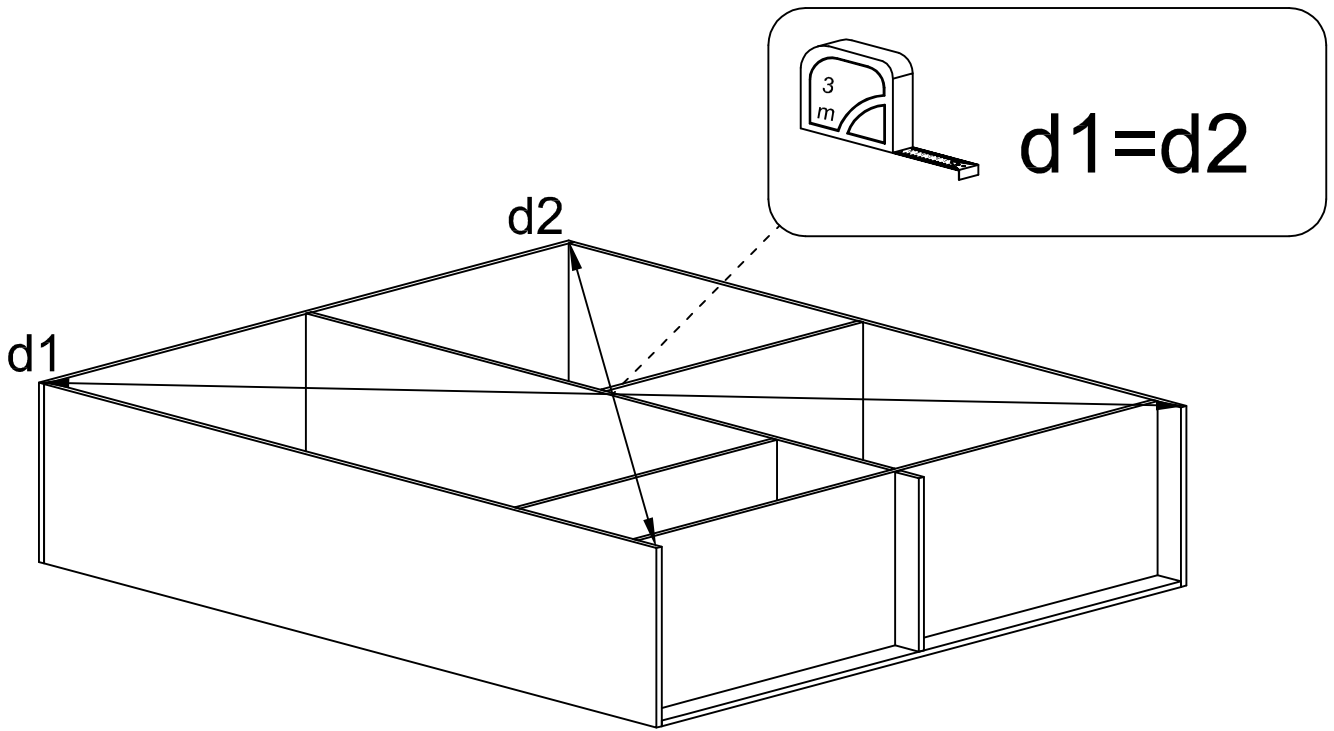
4.6



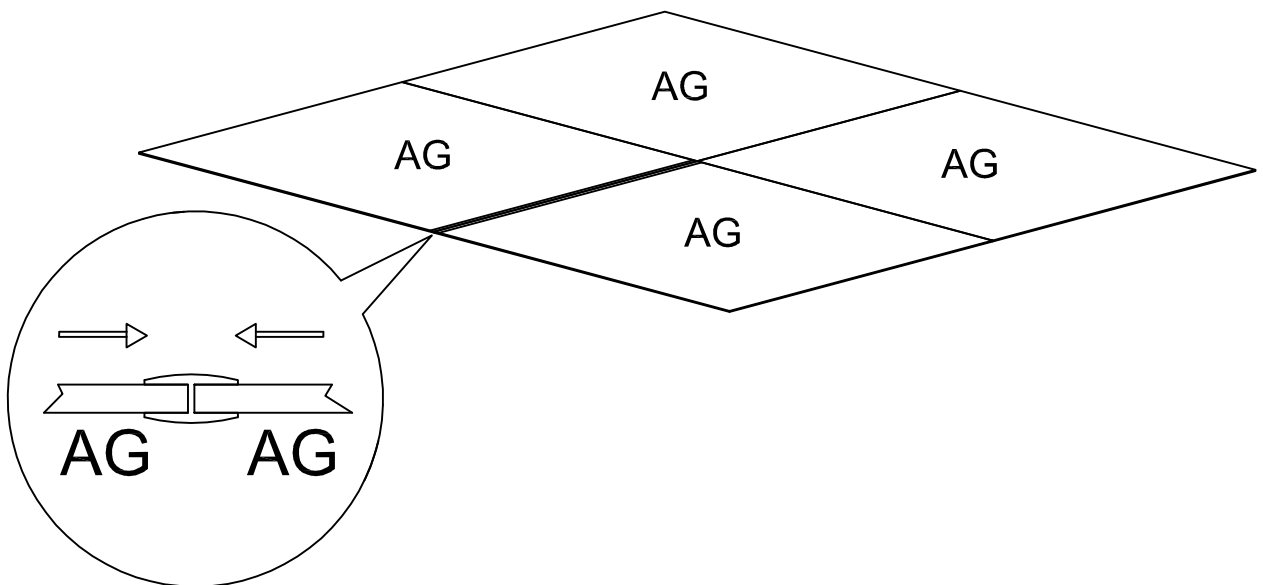
4.7



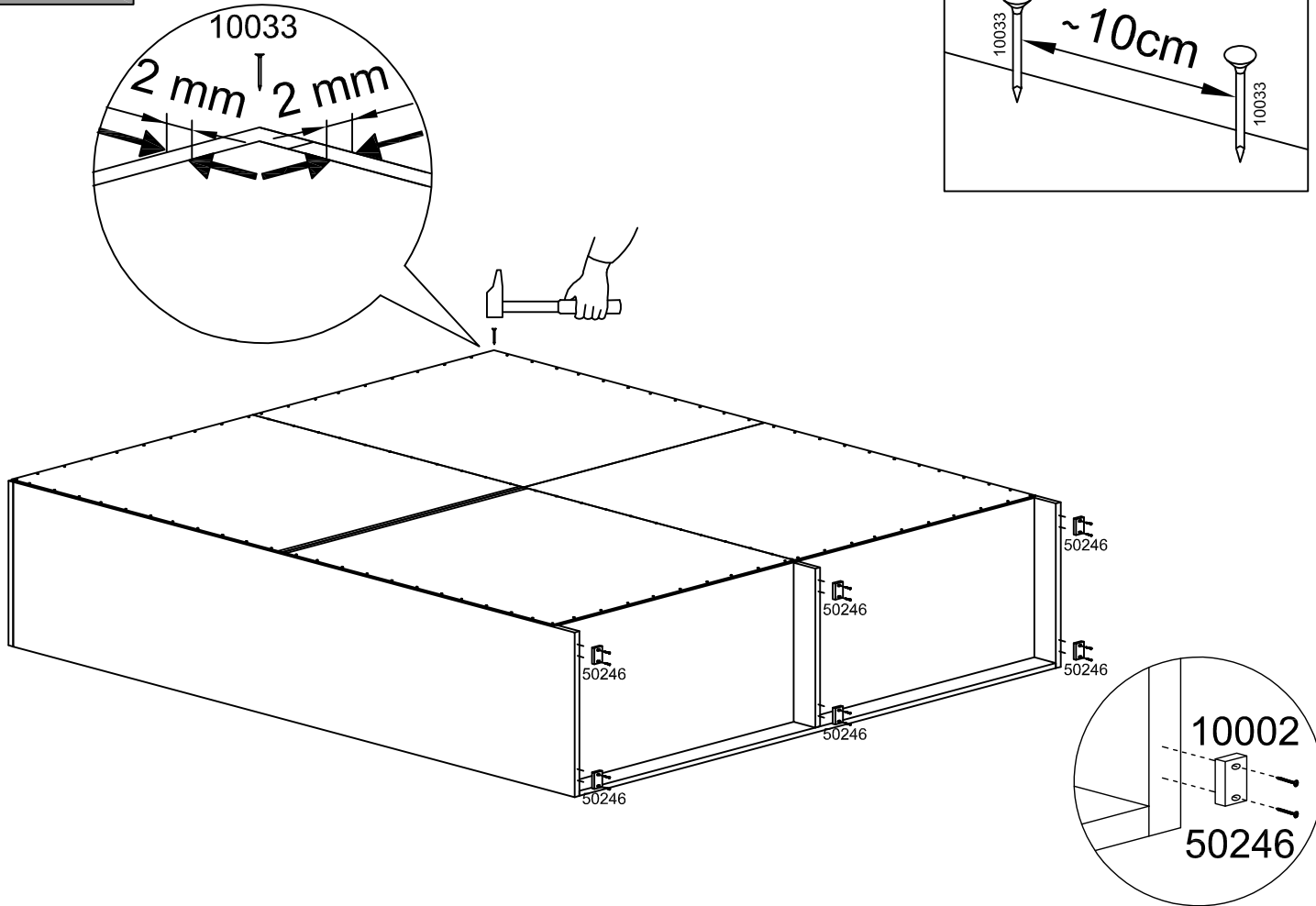
4.8



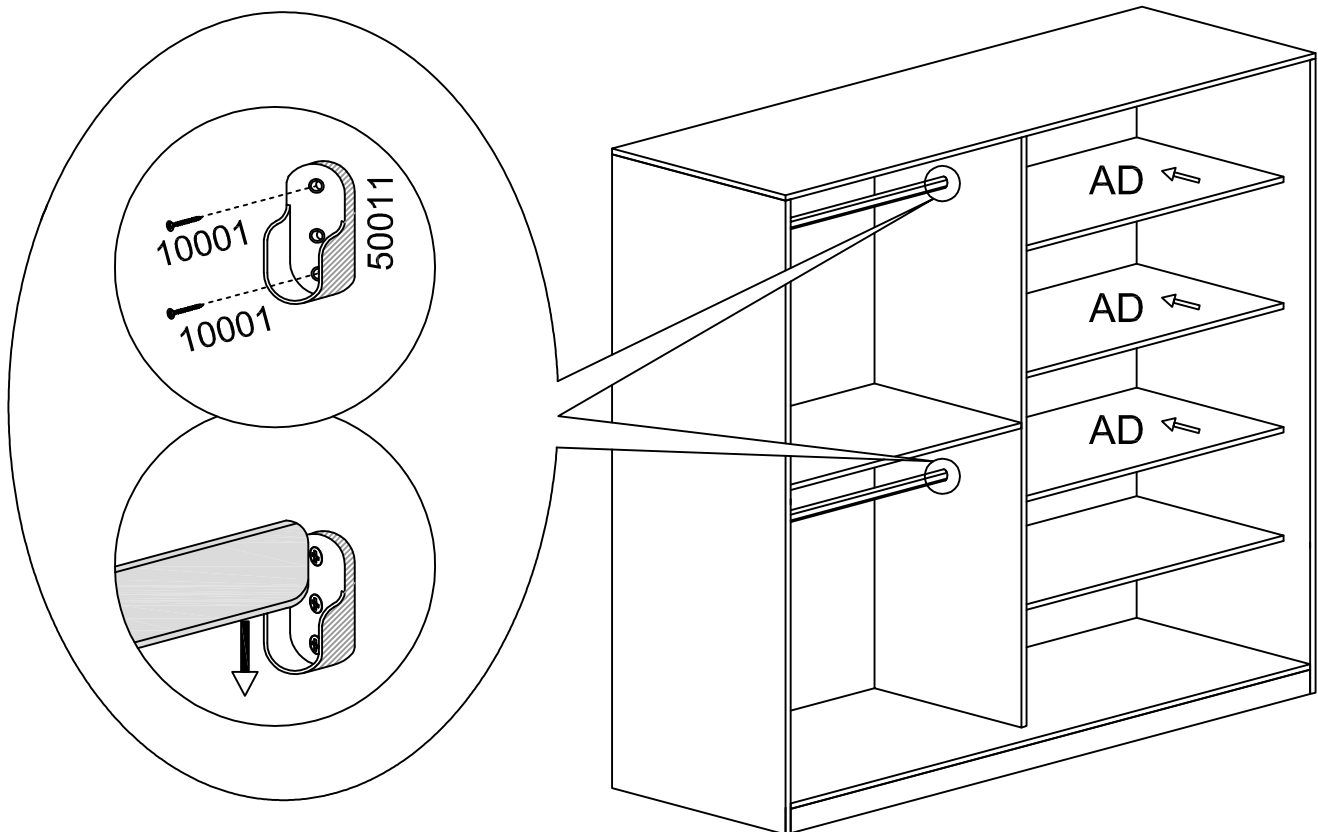
4.9



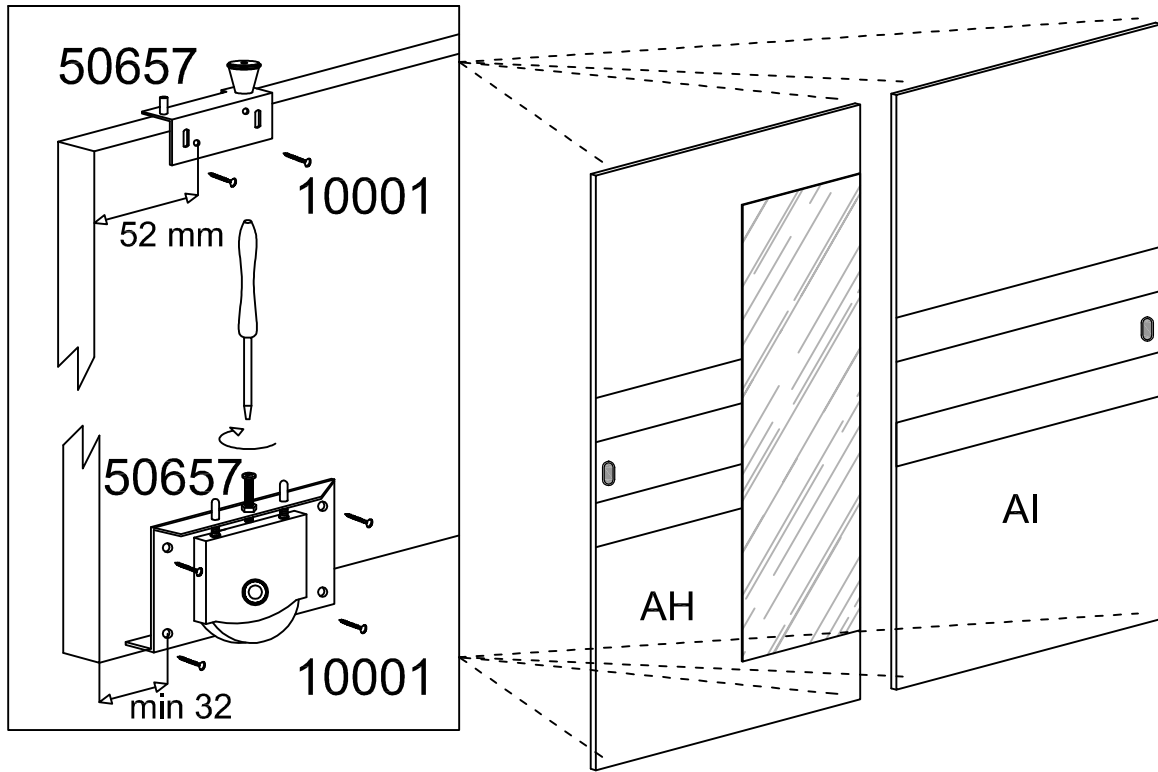
4.10



4.11



4.12



4.13

