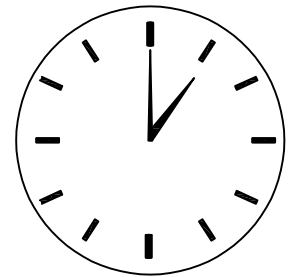
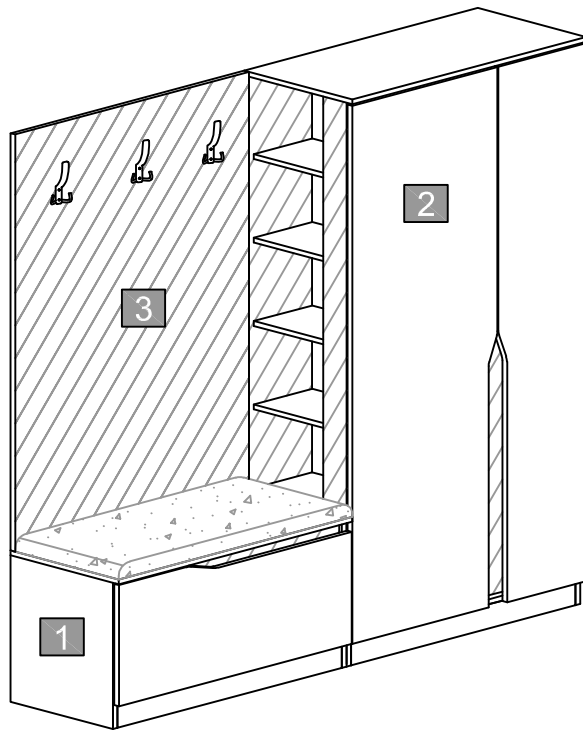
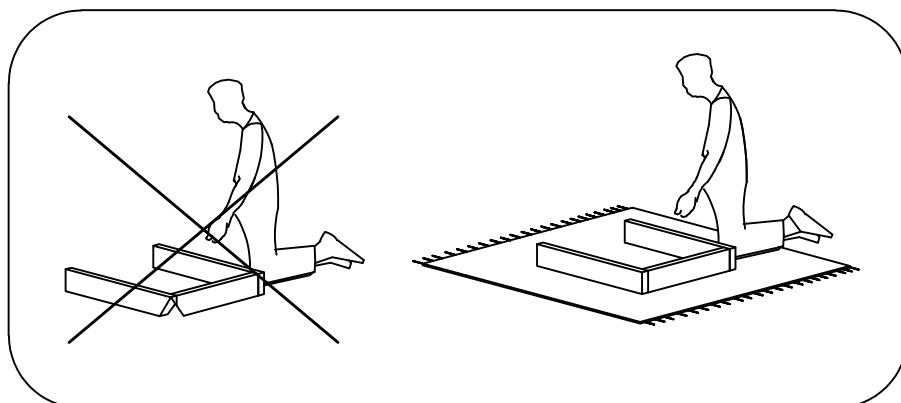
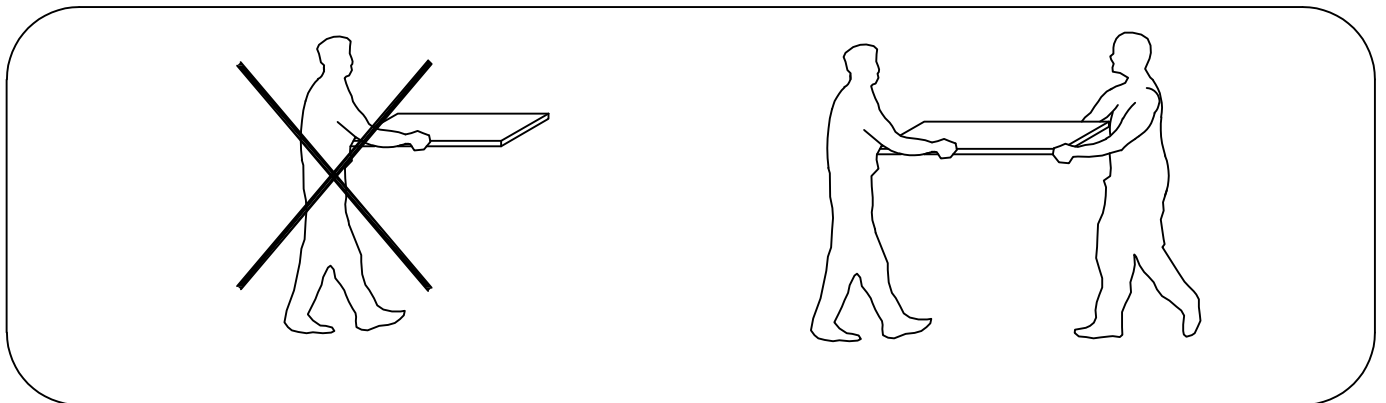
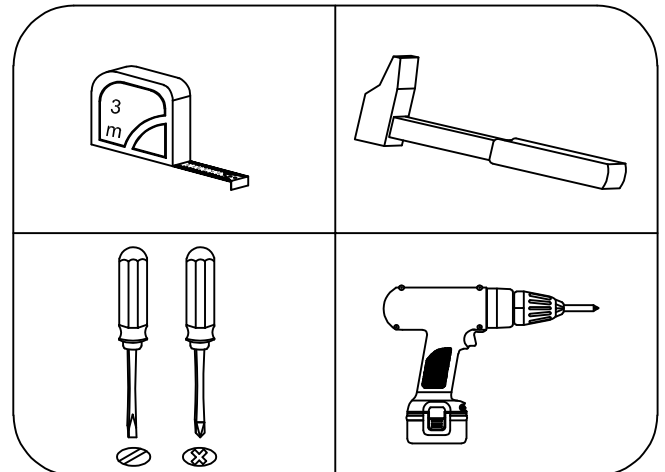
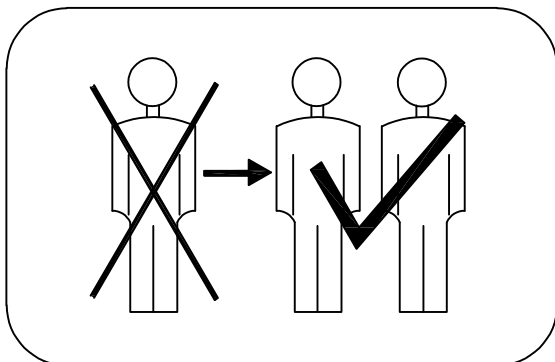


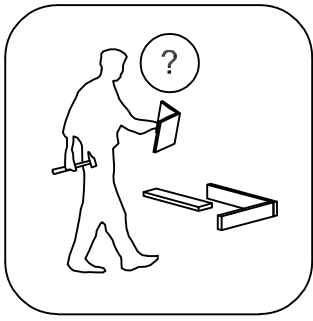
City 4088



180 min.



<http://www.irimbg.com/instructions/>

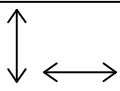


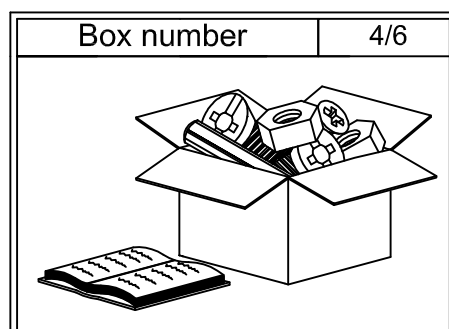
50x 10174	60x Φ 8x30mm 10013	58x 50317
2x L=86mm 10072	2x L=68mm 10258	2x 51721
6x soft closing 40158	2x 40161	3x 30035
4x 50332	6x 40158	4x 50332
1x 50007	2x 40011	6x 50765
6x PVC 10253	6x 50765	6x PVC 10253
8x 50246	4x 51066	6x 10060
		 10033

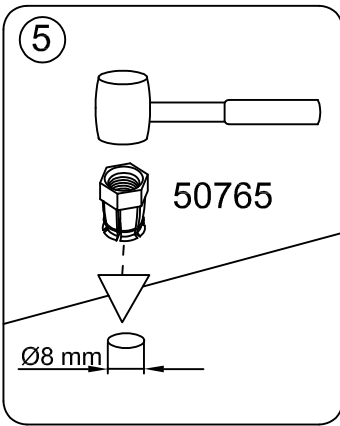
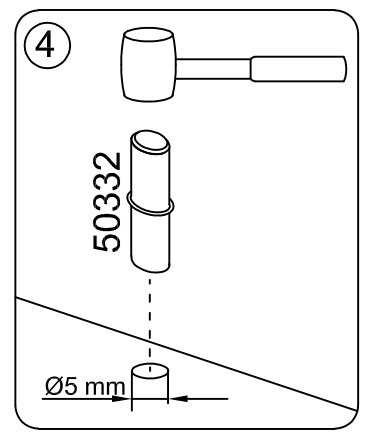
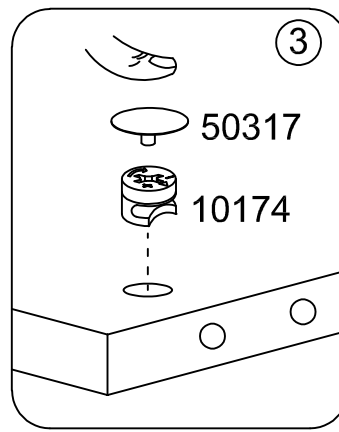
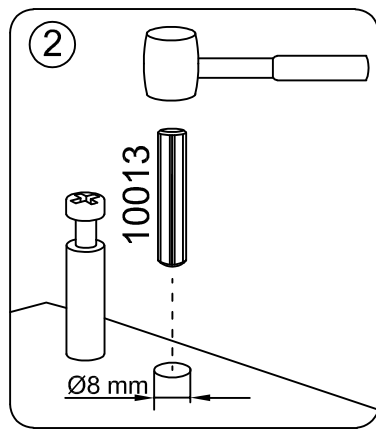
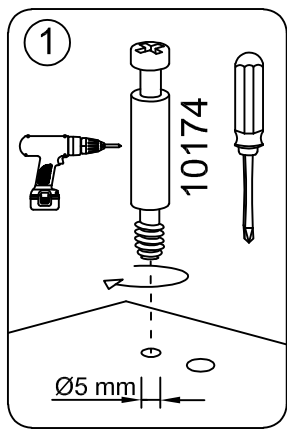
True size

60x Φ 3,5x16mm 10001	16x Φ 3,5x20mm 10002	6x Φ 6x80mm 10021
6x M 6x35mm 10071	6x Φ 3,5x19mm 10271	
	4x Φ 6,3x9mm 10107	

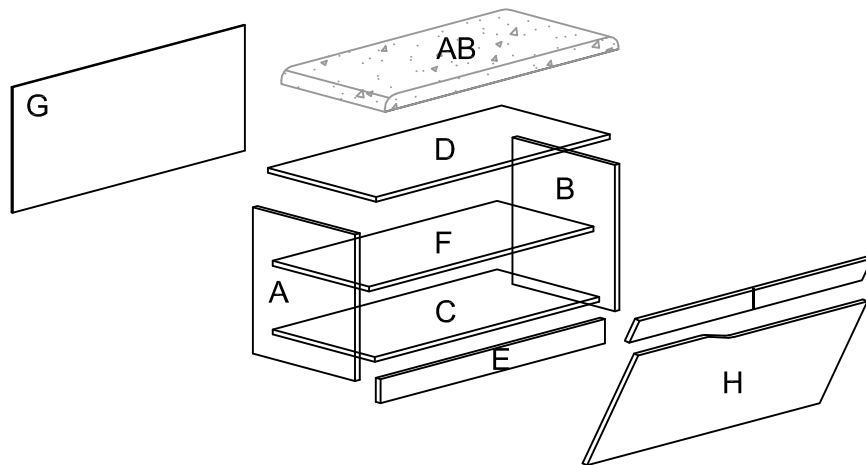


		Box number
A	484x350	4/6
B	484x350	4/6
C	768x350	1/6
D	800x370	1/6
E	2x 768x80	5/6
F	768x330	1/6
G	2x 412x795	6/6
H	401x797	1/6
I	762x80	5/6
J	484x350	3/6
K	388x350	4/6
L	1864x350	3/6
M	1364x350	3/6
N	800x370	4/6
O	552x350	4/6
P	352x320	4/6
Q	432x350	4/6
R	768x350	4/6
S	1781x297	5/6
T	1364x216	3/6
U	4x 199x333	1/6
V	1364x80	3/6
W	1380x580	6/6
Y	1781x497	5/6
Z	1000x110	5/6
AA	1380x800	6/6
AB	800x350	2/6

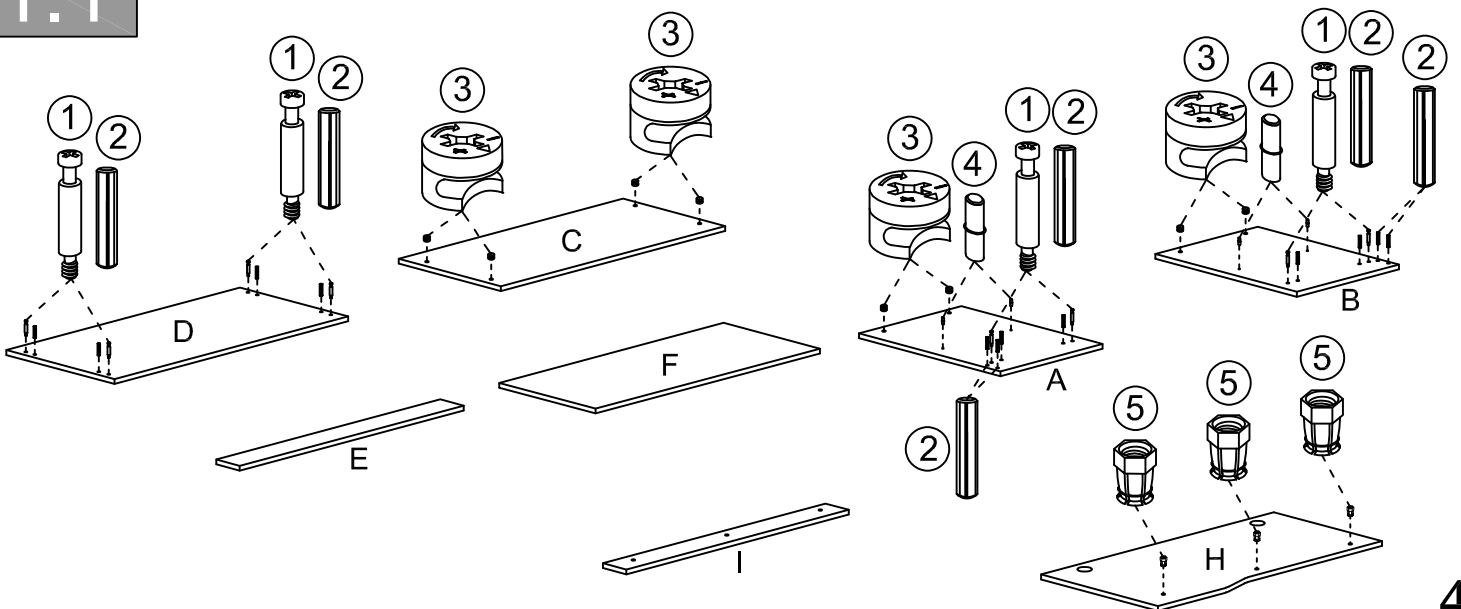




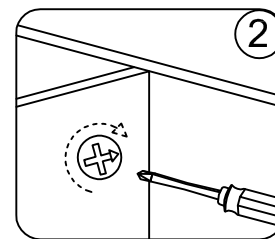
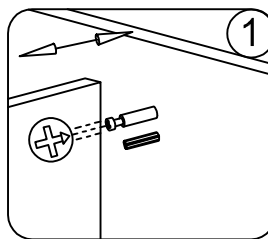
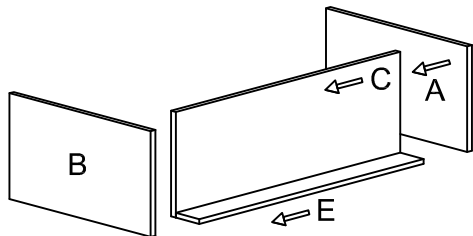
1



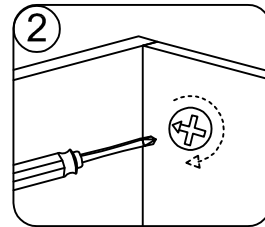
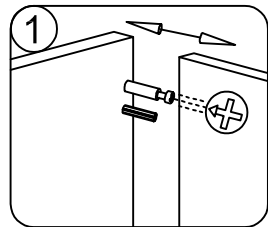
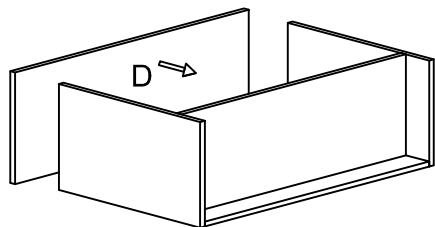
1.1



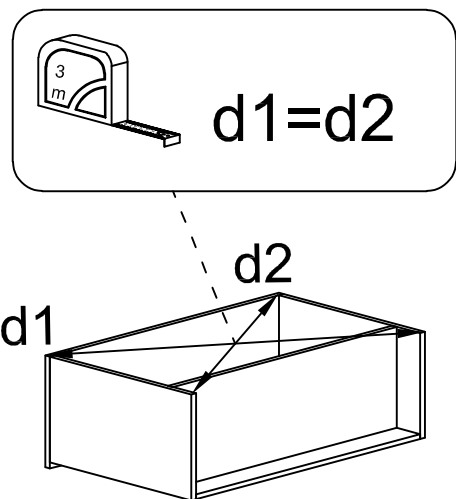
1.2



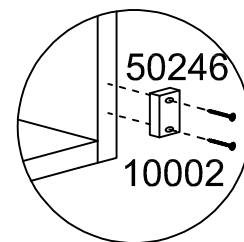
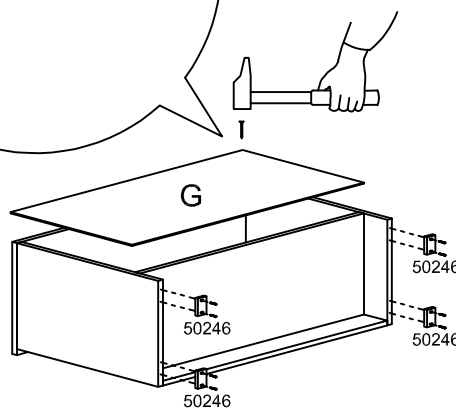
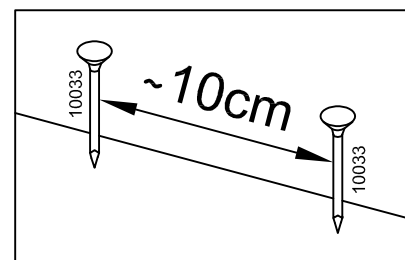
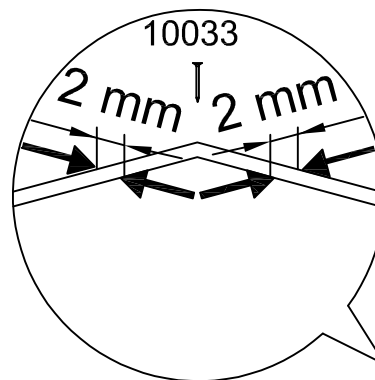
1.3



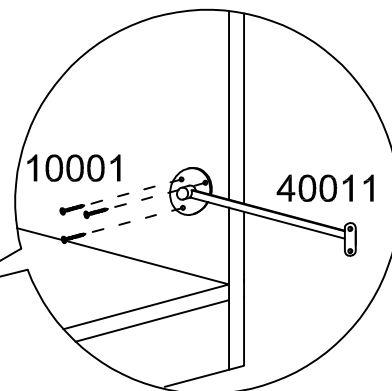
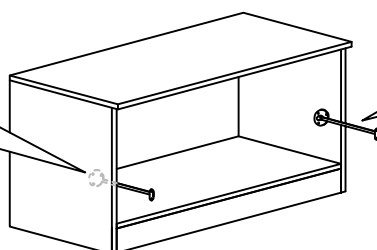
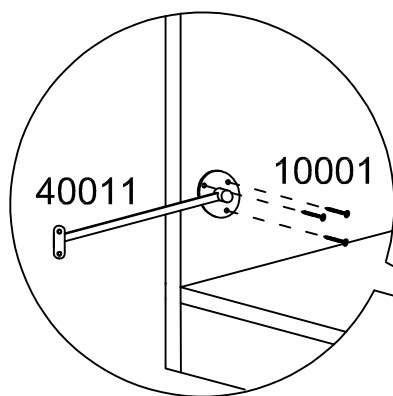
1.4



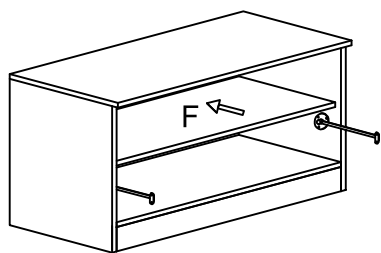
1.5



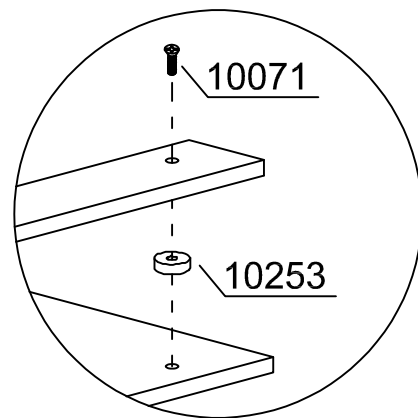
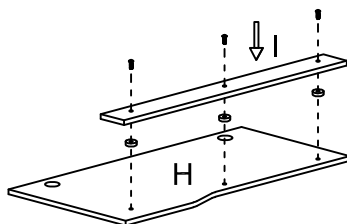
1.6



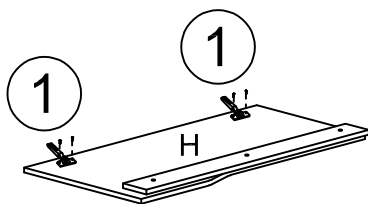
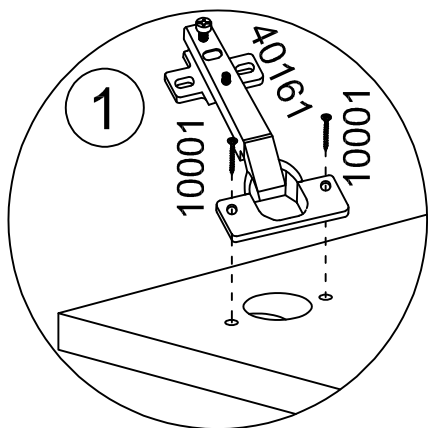
1.7



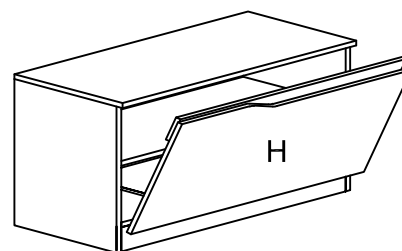
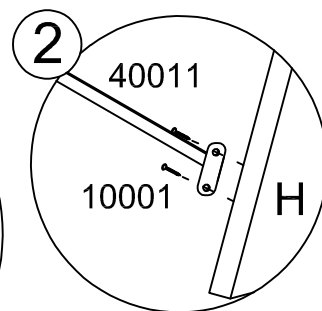
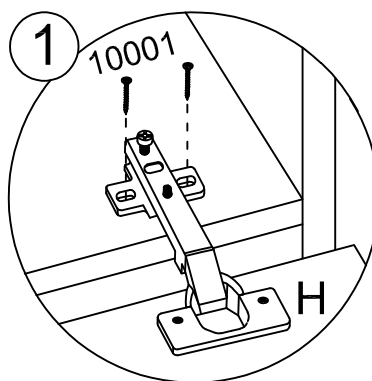
1.8



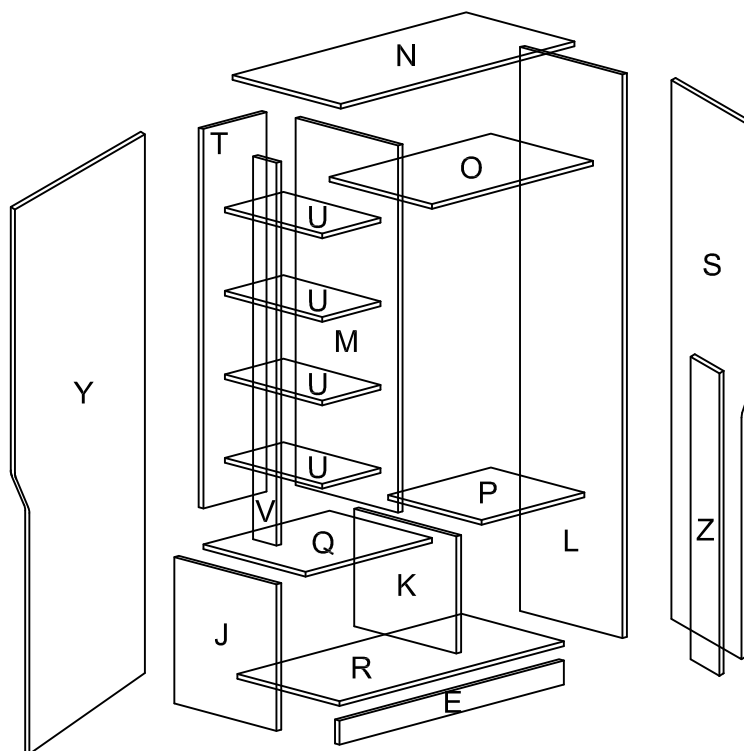
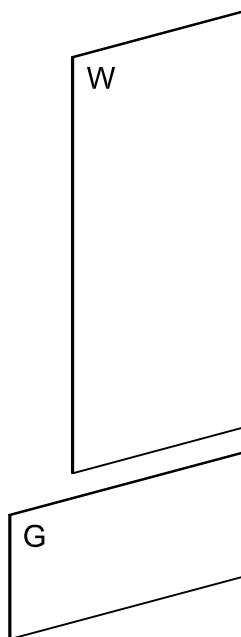
1.9



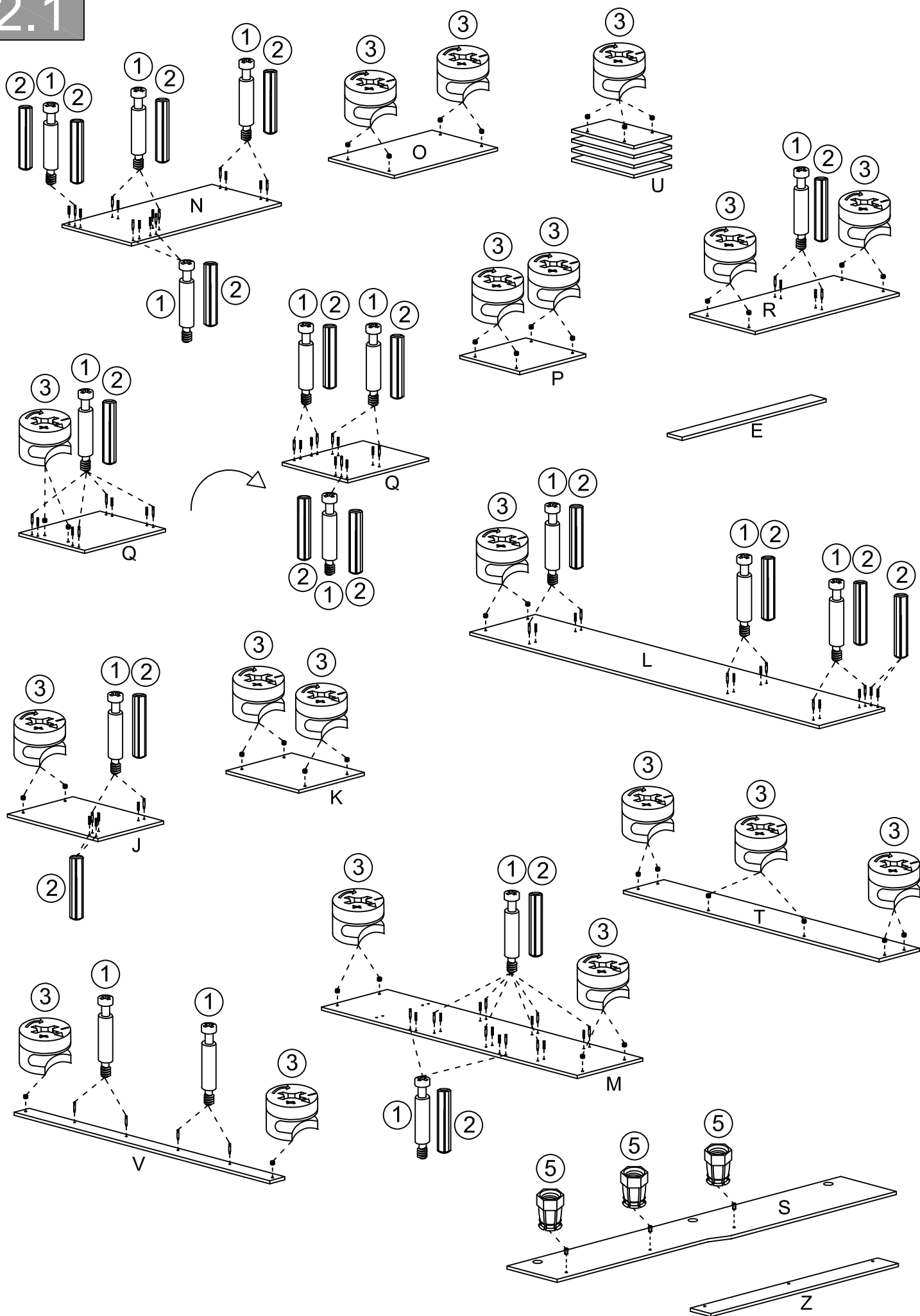
1.10



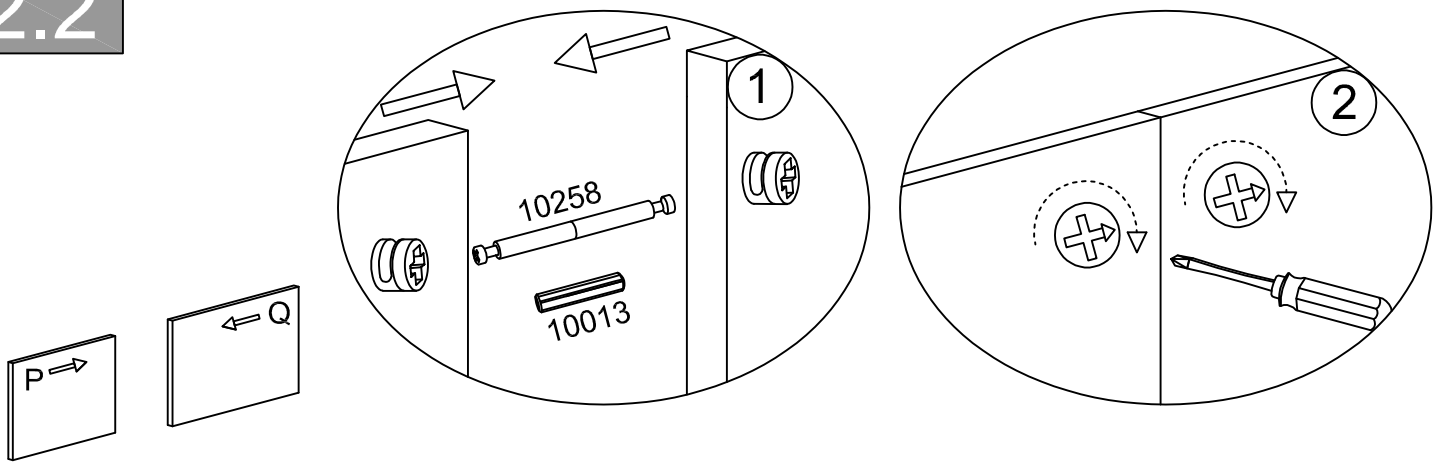
2



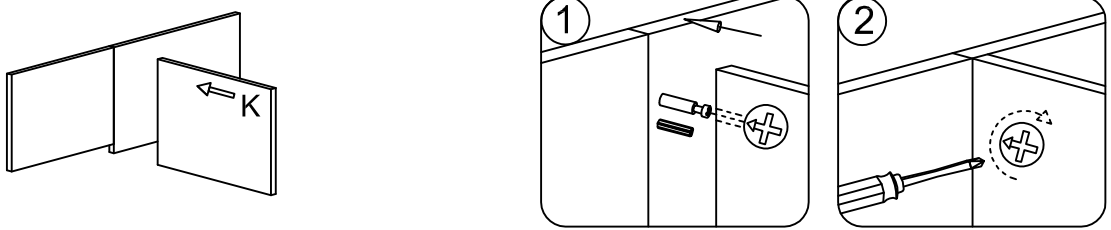
2.1



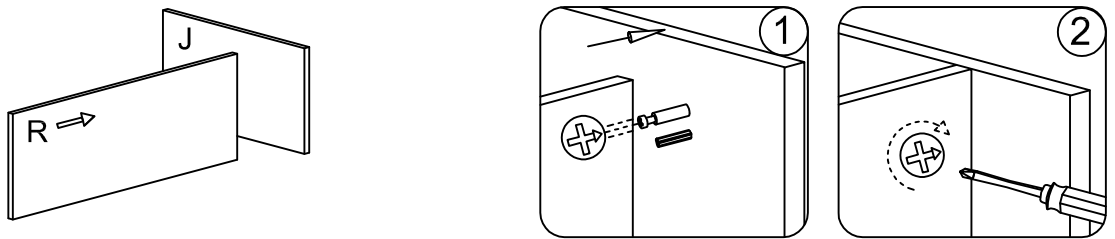
2.2



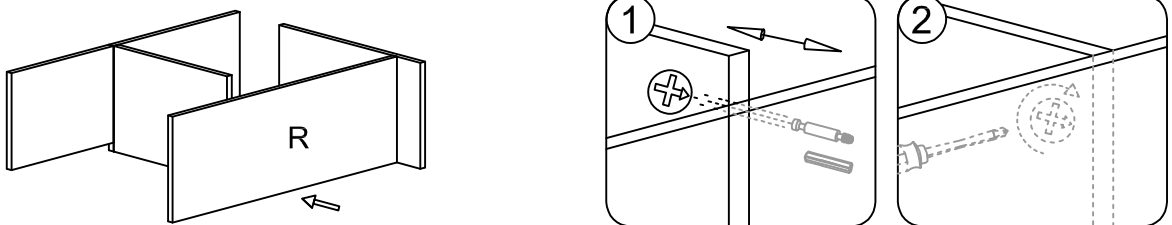
2.3



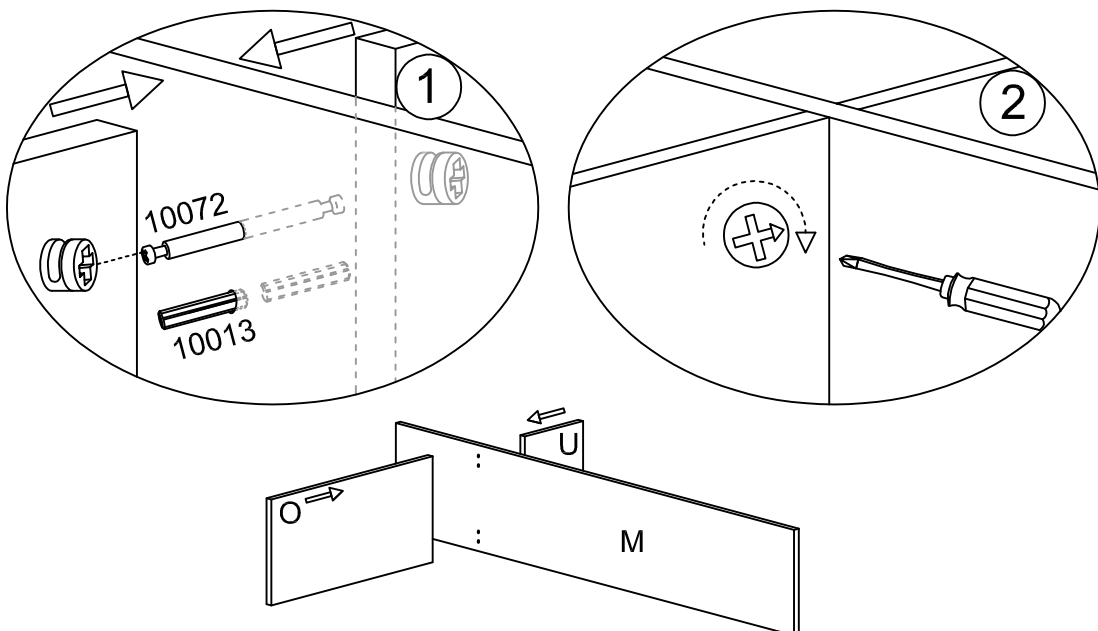
2.4



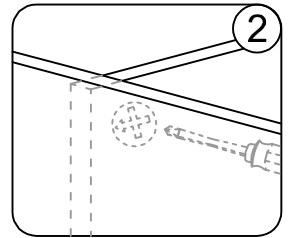
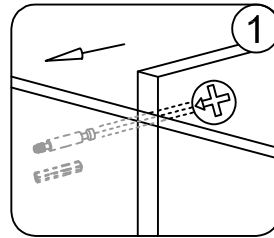
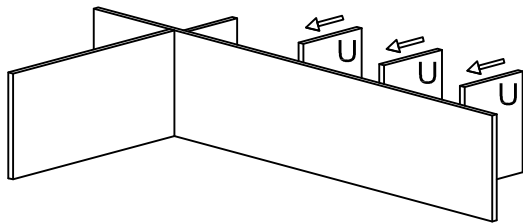
2.5



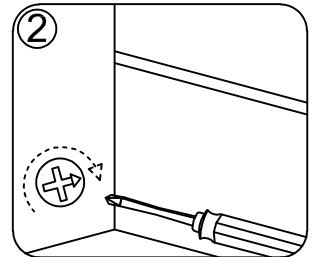
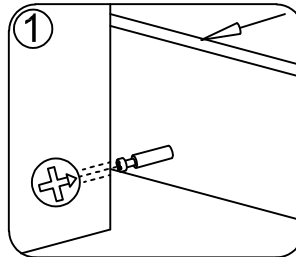
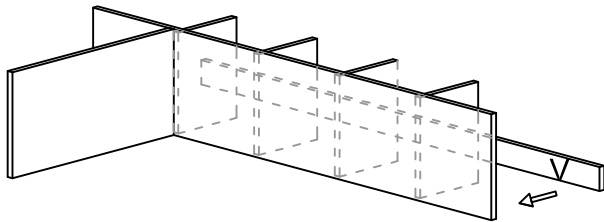
2.6



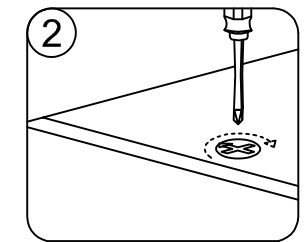
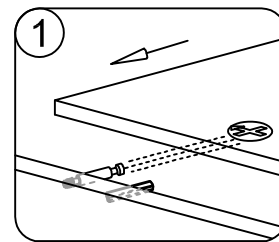
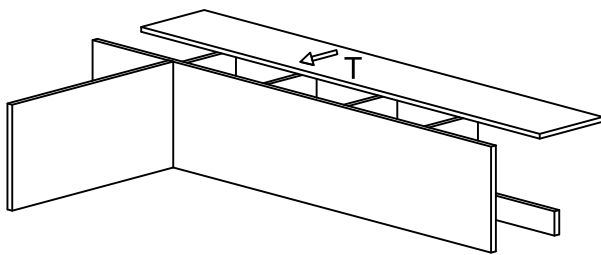
2.7



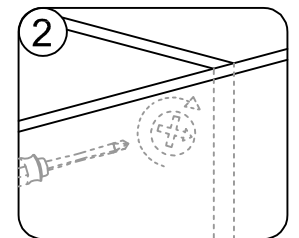
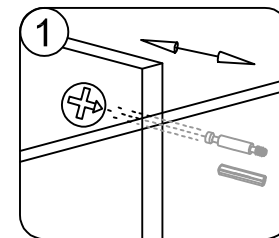
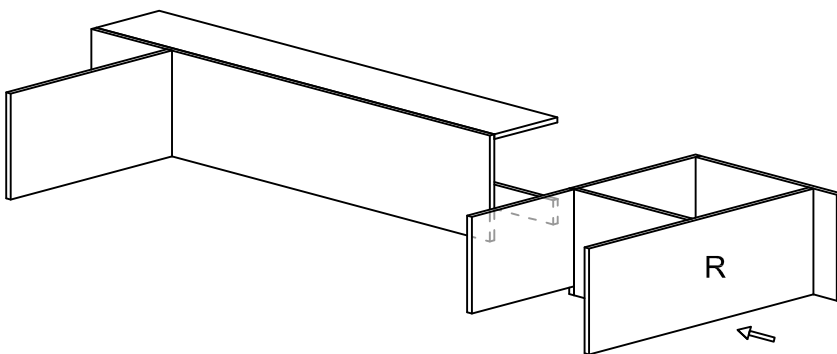
2.8



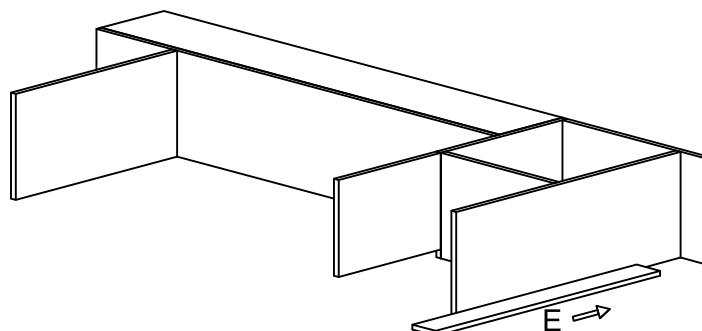
2.9



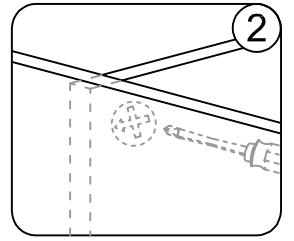
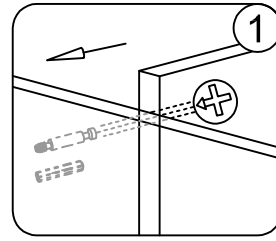
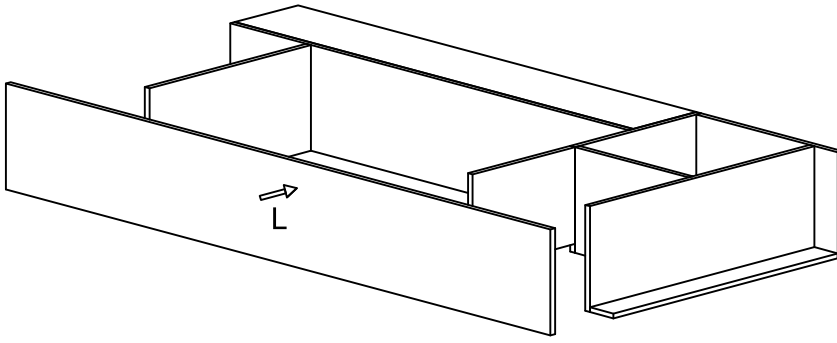
2.10



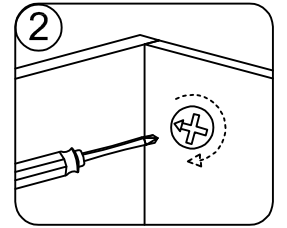
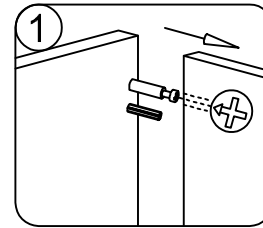
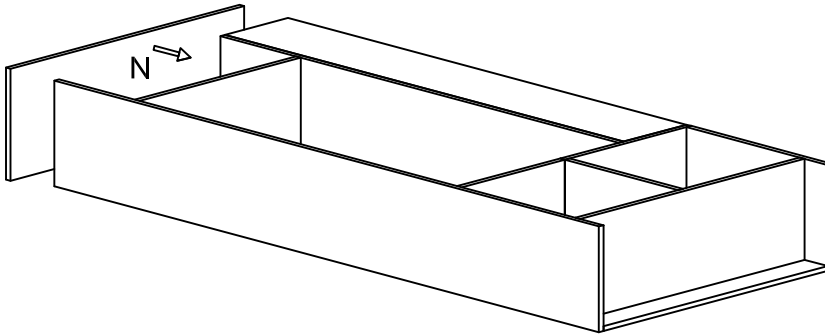
2.11



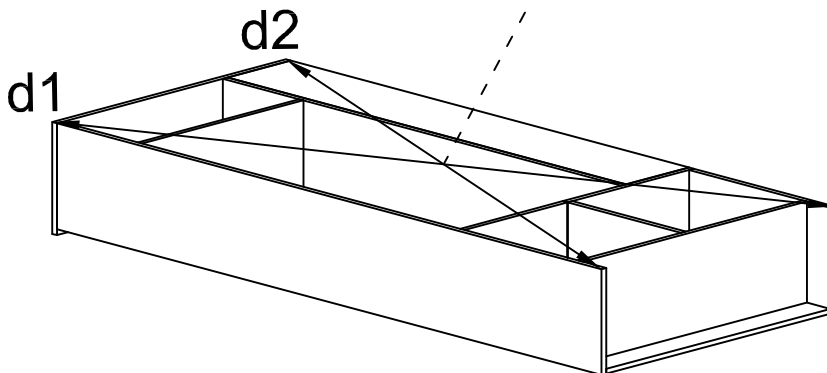
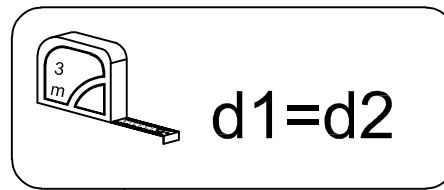
2.12



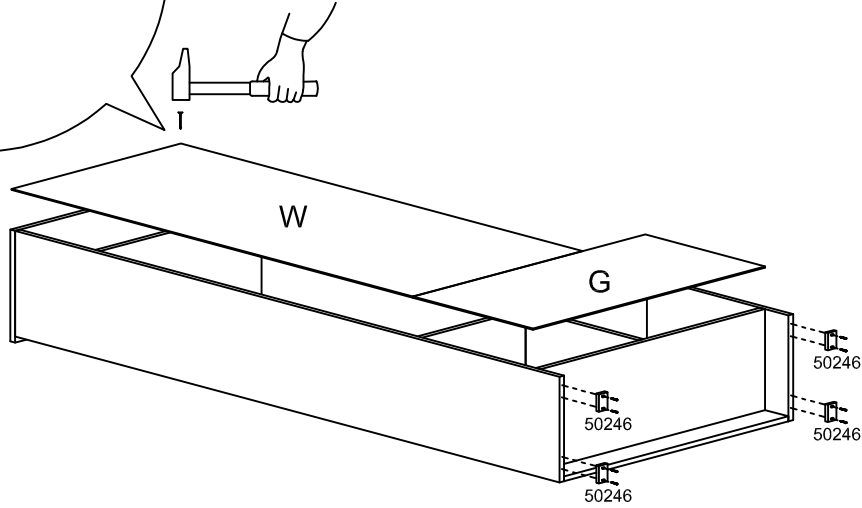
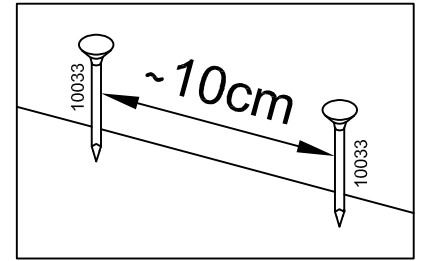
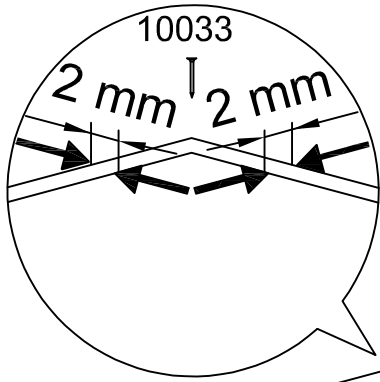
2.13



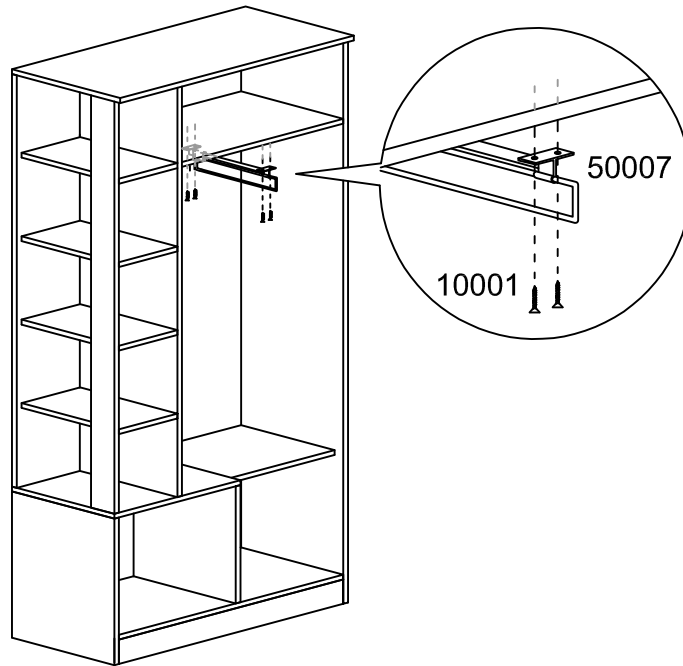
2.14



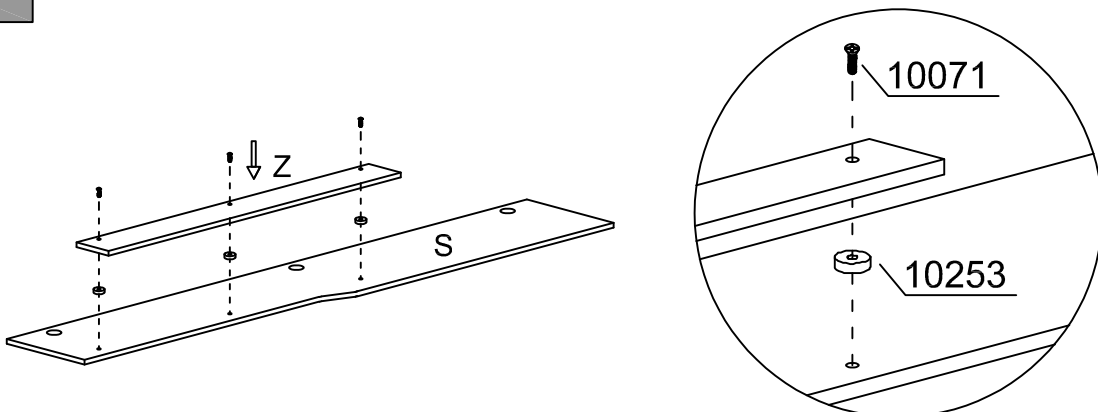
2.15



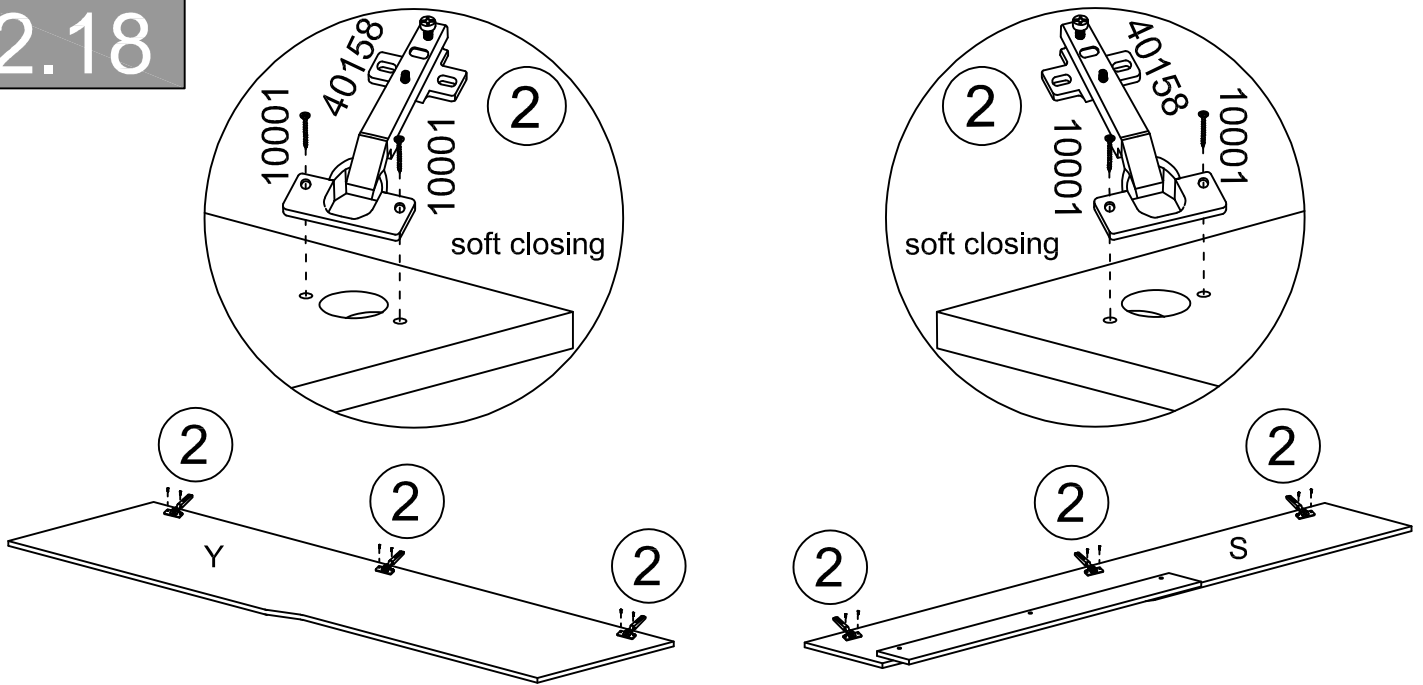
2.16



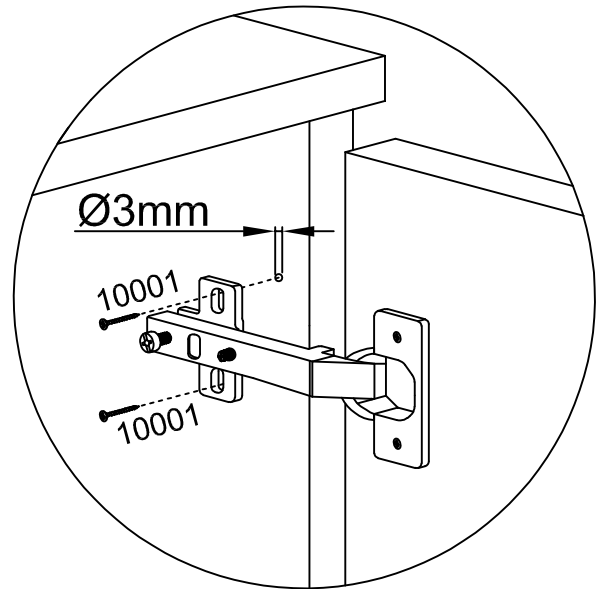
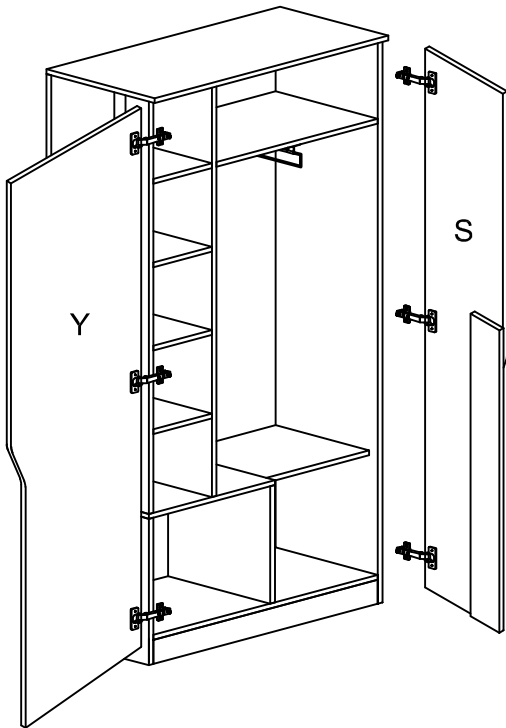
2.17



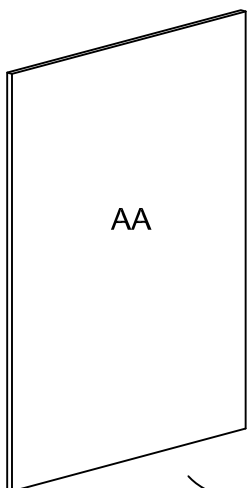
2.18



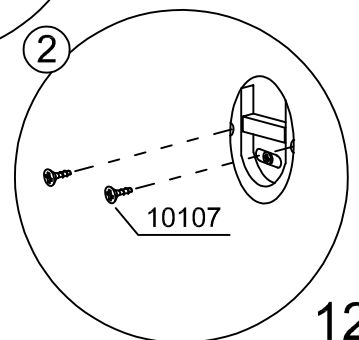
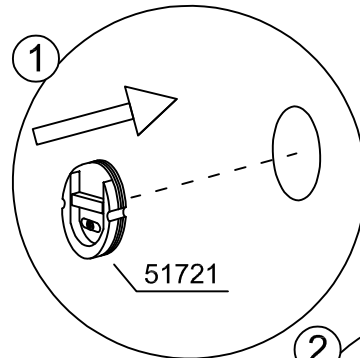
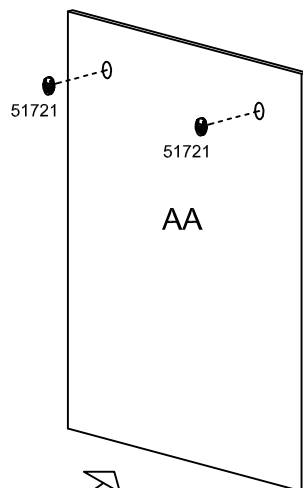
2.19



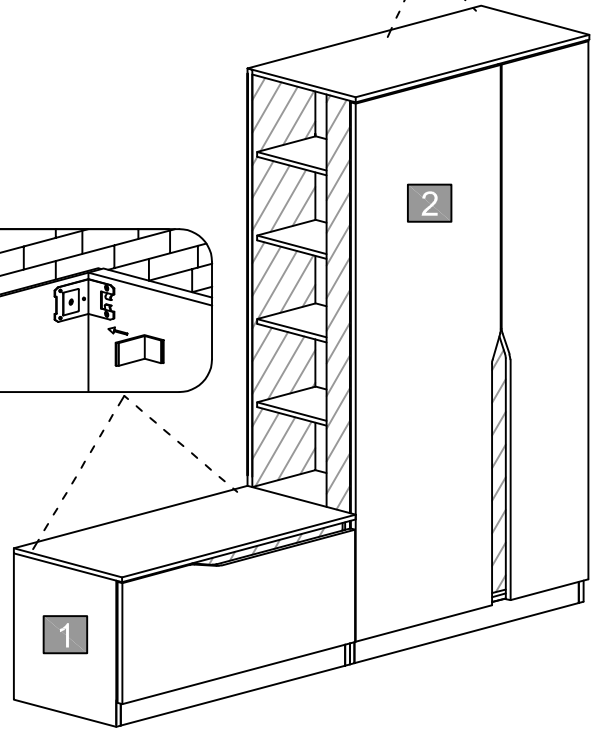
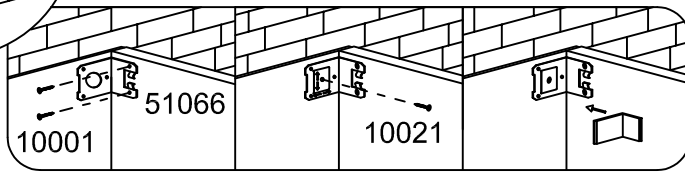
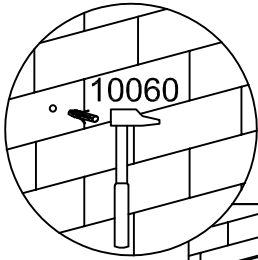
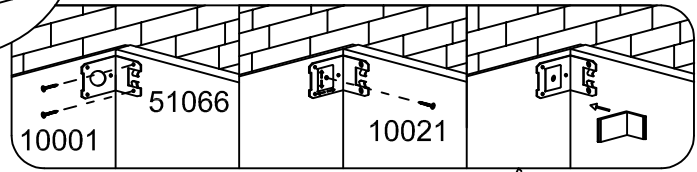
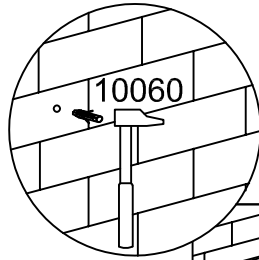
3



3.1



I



II

