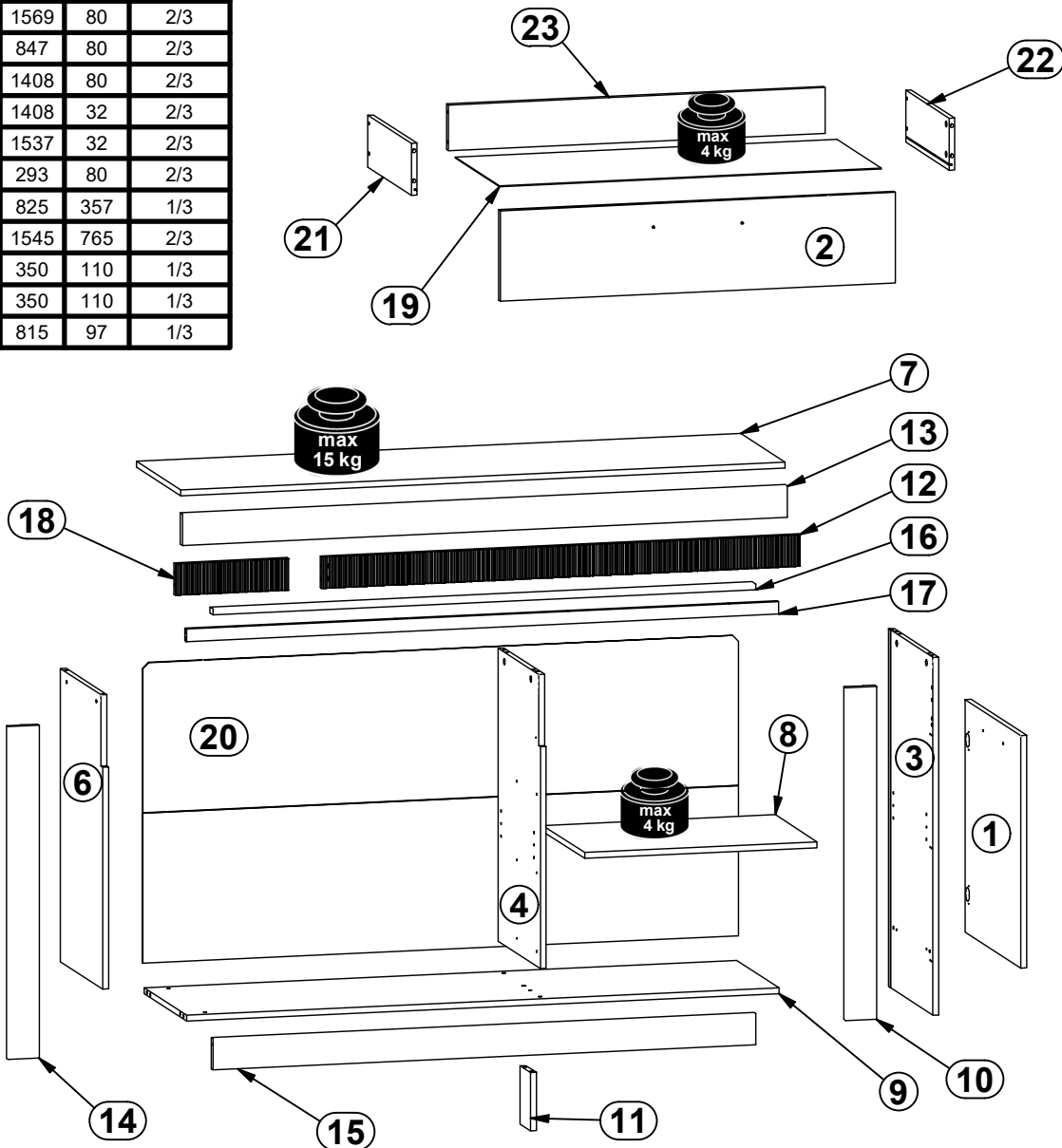
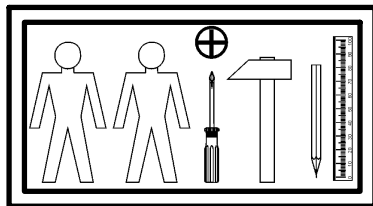


A	B	C	D	
1	S481-0003	539	592	3/3
2	S481-0009	854	192	3/3
3	S481-1002	911	428	1/3
4	S481-1004	746	407	1/3
5	S481-1011	911	428	1/3
6	S481-1012	746	408	1/3
7	S481-2004	1568	428	2/3
8	S481-3002	603	404	1/3
9	S481-3008	1537	408	2/3
10	S481-5003_A	847	80	2/3
11	S481-5005	148	100	1/3
12	S481-5008	1242	80	2/3
13	S481-5019	1569	80	2/3
14	S481-5020_A	847	80	2/3
15	S481-5021_A	1408	80	2/3
16	S481-5022	1408	32	2/3
17	S481-5023	1537	32	2/3
18	S481-5024	293	80	2/3
19	S481-9003	825	357	1/3
20	S481-9303	1545	765	2/3
21	ZQ6-519	350	110	1/3
22	ZQ6-520	350	110	1/3
23	ZQ6-5214	815	97	1/3

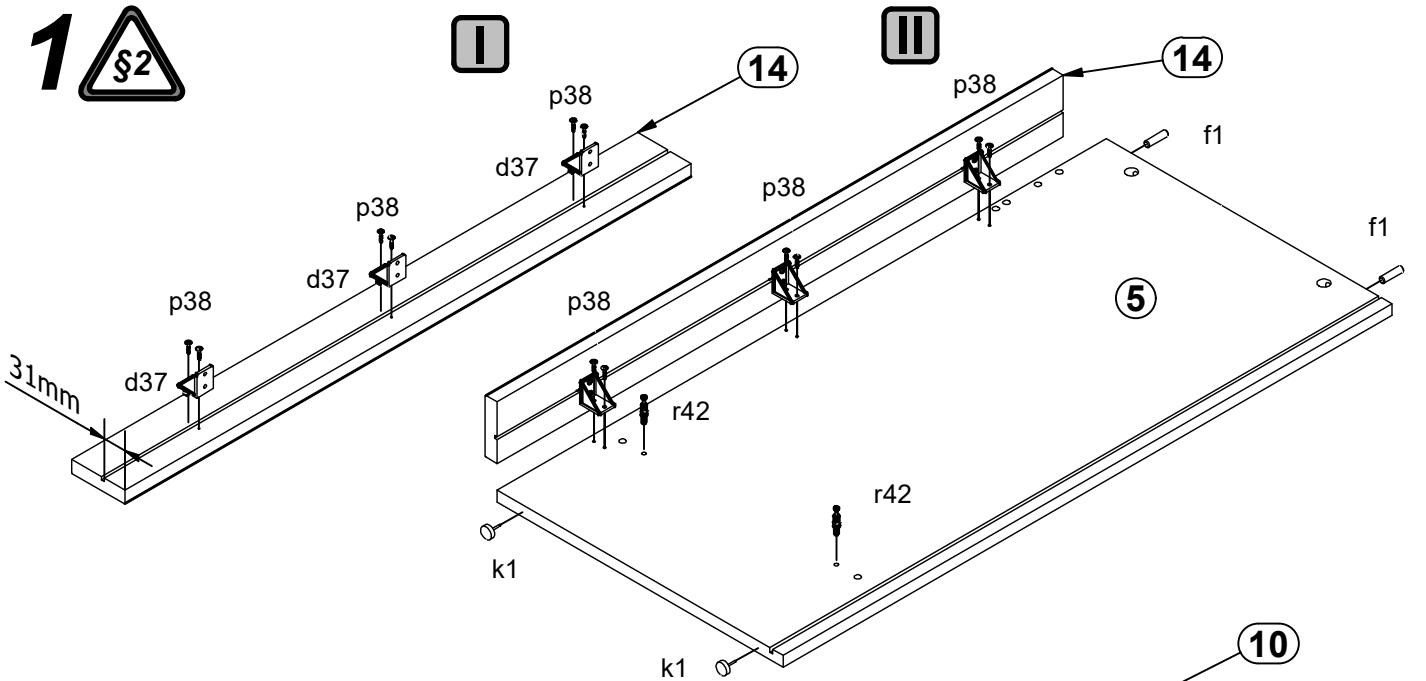


2x a132	1x a133	2x b43	4x 192 mm c306	4x Ø7x50 mm d1	16x d37	3x Ø7x50 mm e1	4x Ø6.3x13 mm e2	12x Ø6x13 mm e3
27x Ø8x30 mm f1	12x Ø6.5x40 mm f25	8x M4x22 mm j30	5x k1	7x l2	4x o77/16	2x 10x18 mm o83/9	4x Ø2.5x13 mm p15	3x Ø3.5x16 mm p25
3x Ø3.5x10 mm p35	83x Ø3.5x16 mm p38	6x Ø3.5x15 mm p51	18x Ø2.9x16 mm p55	14x Ø15x12 mm #16 r1	12x Ø12x10.5 mm #12 r15	22x 20/11 r42	2x 40 mm r51	3x 350 mm t35
3x 350 mm W117/L	3x 350 mm W117/P	1x 4 mm z1	2x Ø 20mm s68	1x n26/1	1x 2m IP 15W o70/10	1x 10x10 mm L=1410 mm o77/52	1x 38x22x102.5mm n58	

1 

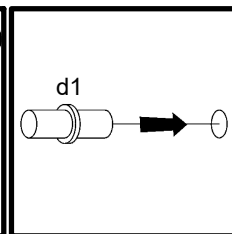
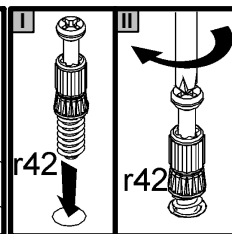
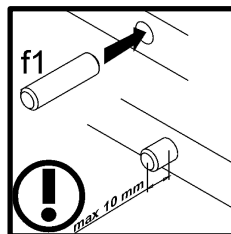
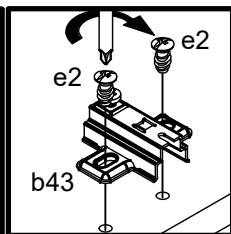
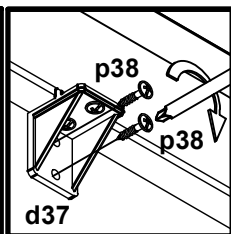
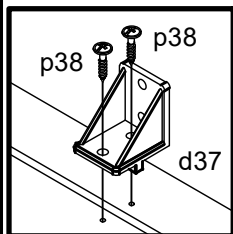
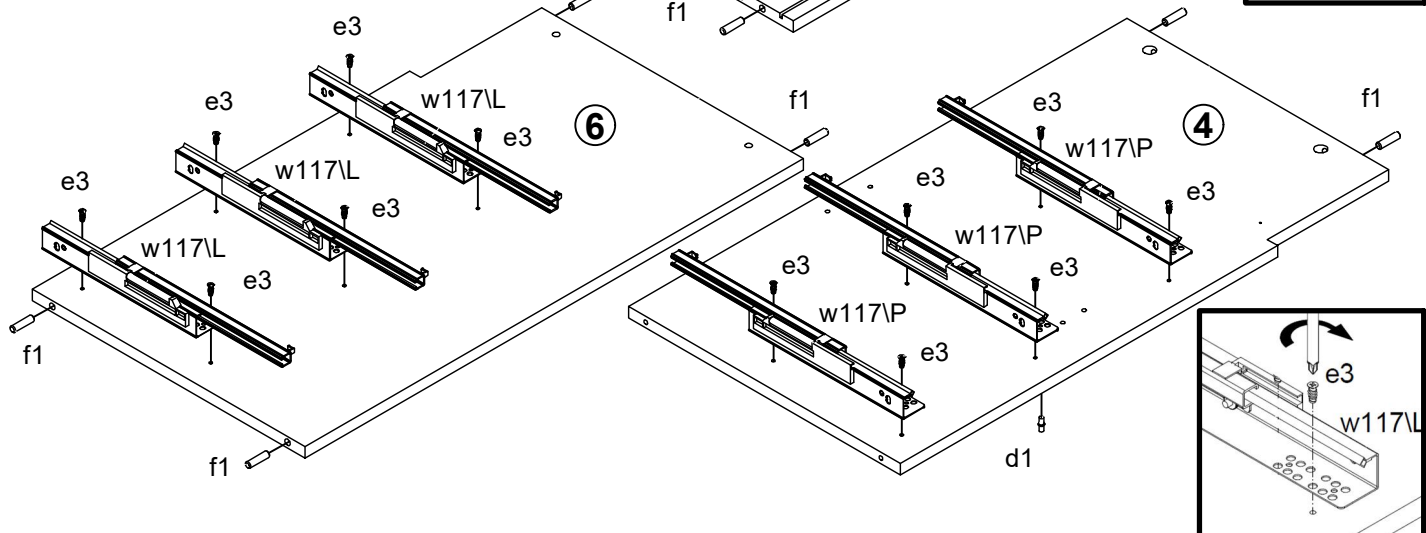
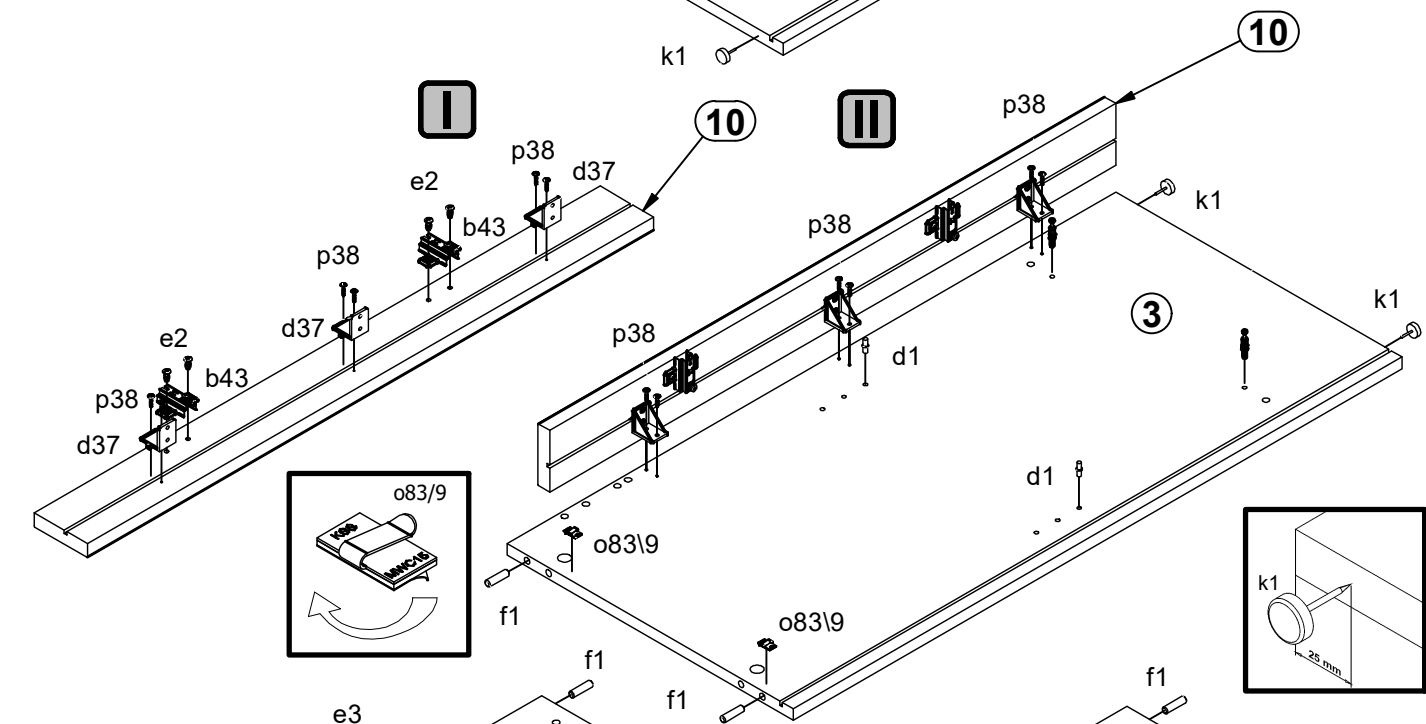
I

II

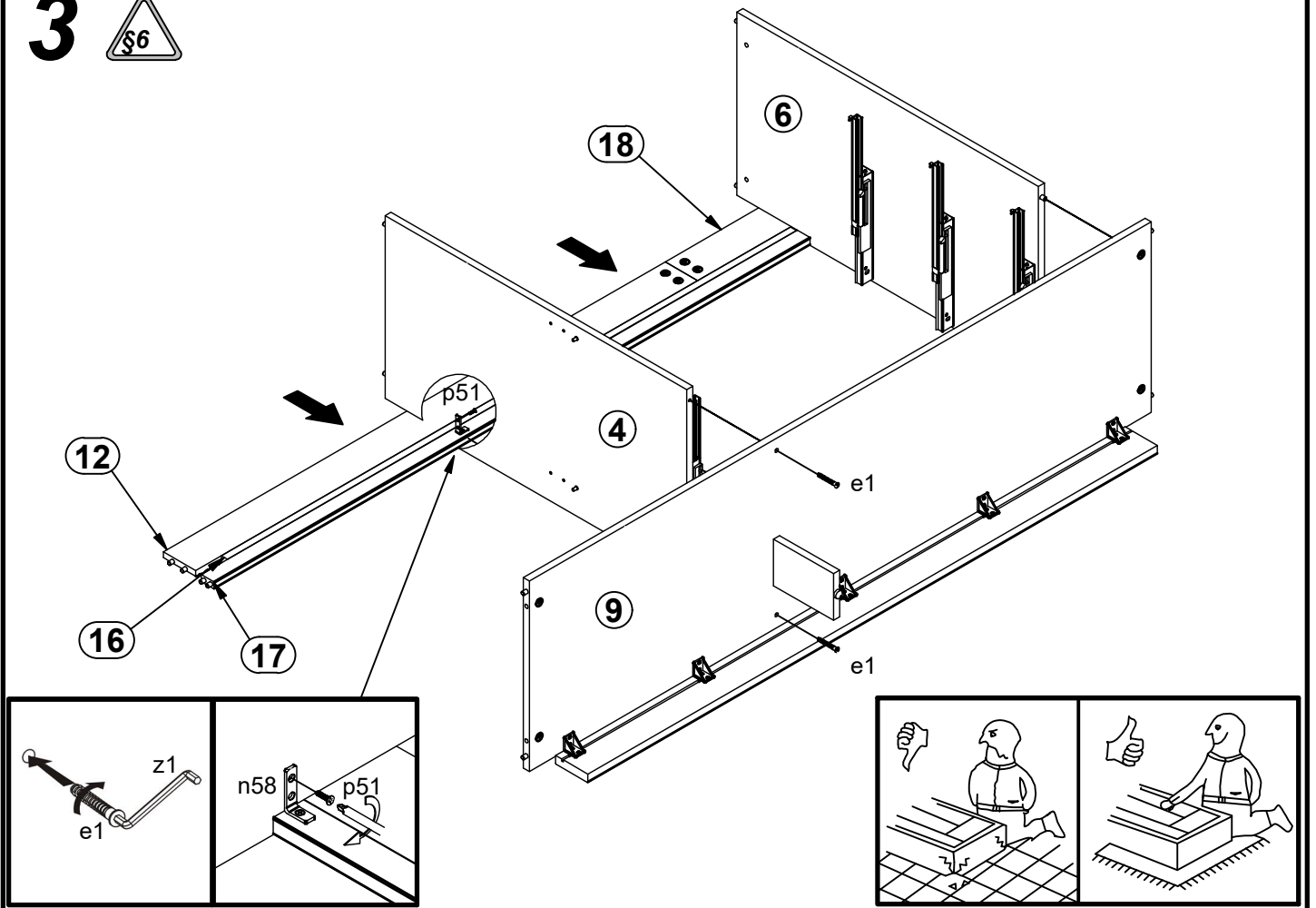


I

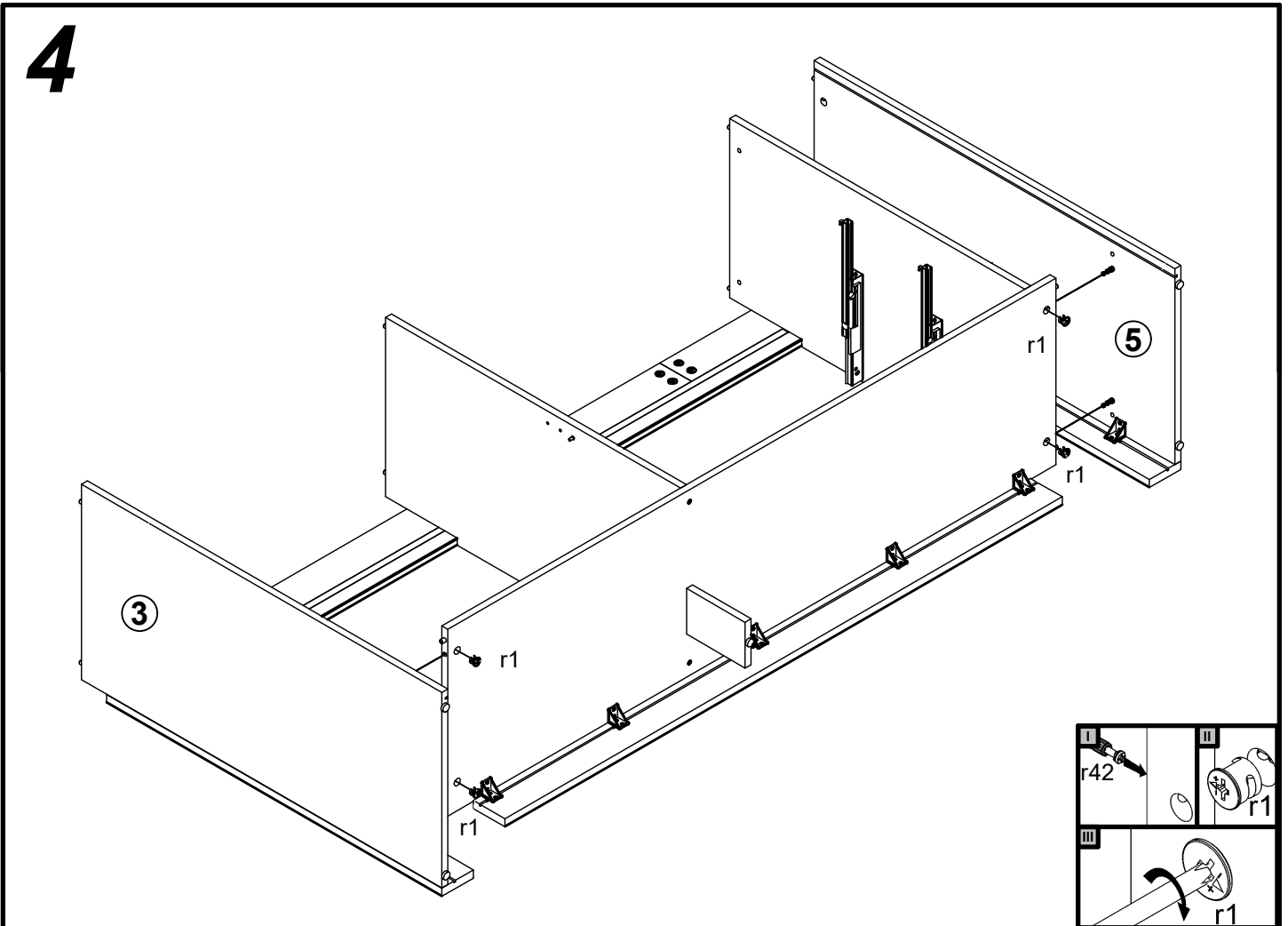
II



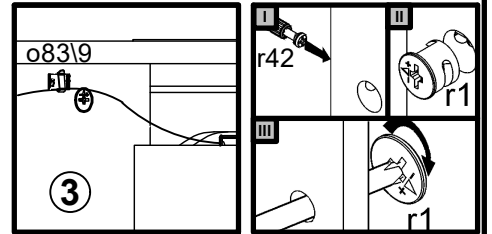
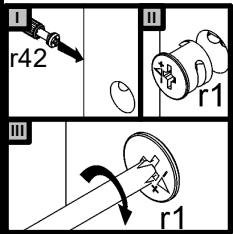
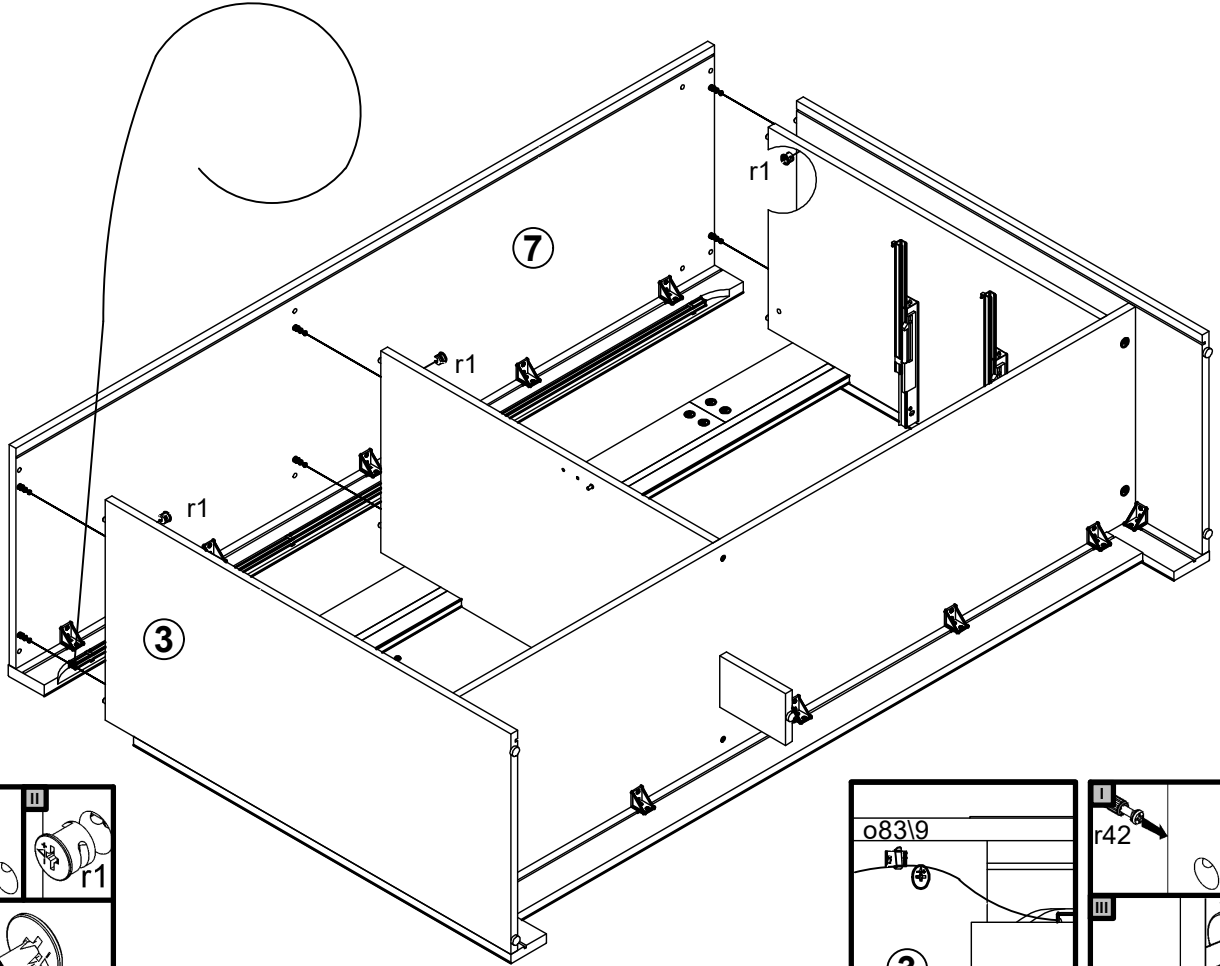
3



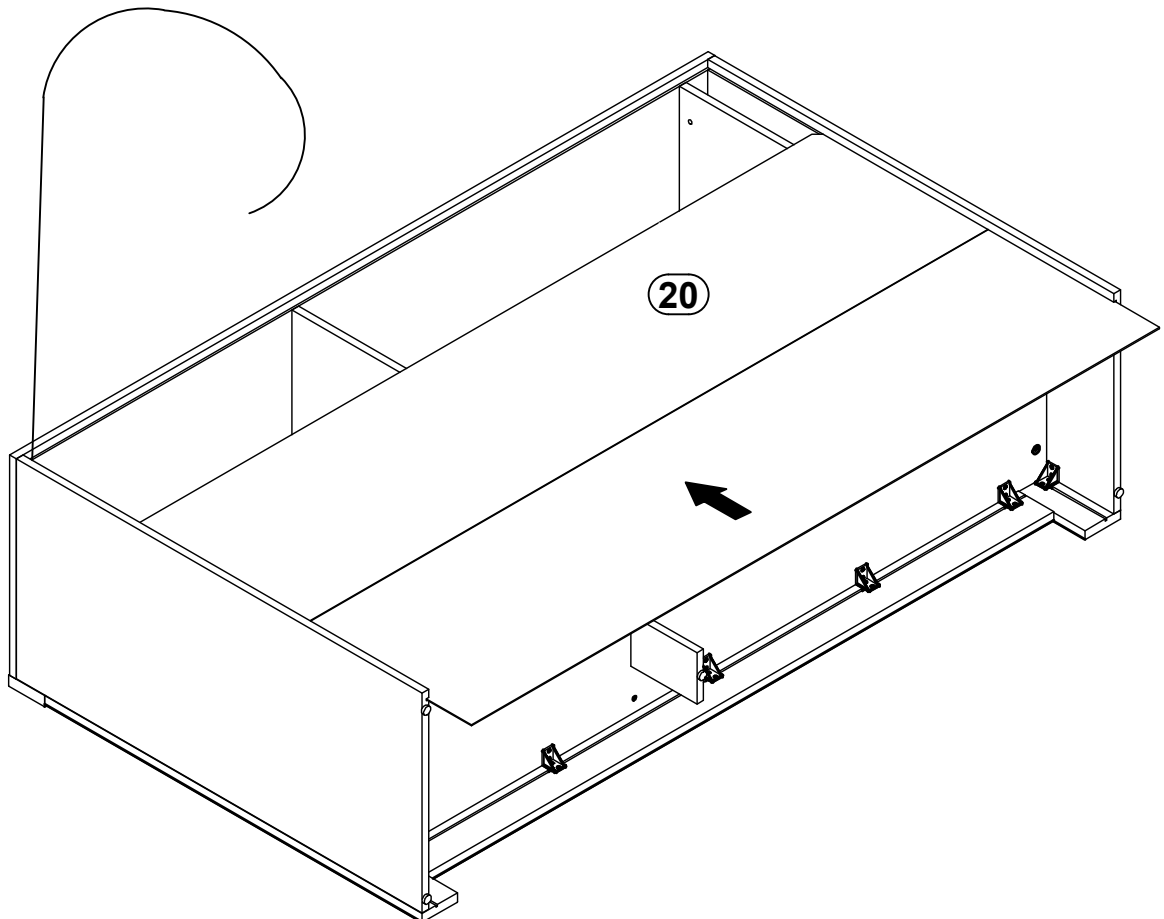
4



5

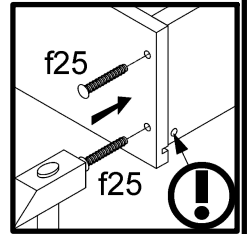
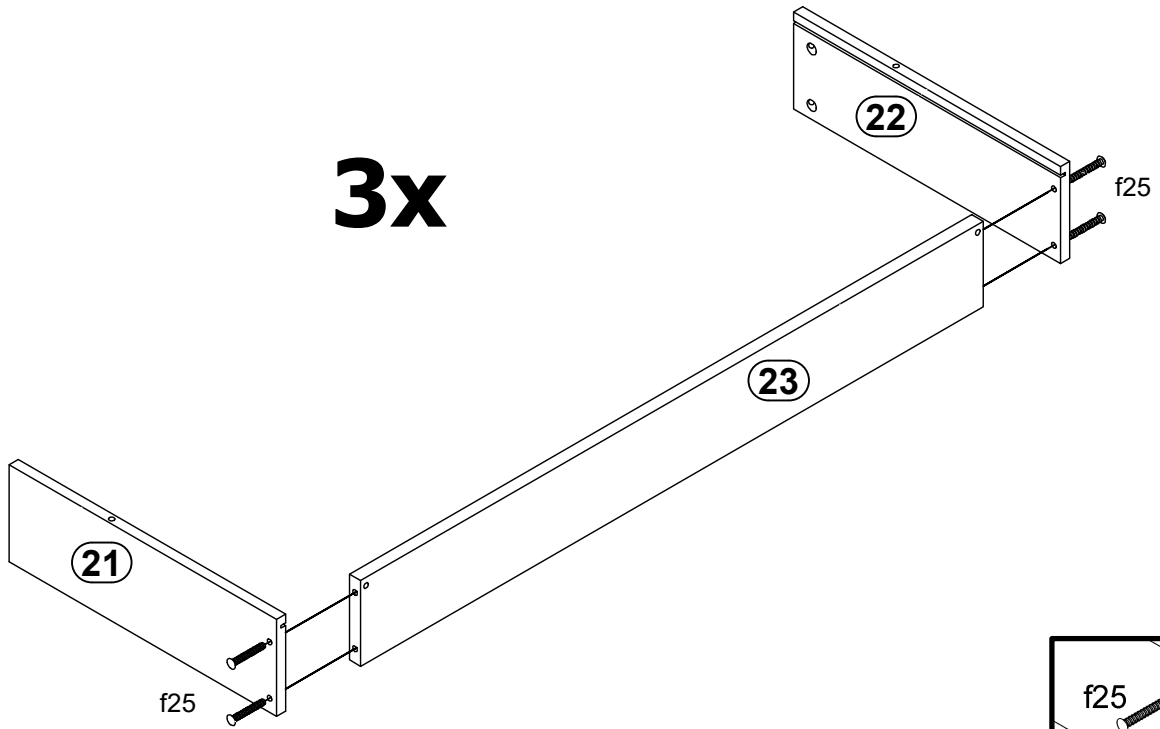


6



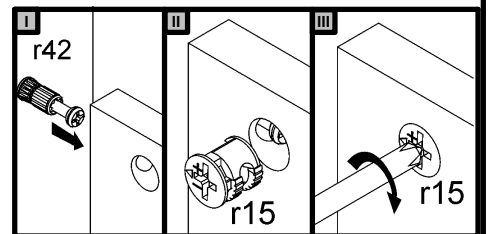
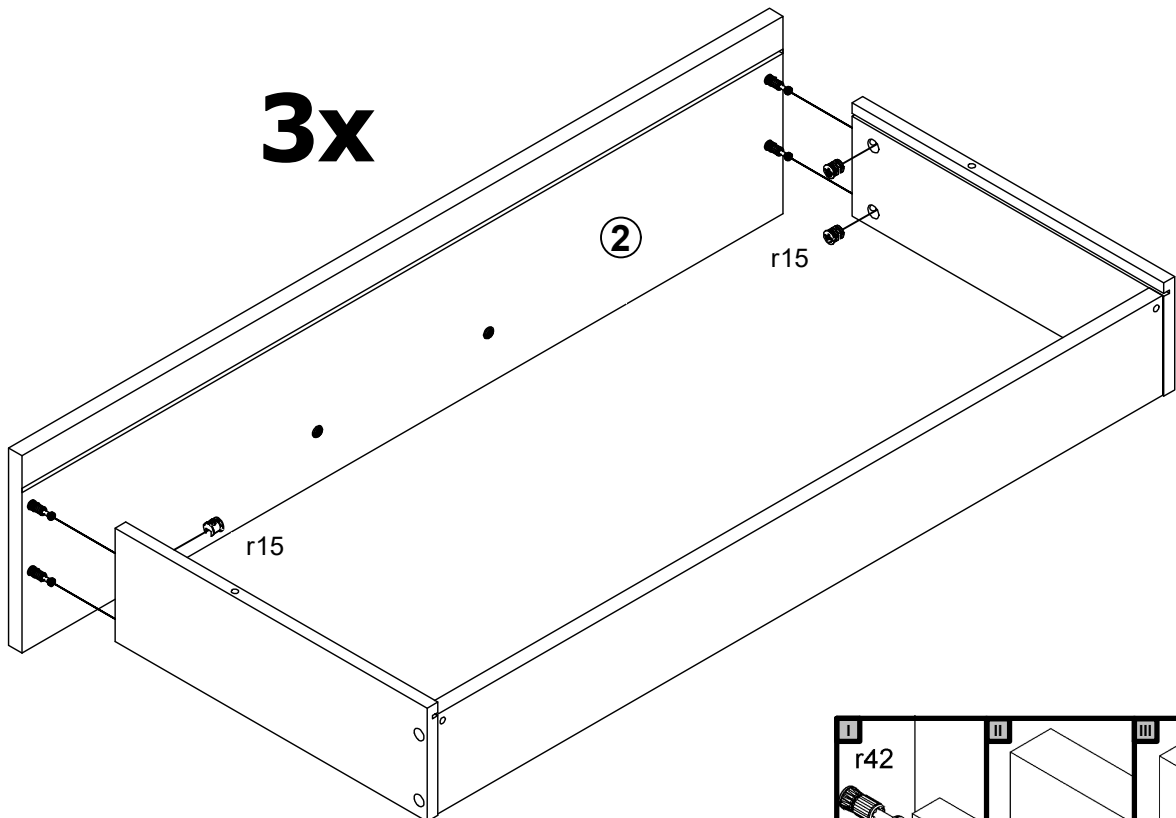
9

3x



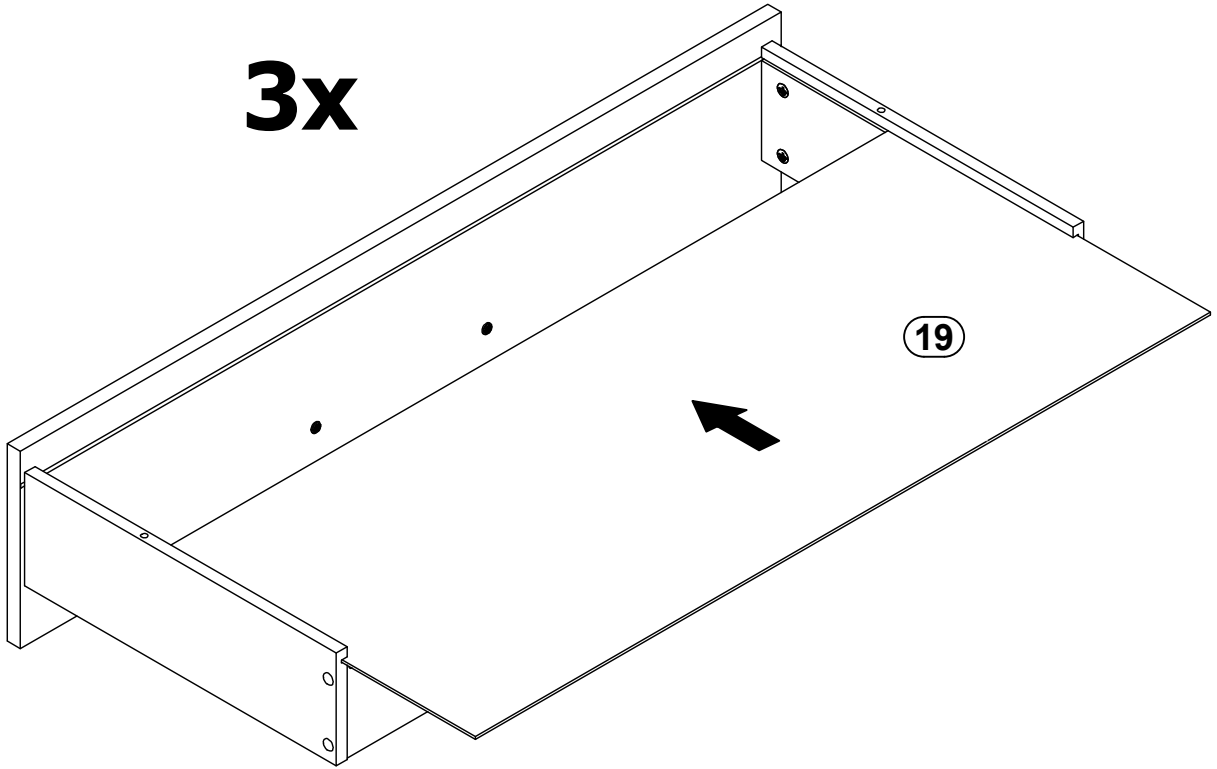
10

3x



11

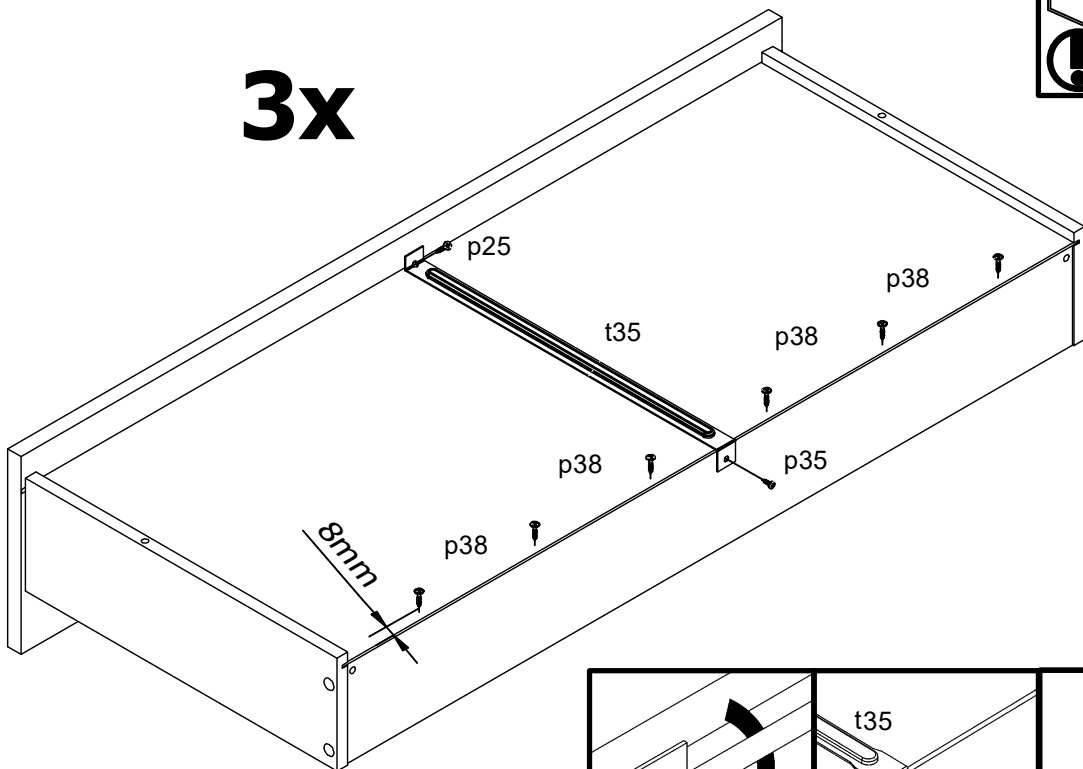
3x



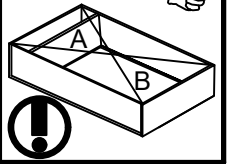
19

12

3x



A=B



p25

t35

p38

p38

p38

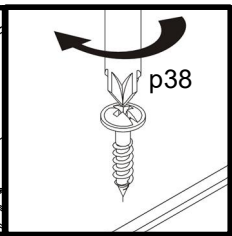
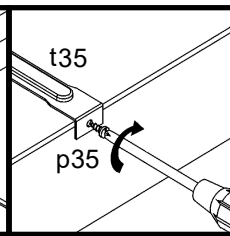
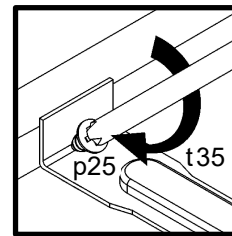
p35

8mm

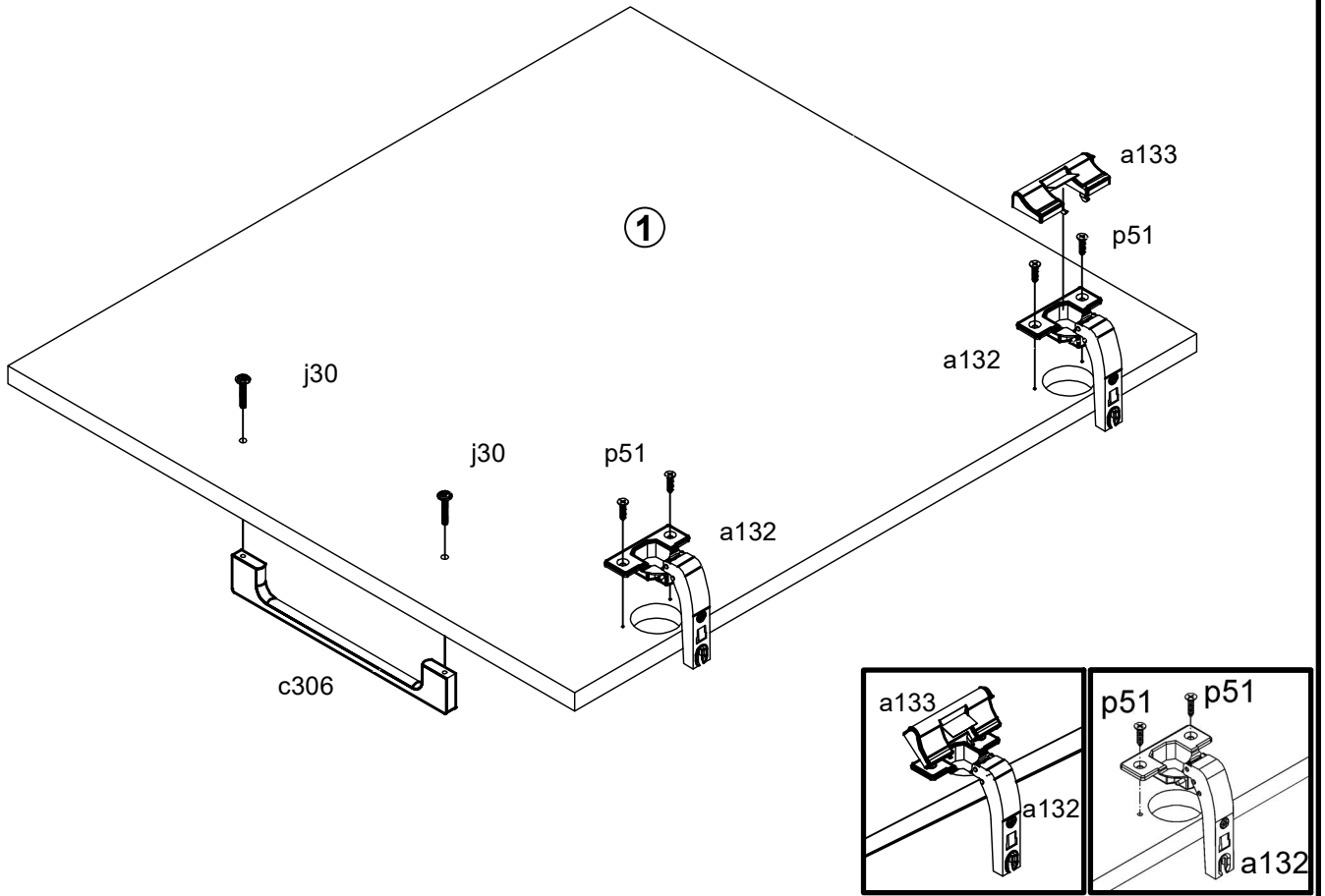
p38

p38

p35



13



14

