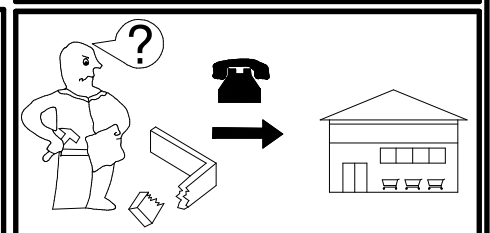
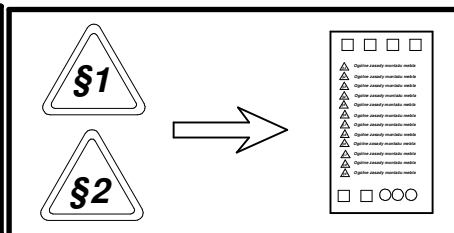
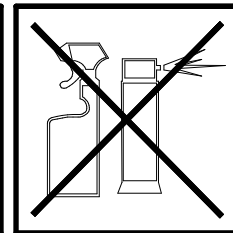
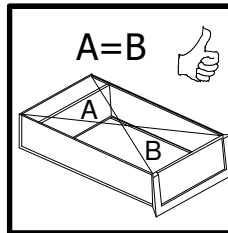
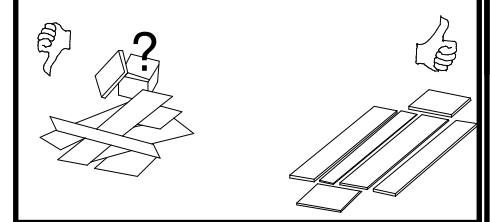
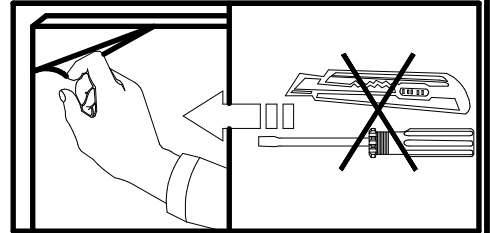
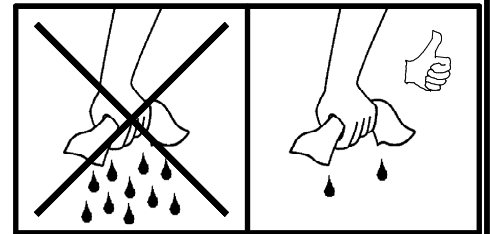
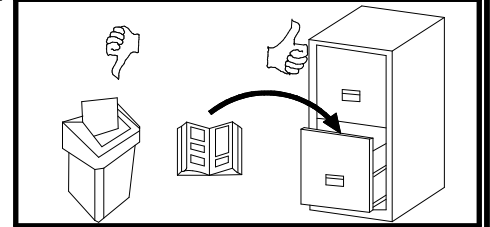
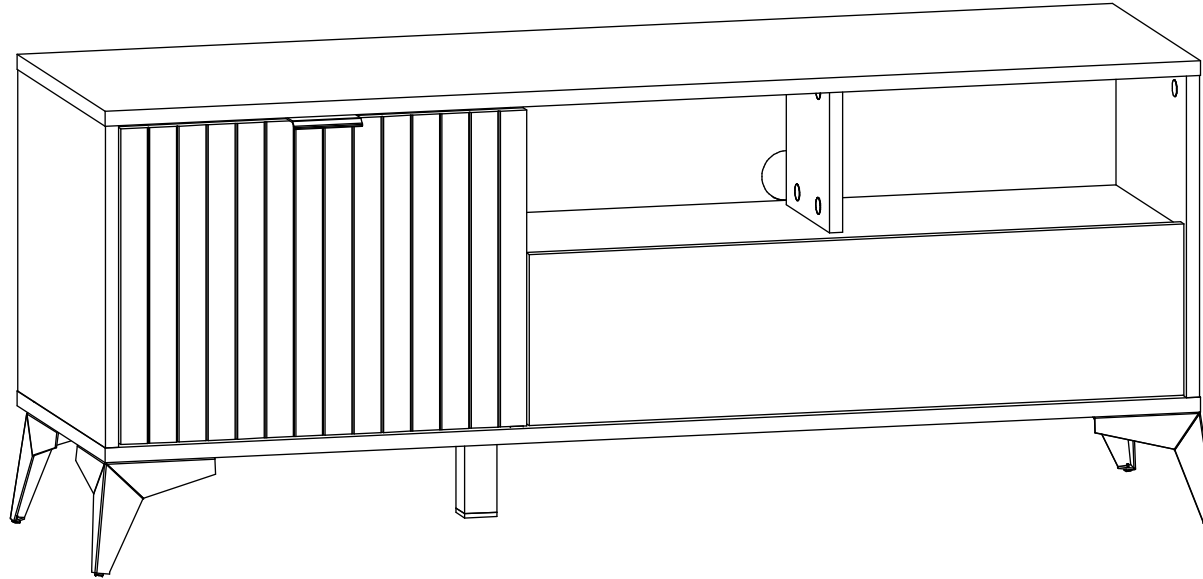
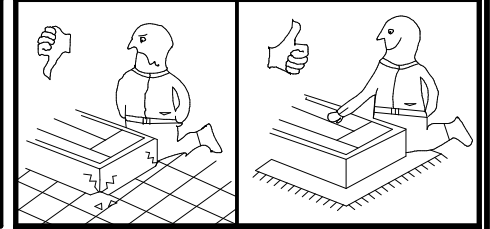
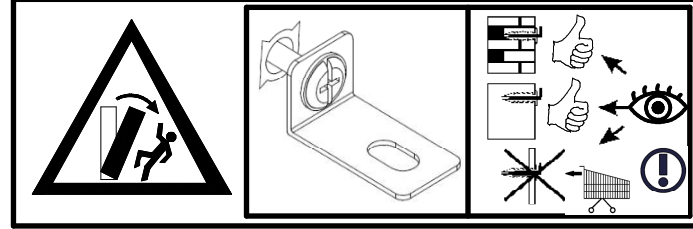
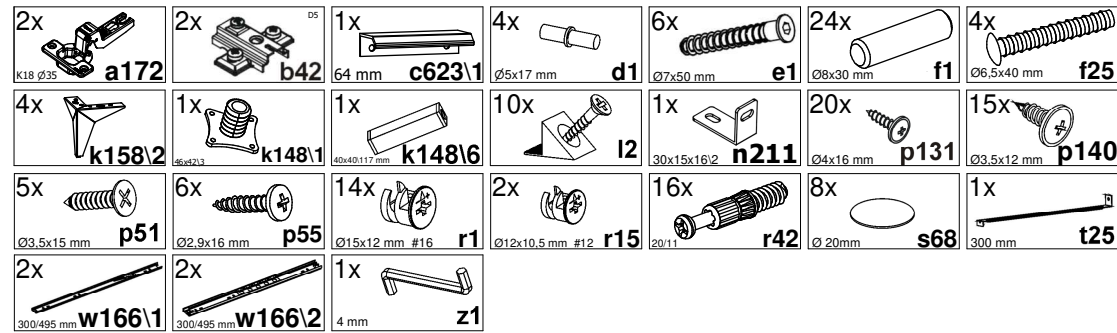
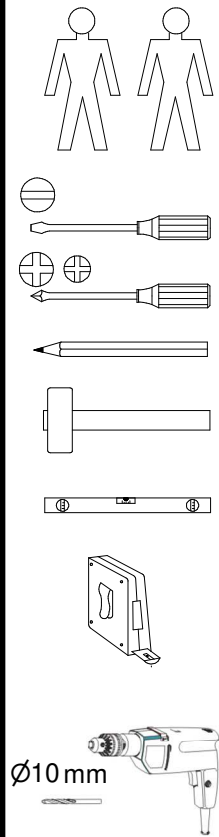


A

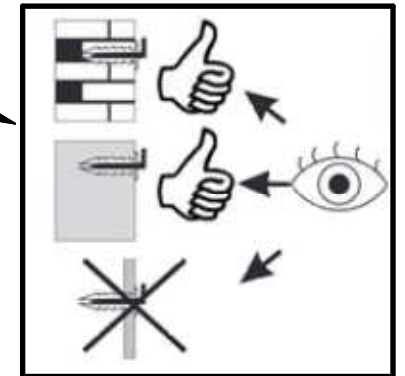
S632-RTV1D1S

LAMEA

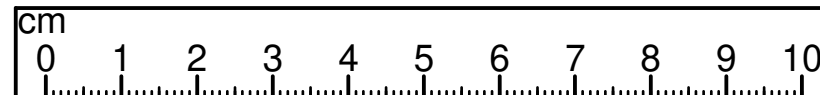


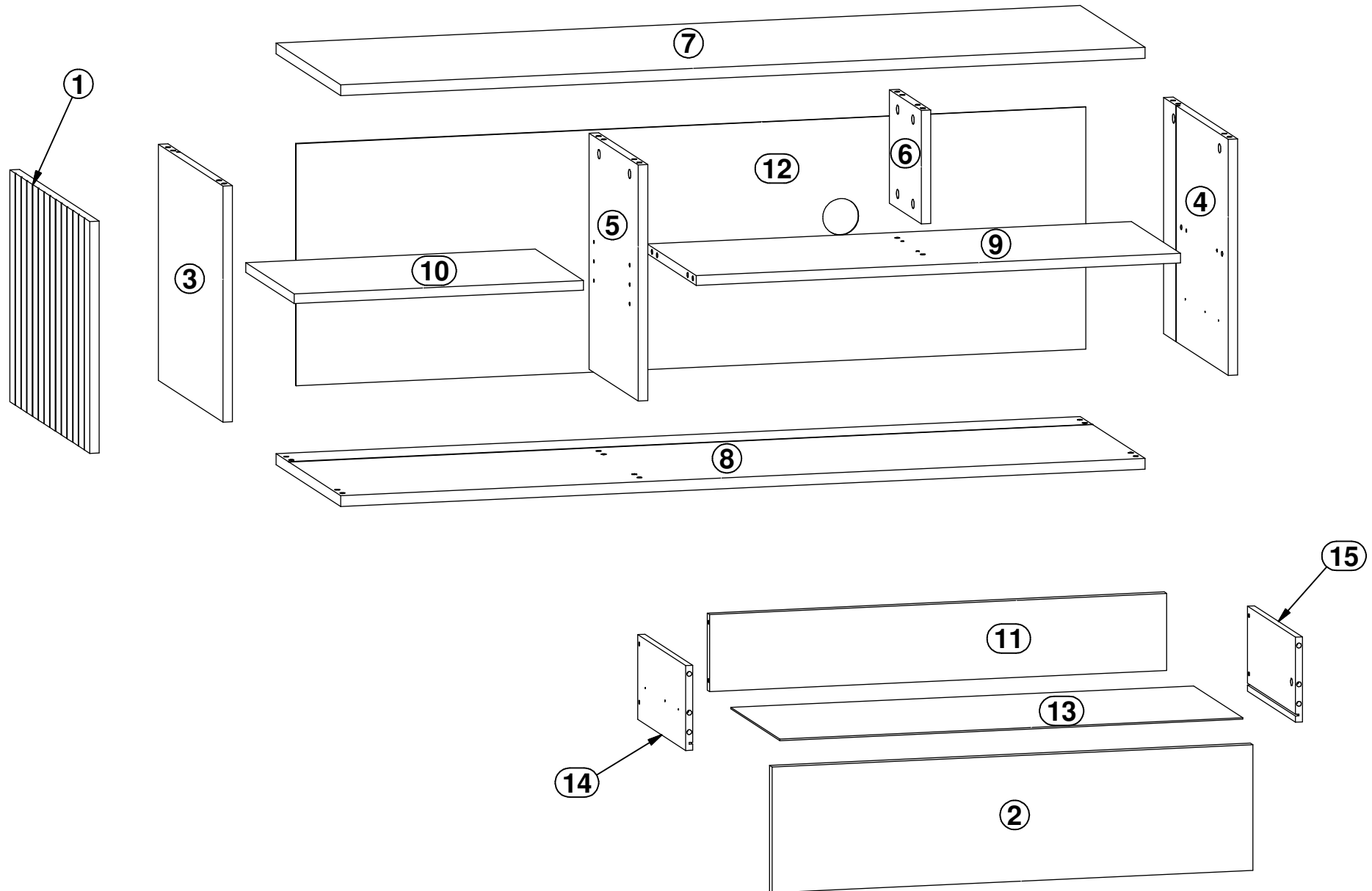


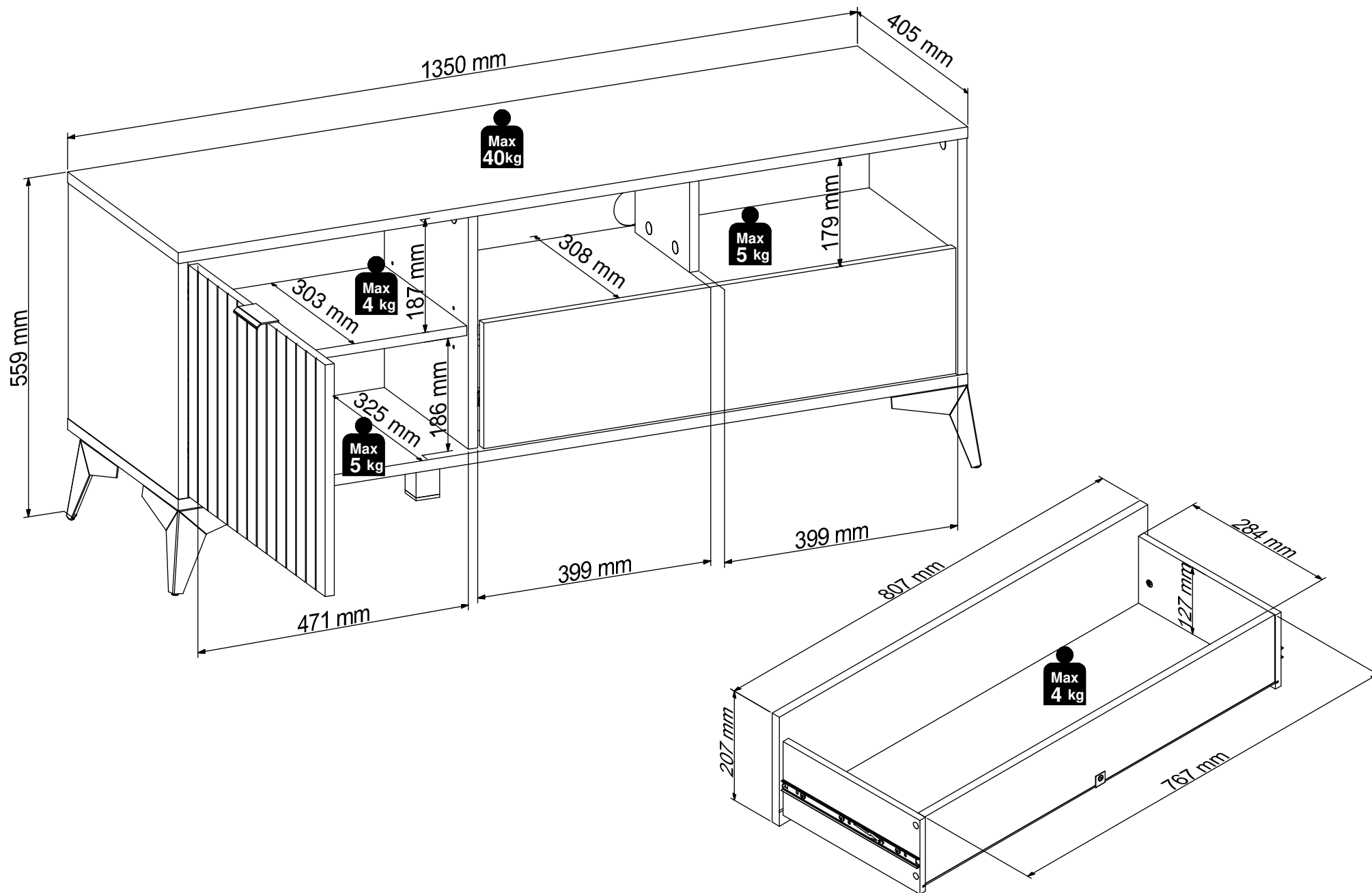
A	B1	B2	C1	C2	C3	D
1	S632-0016	-2	382	500	16	1/3
2	S632-0017	-1	807	207	16	2/3
3	S632-1016	-2	389	404	16	1/3
4	S632-1017	-1	389	404	16	1/3
5	S632-1018	-1	389	308	16	2/3
6	S632-1019	-1	187	200	16	2/3
7	S632-2014	-1	1350	405	18	1/3
8	S632-2015	-1	1350	405	18	1/3
9	S632-3012	-1	813	308	16	2/3
10	S632-3013	-1	486	303	16	2/3
11	S632-5007	-1	767	127	15	2/3
12	S632-9010	-2	1326	399	2,5	1/3
13	S632-9011	-1	777	307	2,5	2/3
14	WSK3-5003	-4	300	140	12	2/3
15	WSK3-5004	-4	300	140	12	2/3



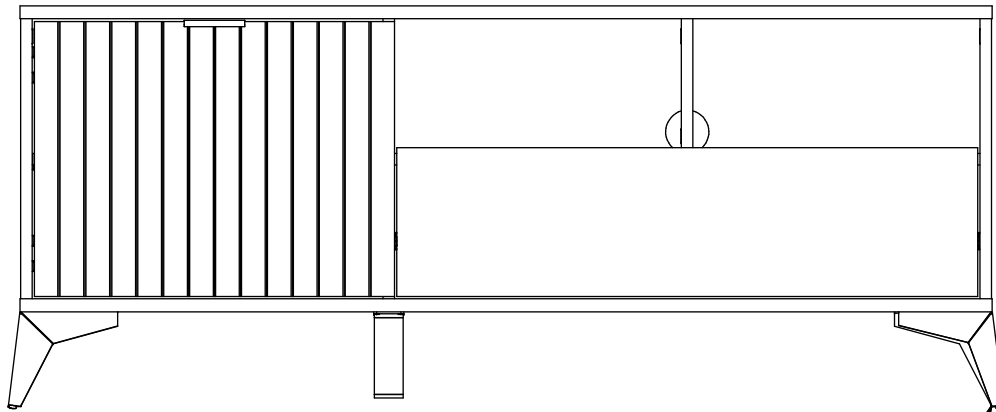
40 min



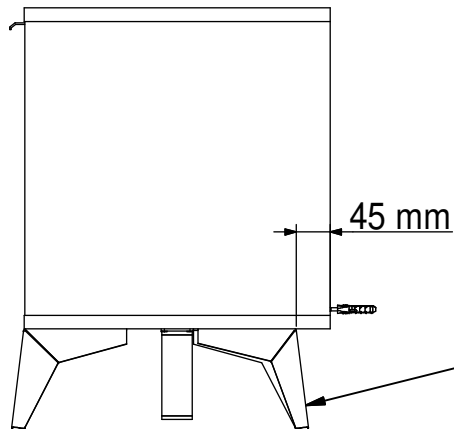
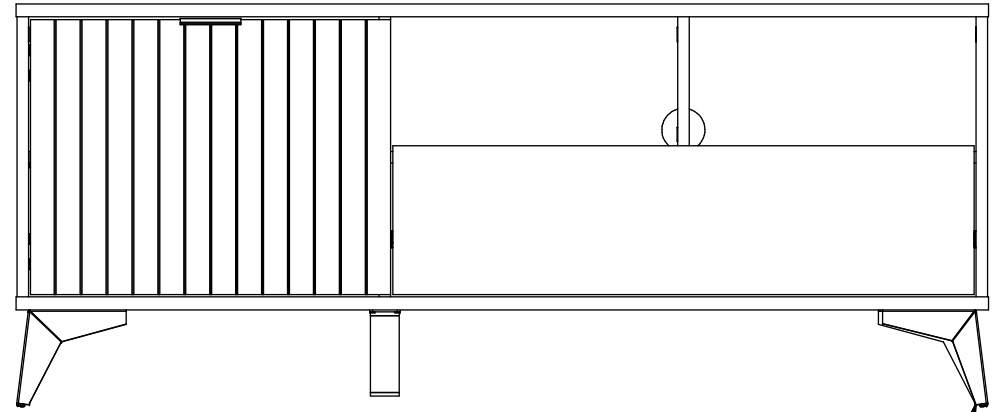




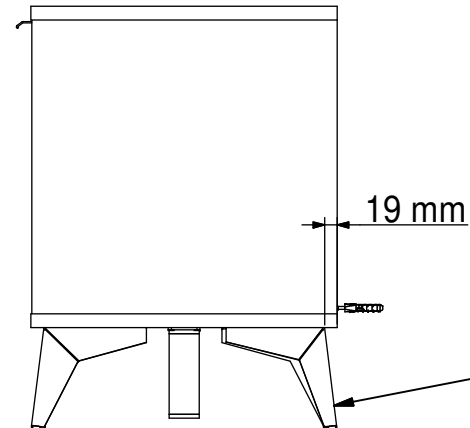
A



B

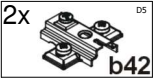
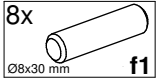

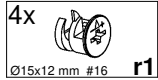
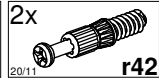



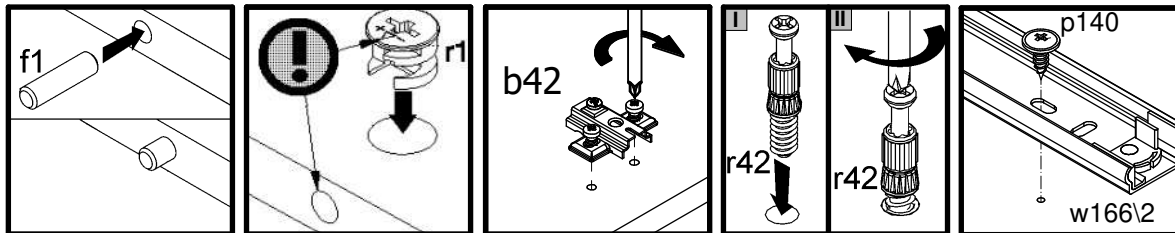
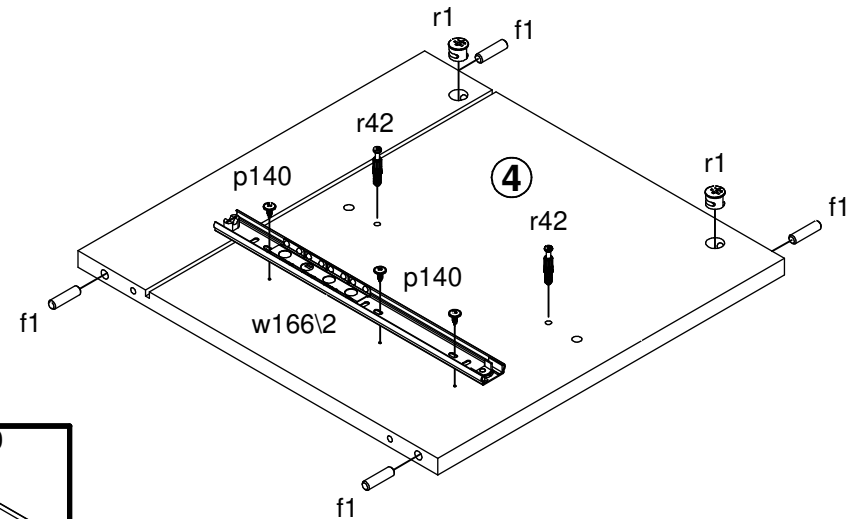
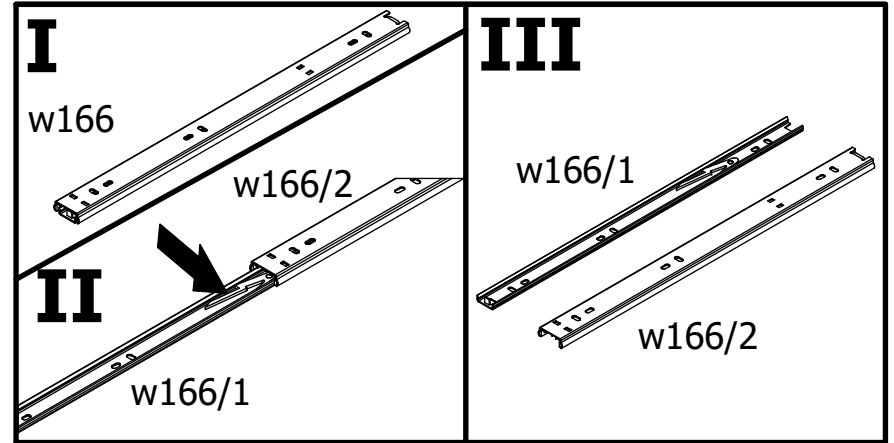
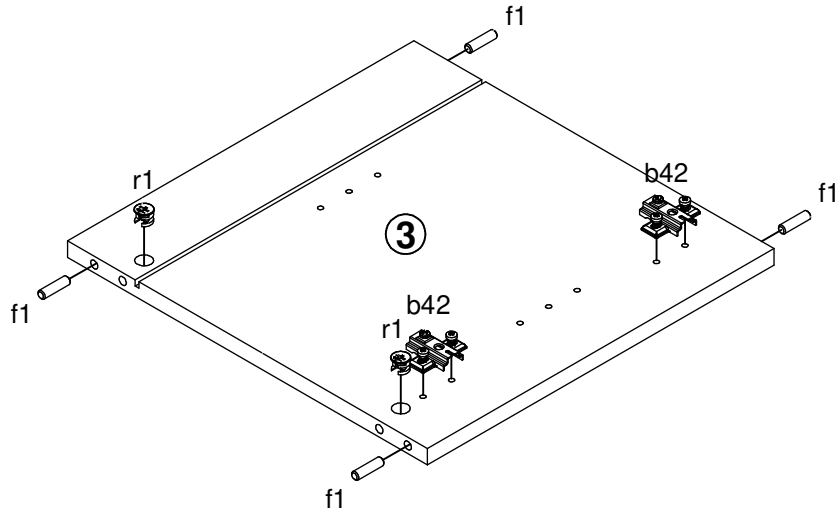
45 mm



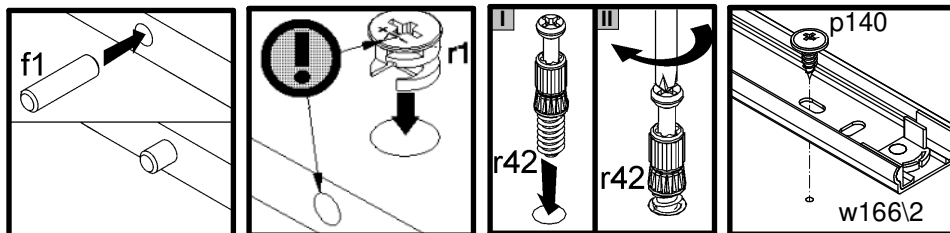
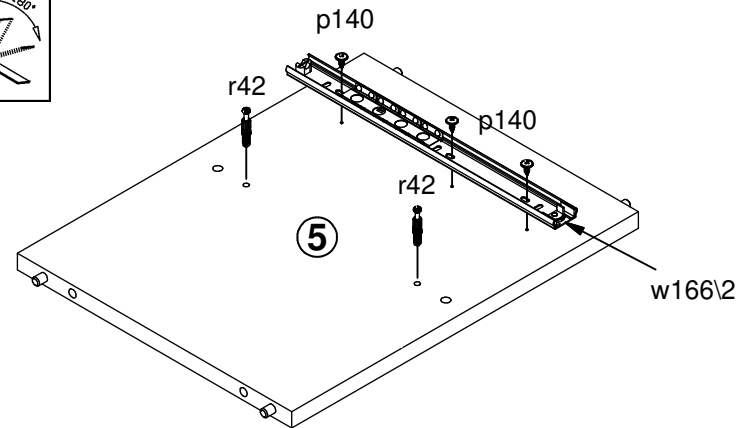
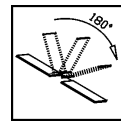
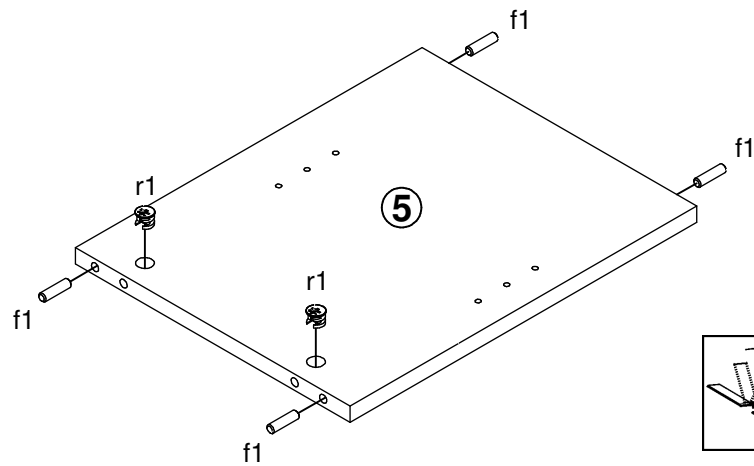
19 mm

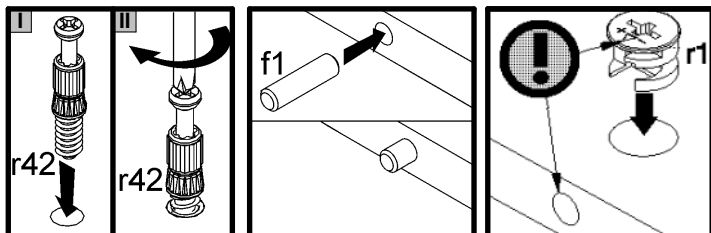
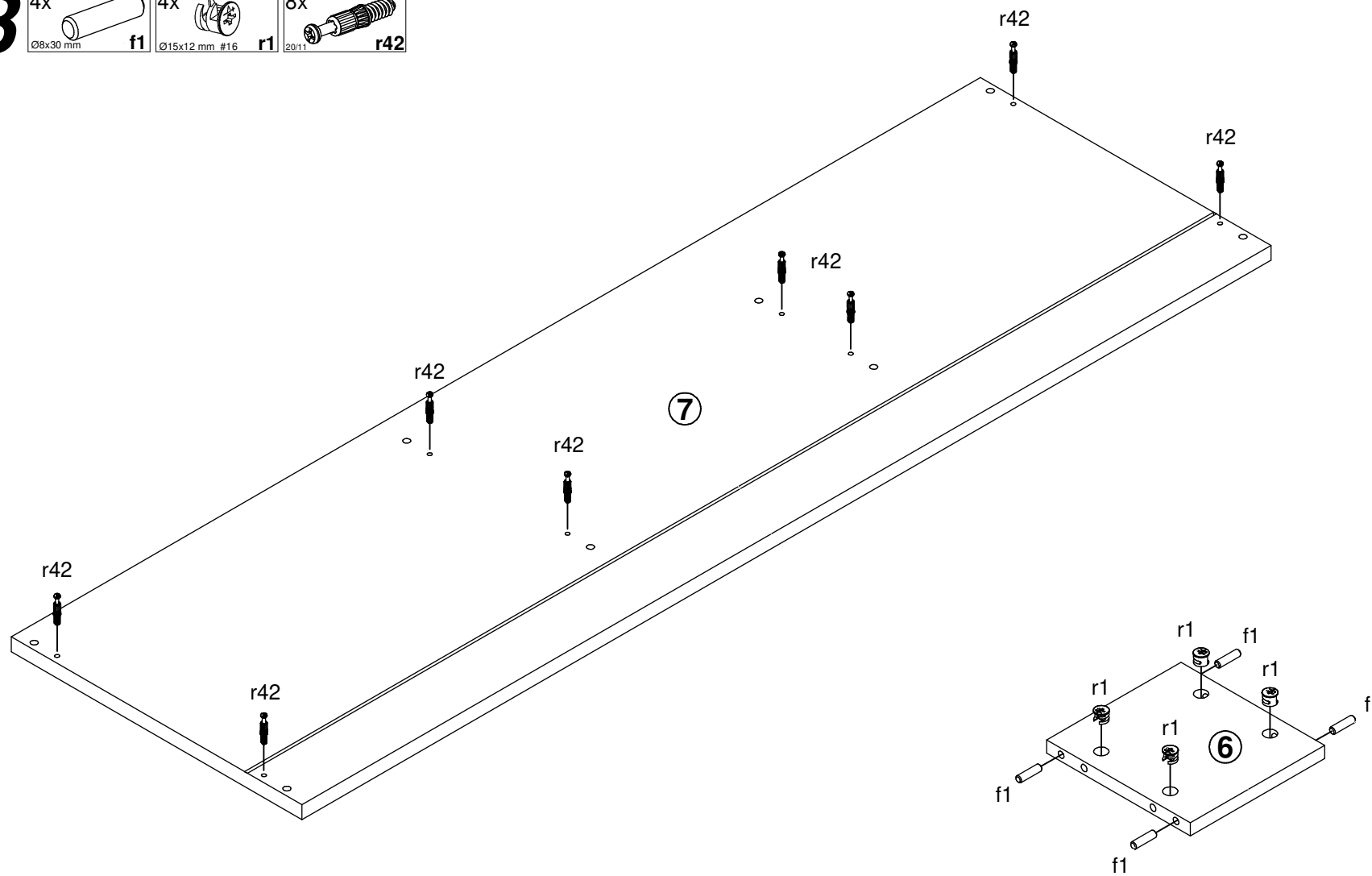
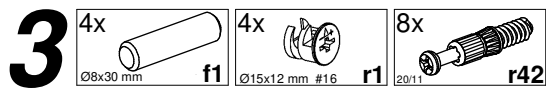


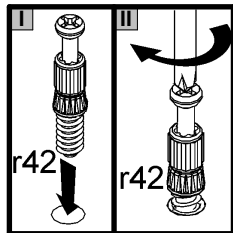
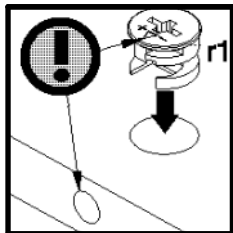
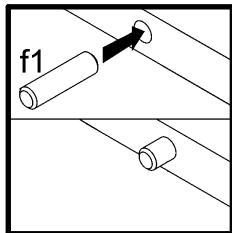
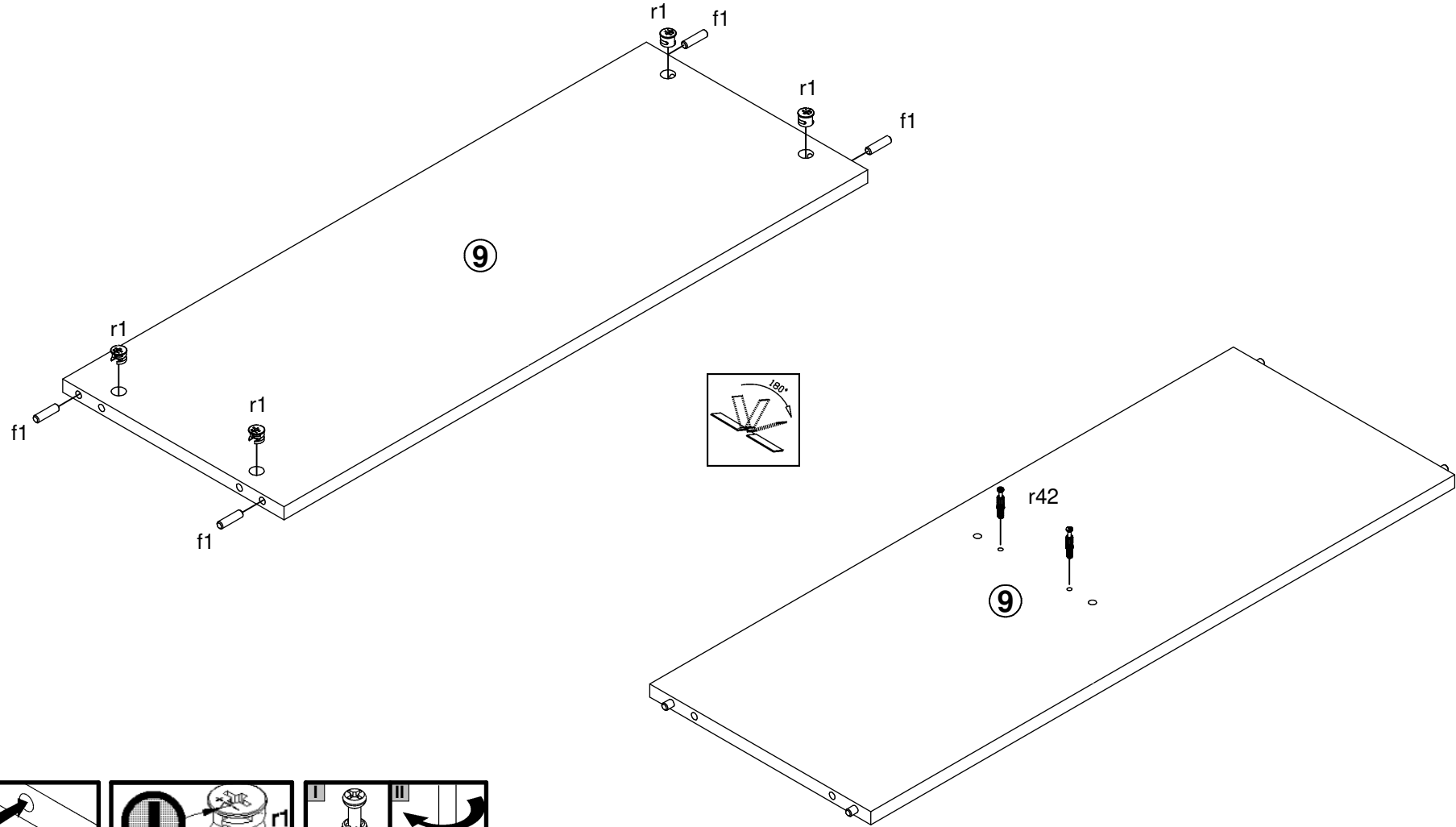
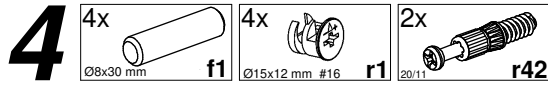
- 1 2x  b42
- 8x  f1
- 3x  p140
- 4x  r1
- 2x  r42
- 1x  w166\2



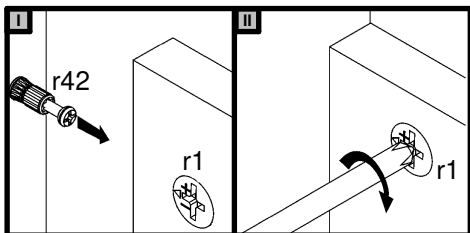
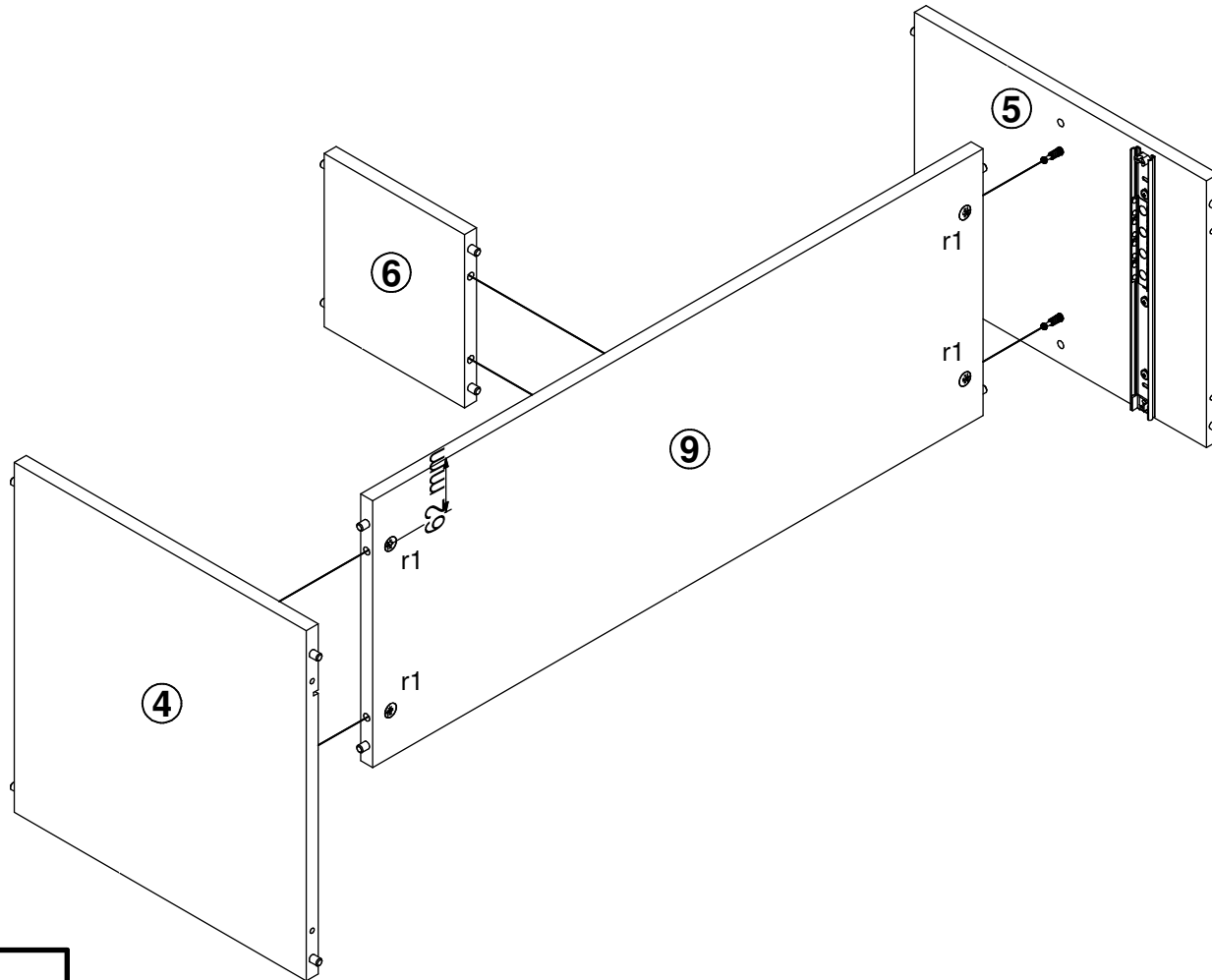
- 2 4x Ø8x30 mm f1
- 3x Ø3,5x12 mm p140
- 2x Ø15x12 mm #16 r1
- 2x 20/11 r42
- 1x 300/495 mm w166\2



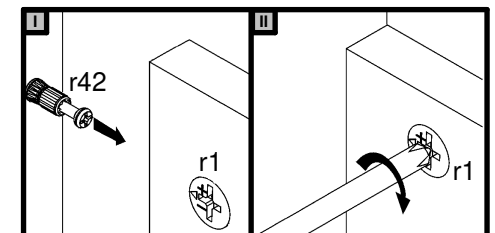
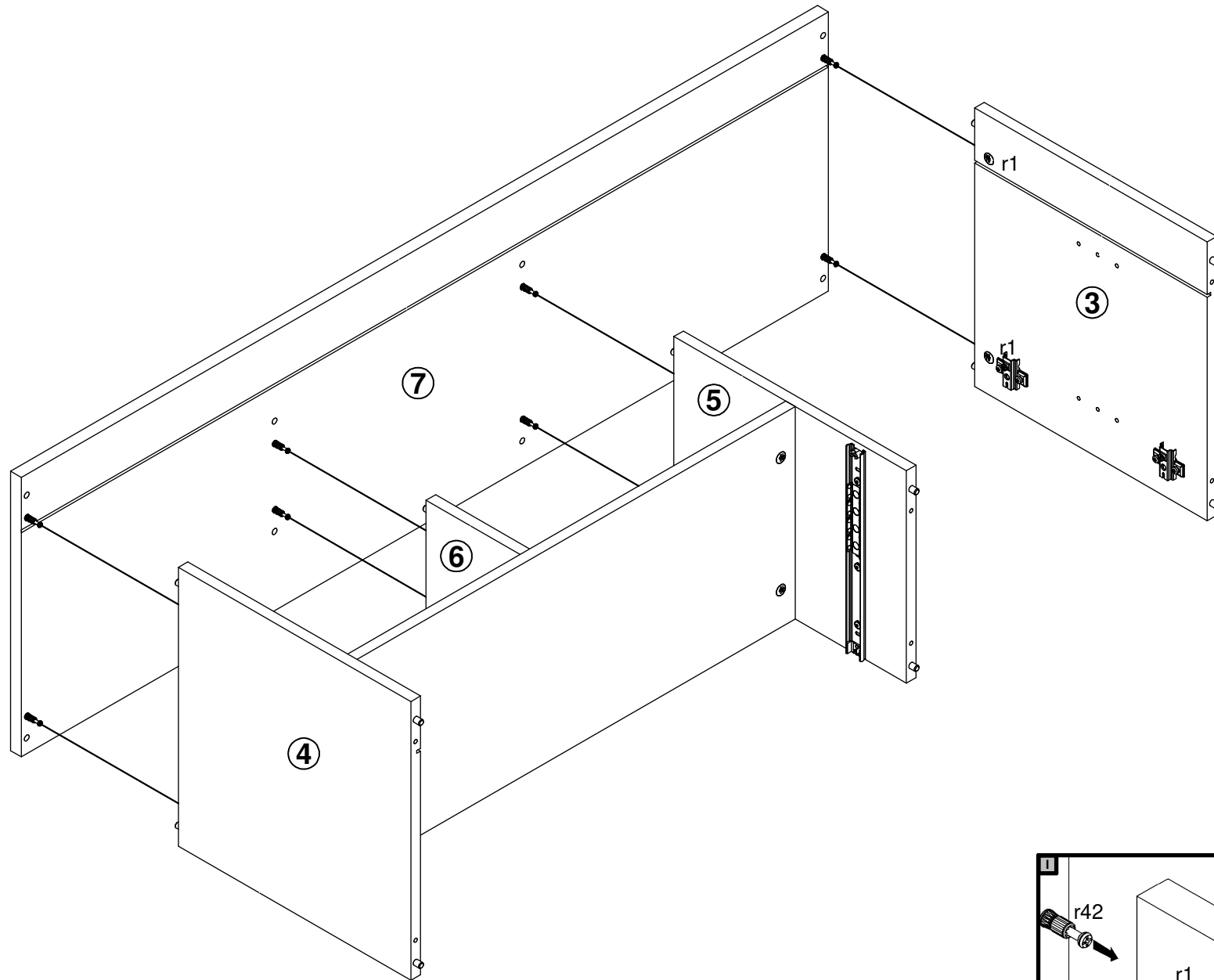


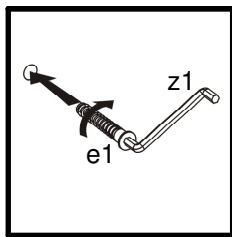
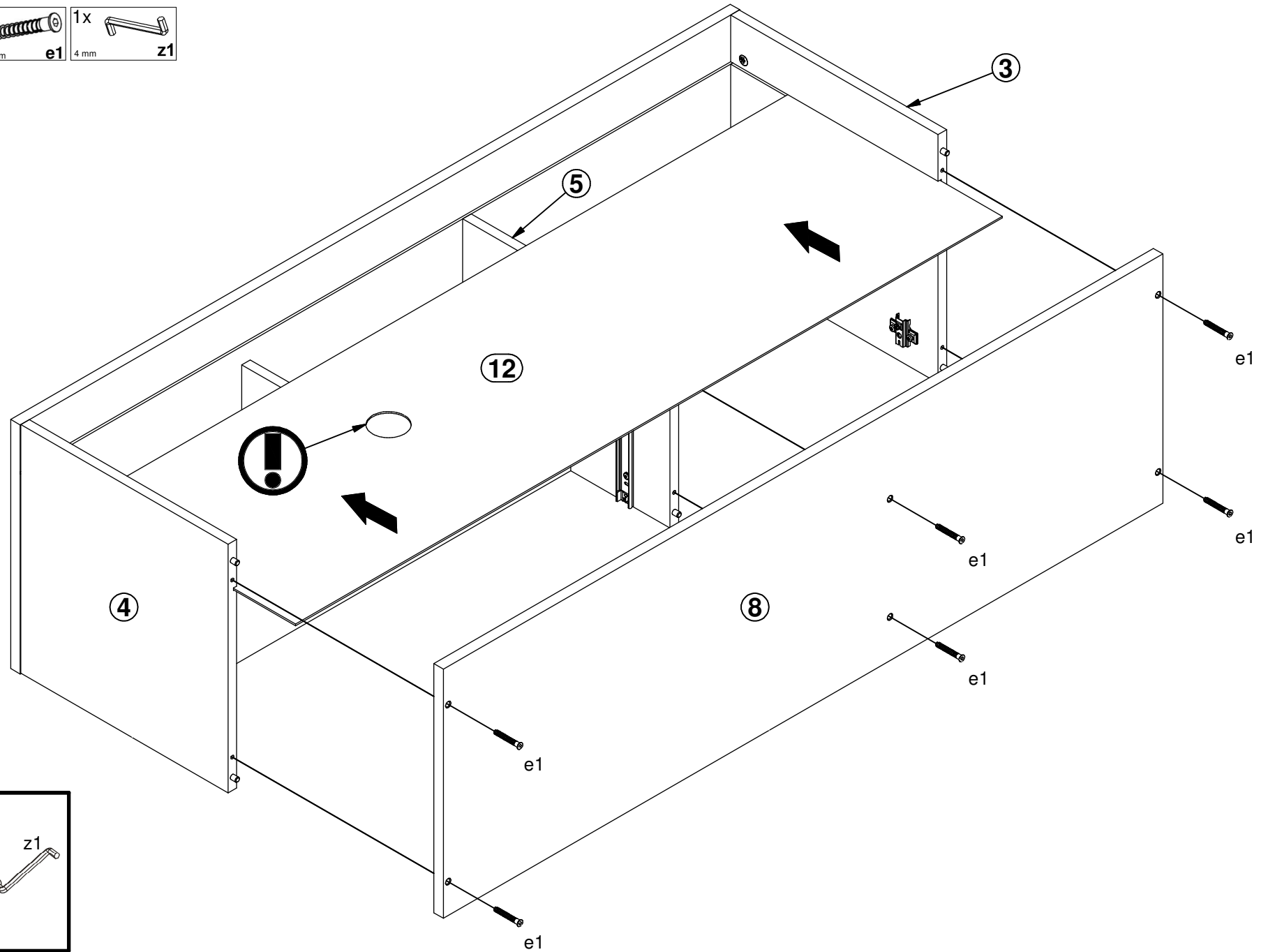
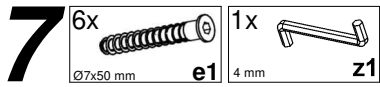



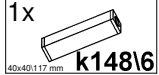


5

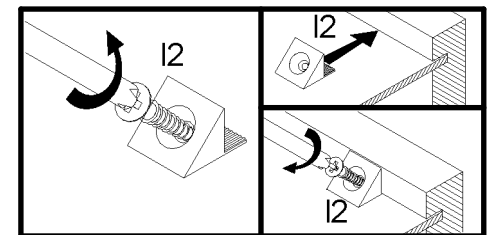
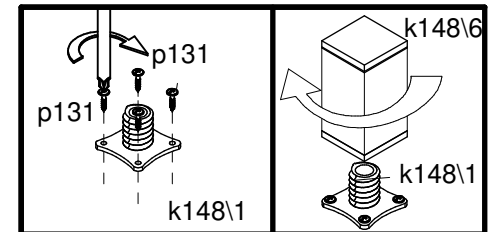
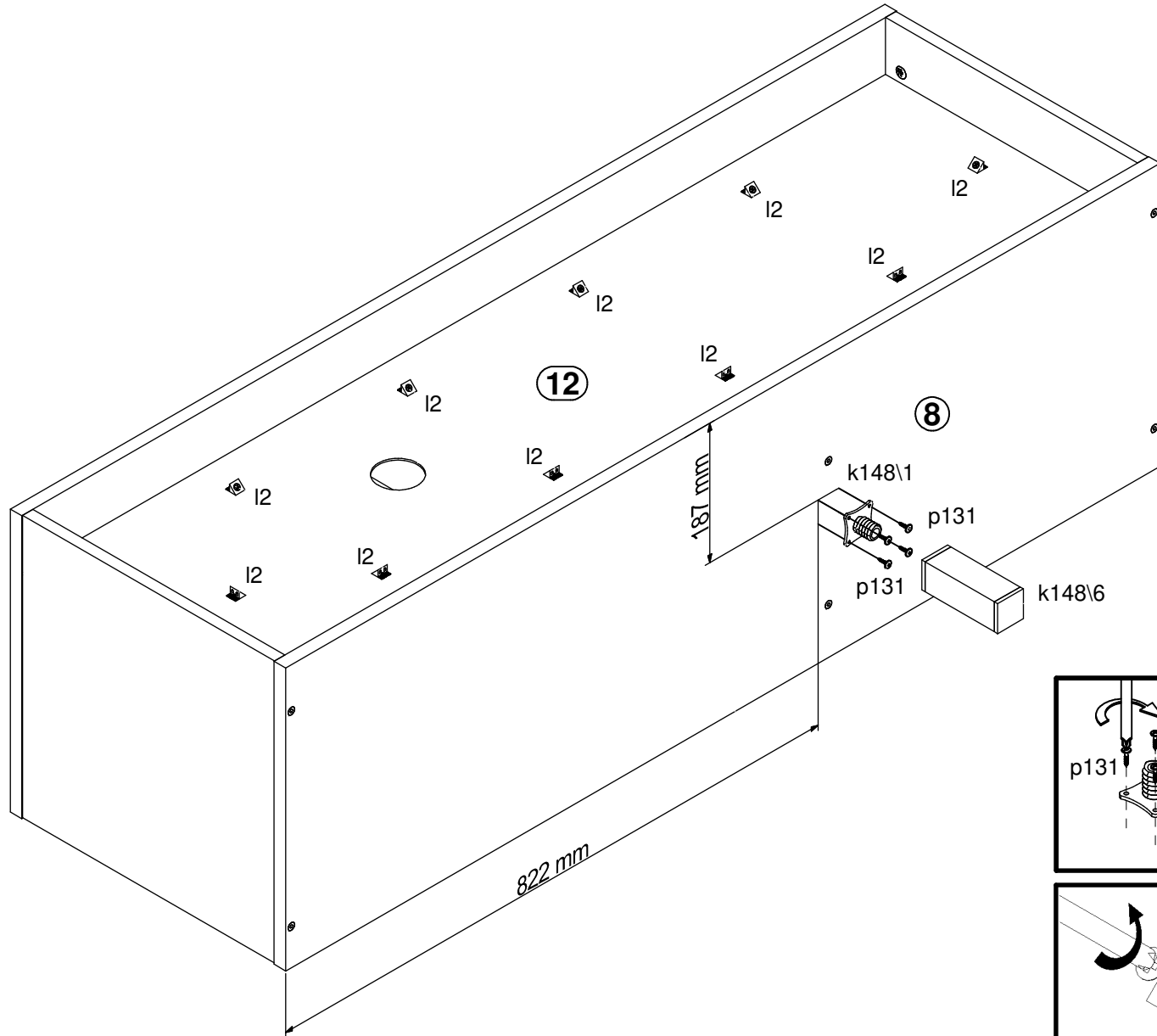
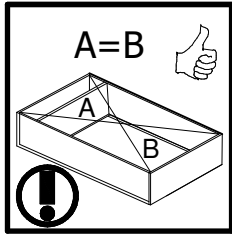




6

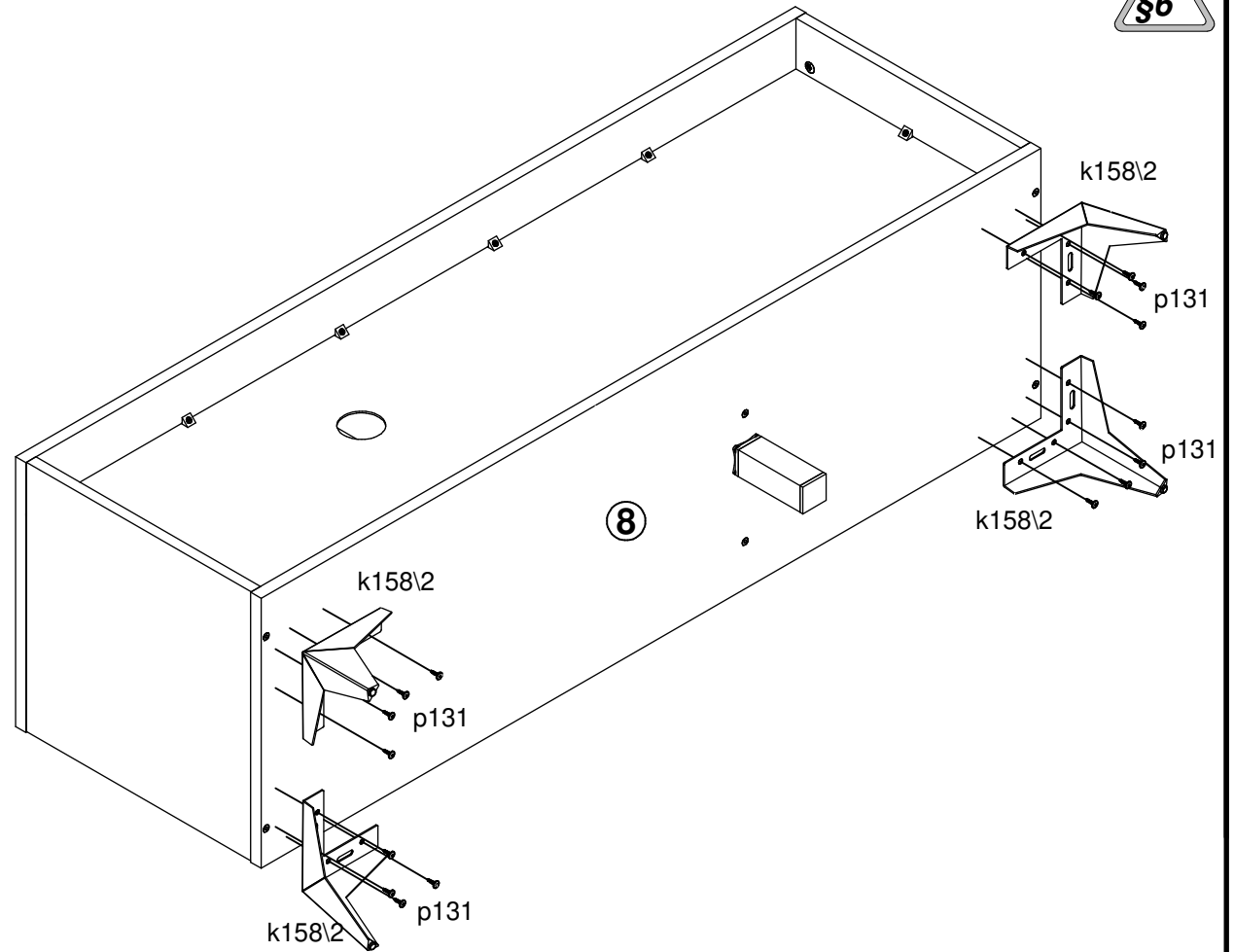
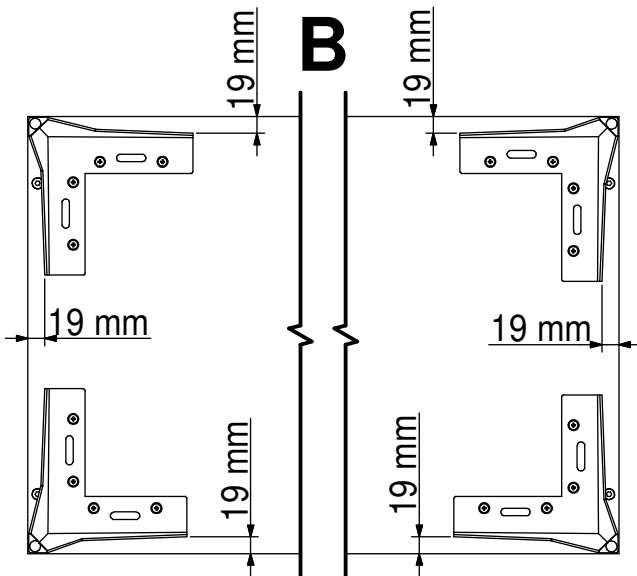
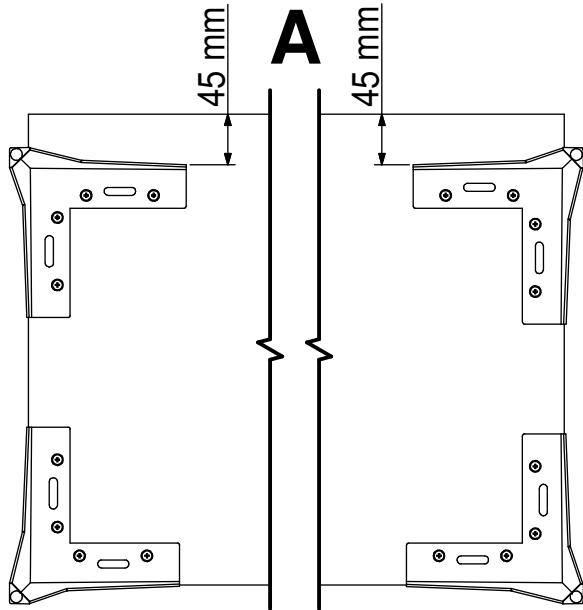




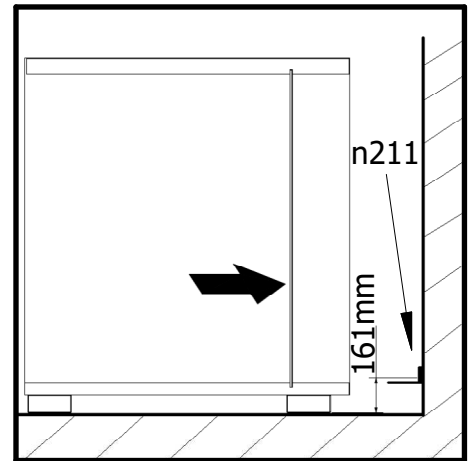
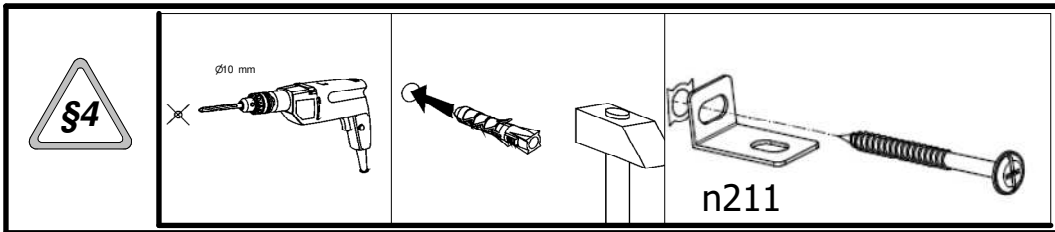
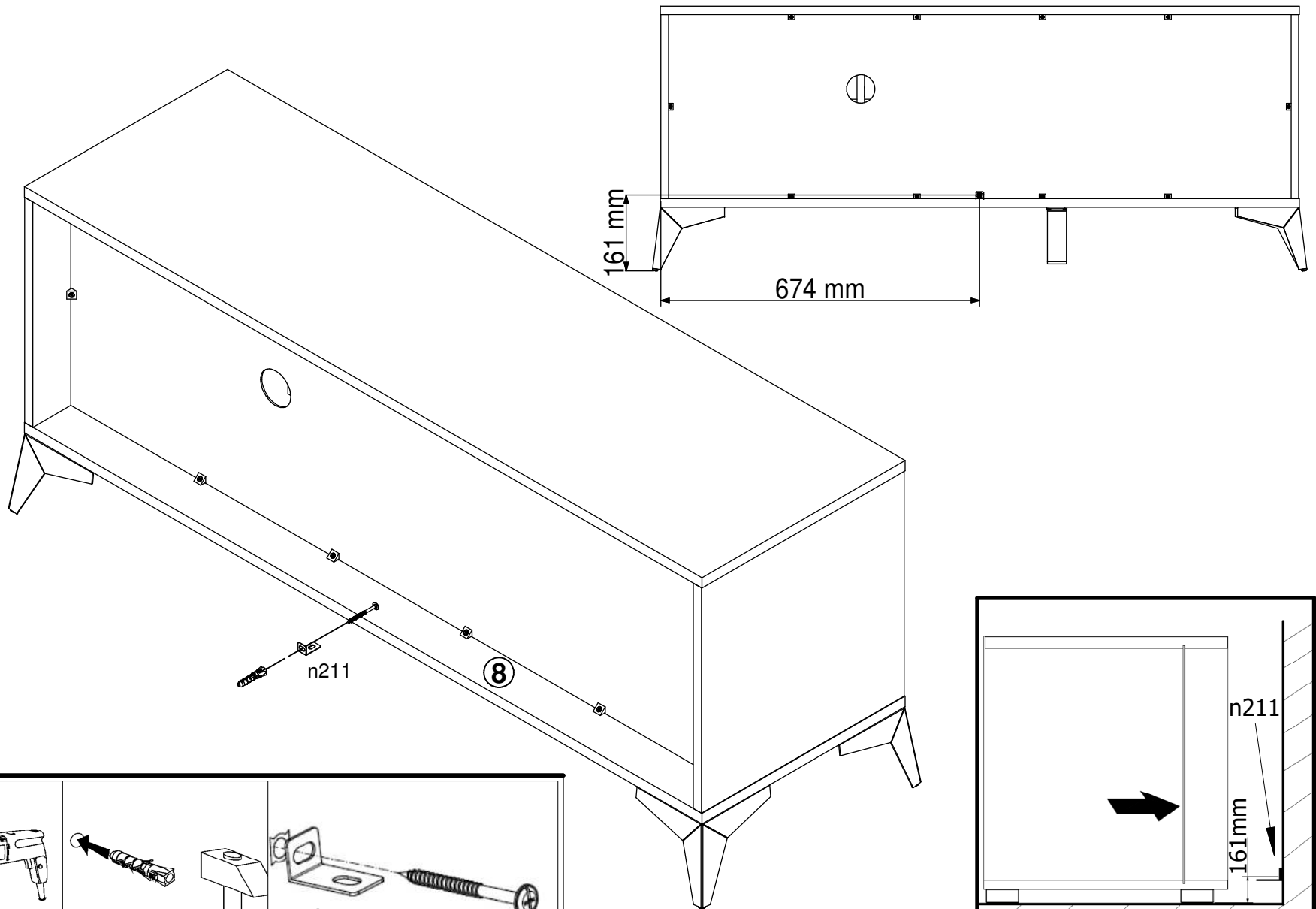
- 8 1x  k148\1
- 1x  k148\6
- 10x  I2
- 4x  p131

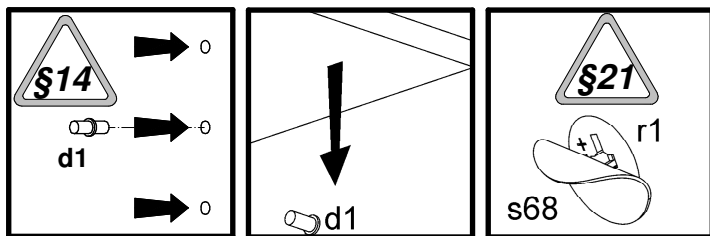
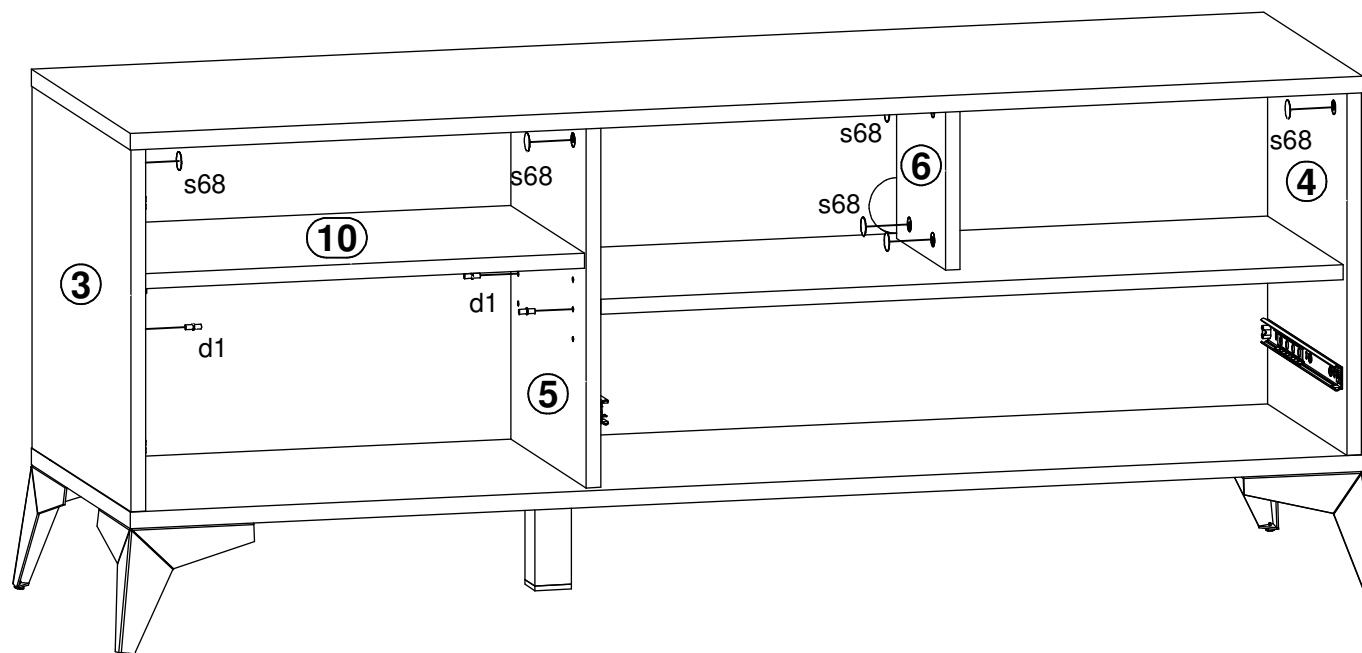
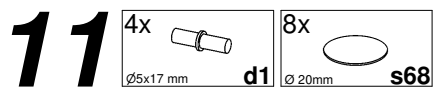


9 4x  k158\2 16x  p131
Ø4x16 mm

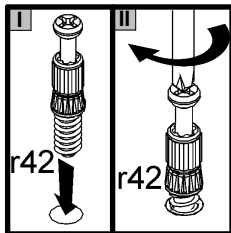
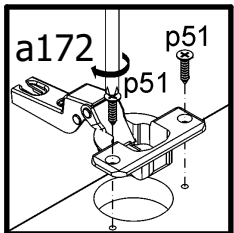
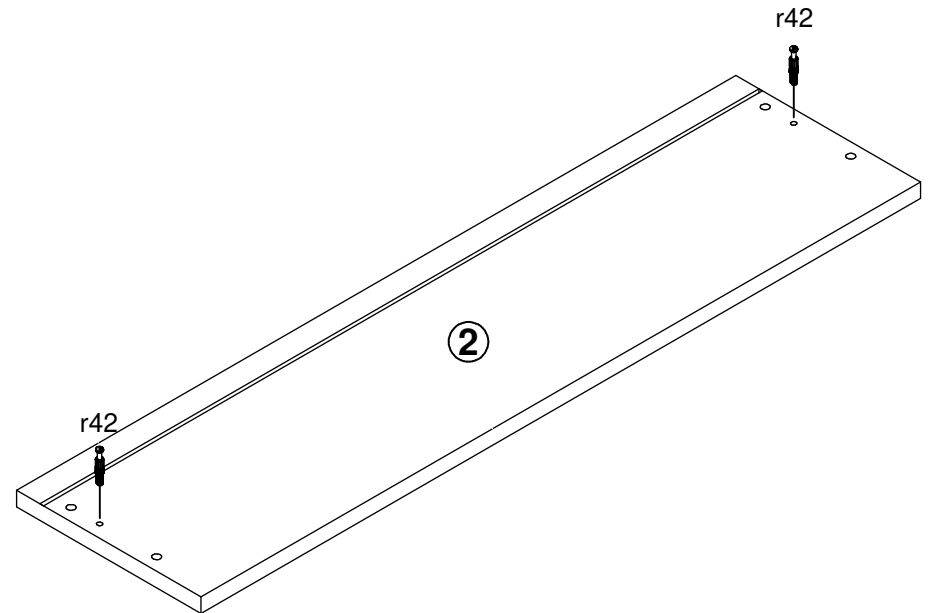
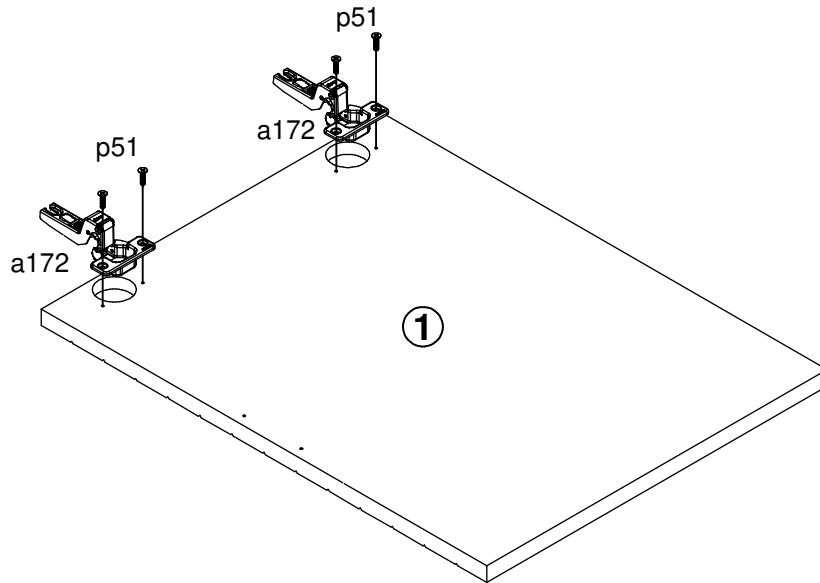
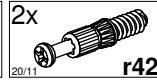
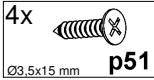


10 1x
30x15x161/2 **n211**

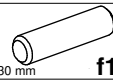
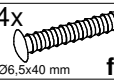
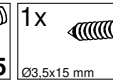
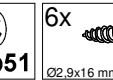
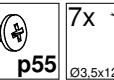


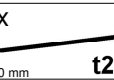




12



13

- 4x  f1
Ø8x30 mm
- 4x  f25
Ø6,5x40 mm
- 1x  p51
Ø3,5x15 mm
- 6x  p55
Ø2,9x16 mm
- 7x  p140
Ø3,5x12 mm
- 2x  r15
Ø12x10,5 mm #12
- 1x  t25
300 mm
- 2x  w166\1
300/495 mm

