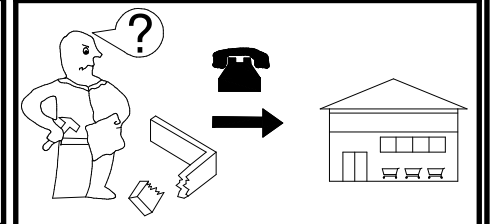
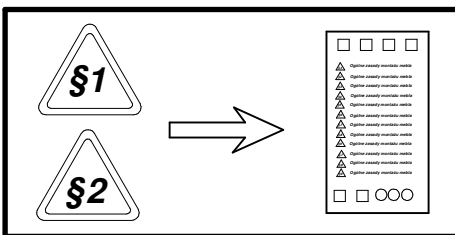
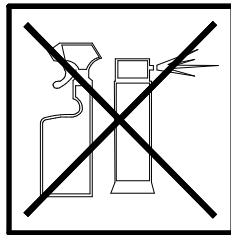
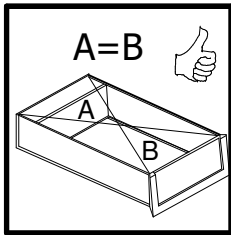
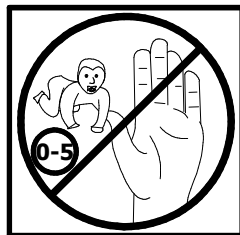
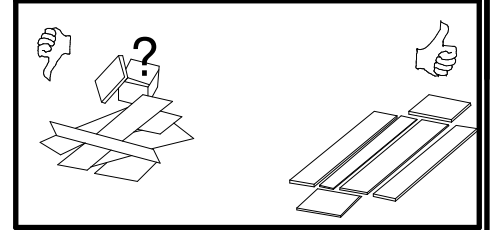
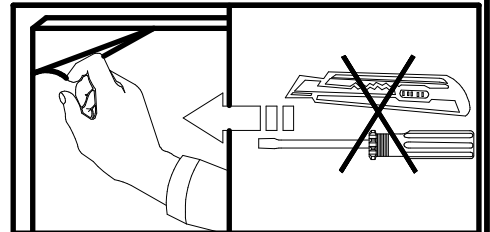
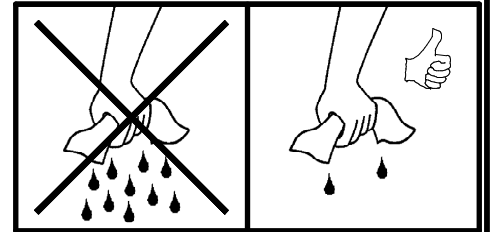
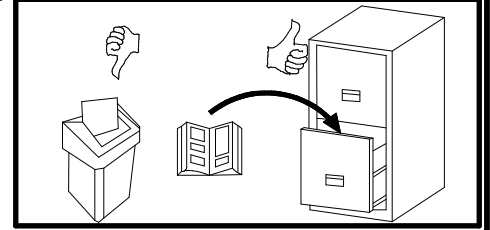
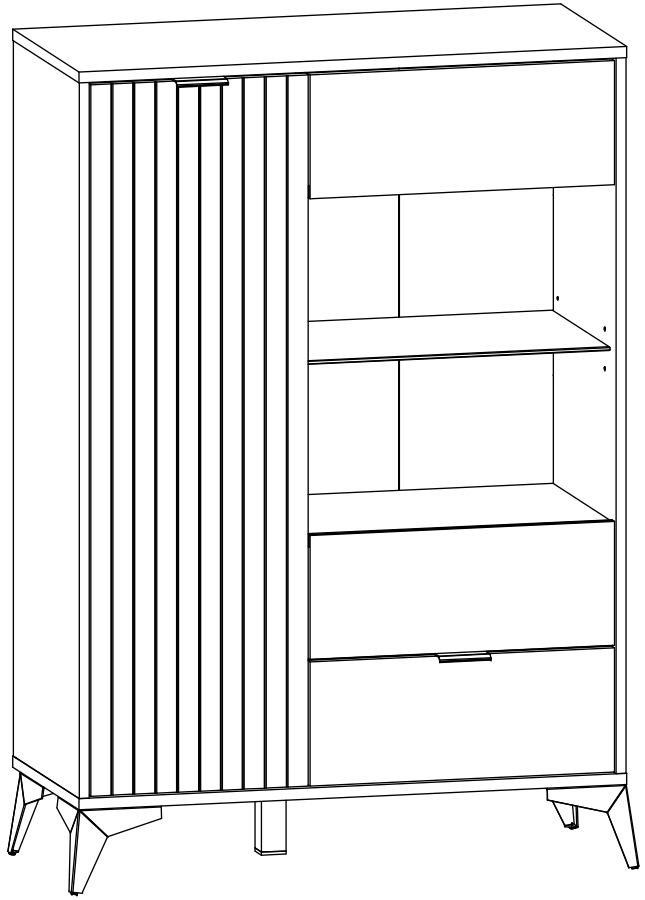
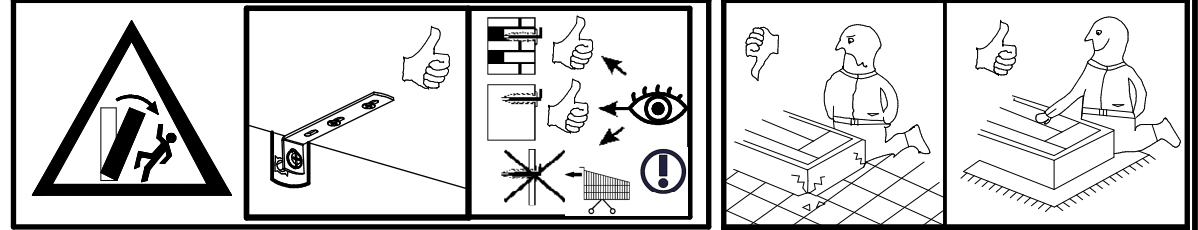
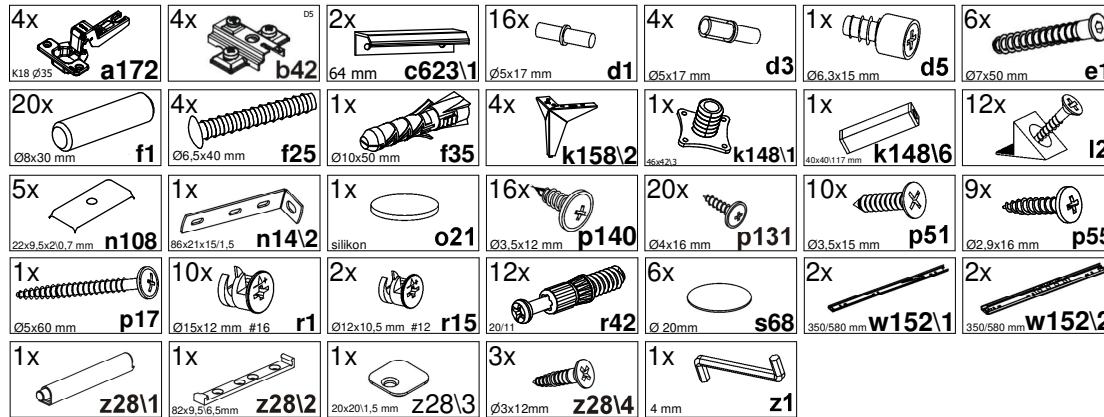
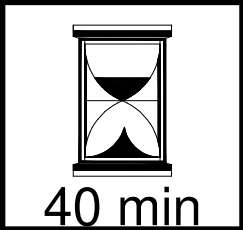
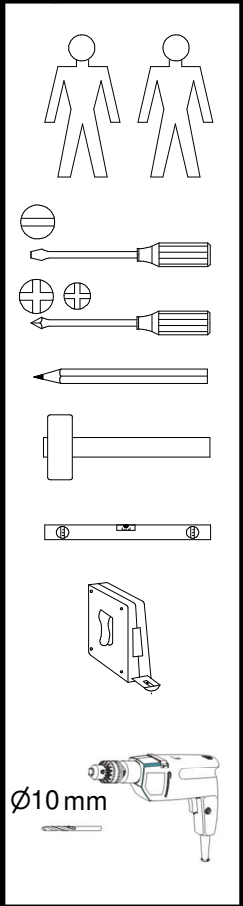


A

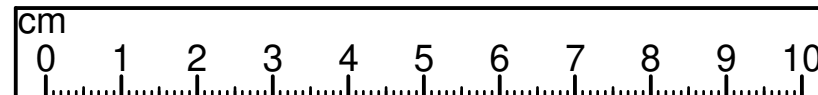
S632-REG1D1W1S

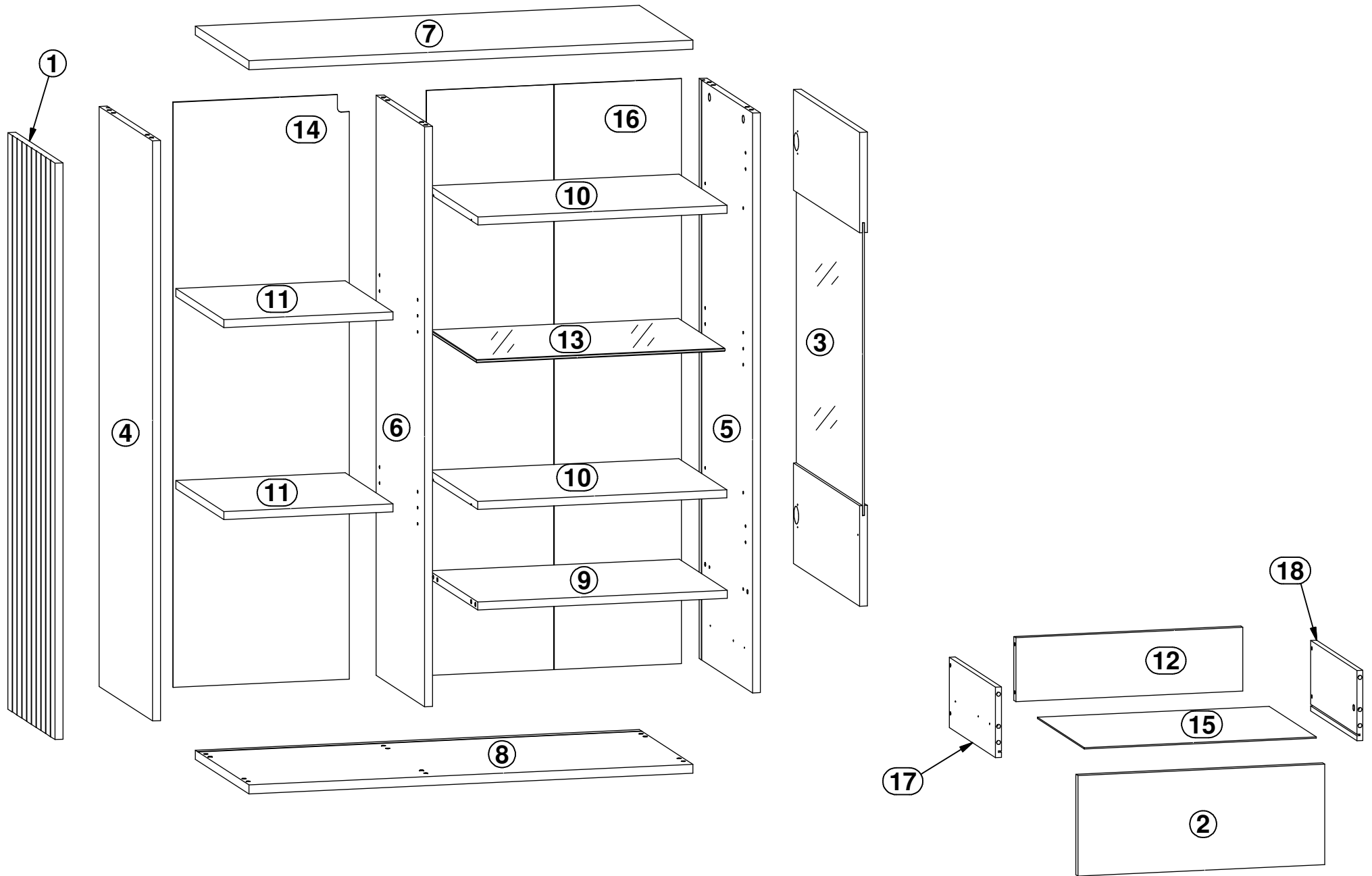
LAMEA

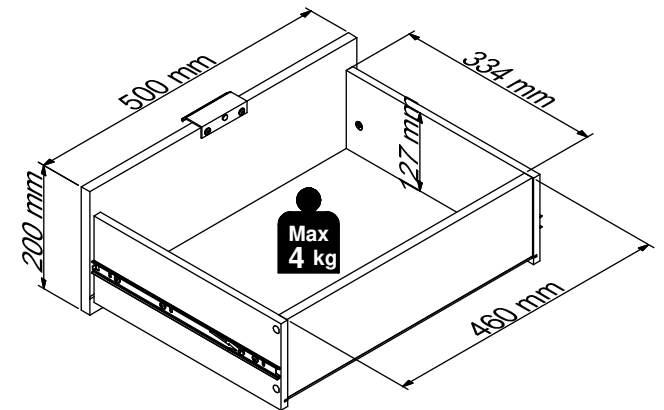
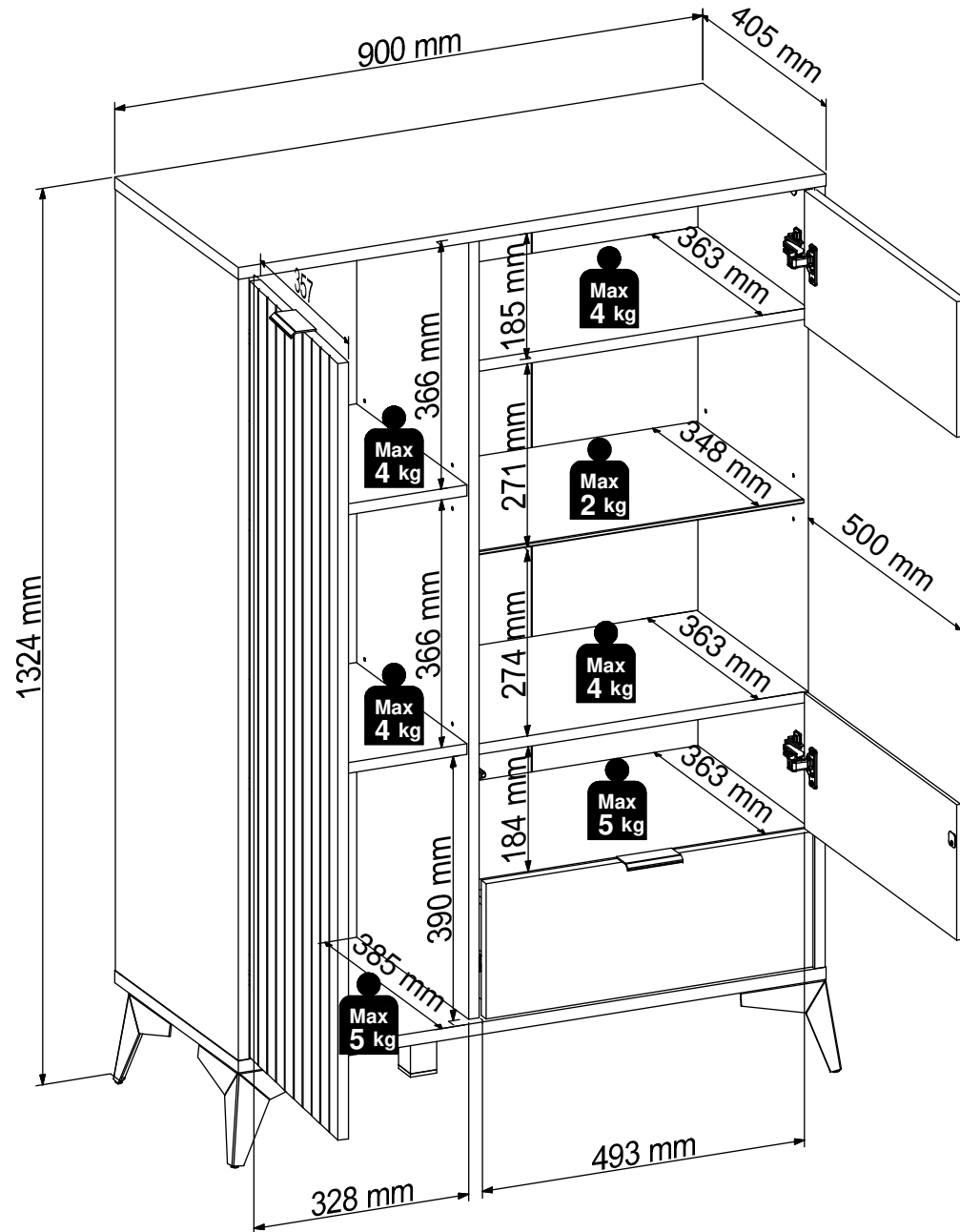




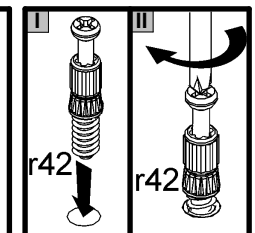
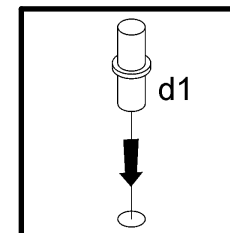
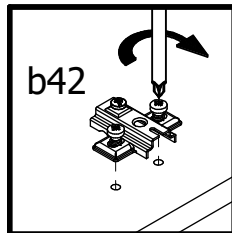
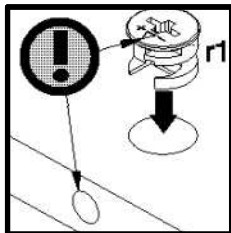
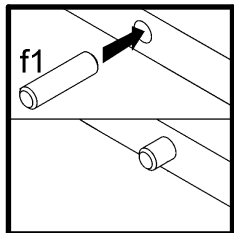
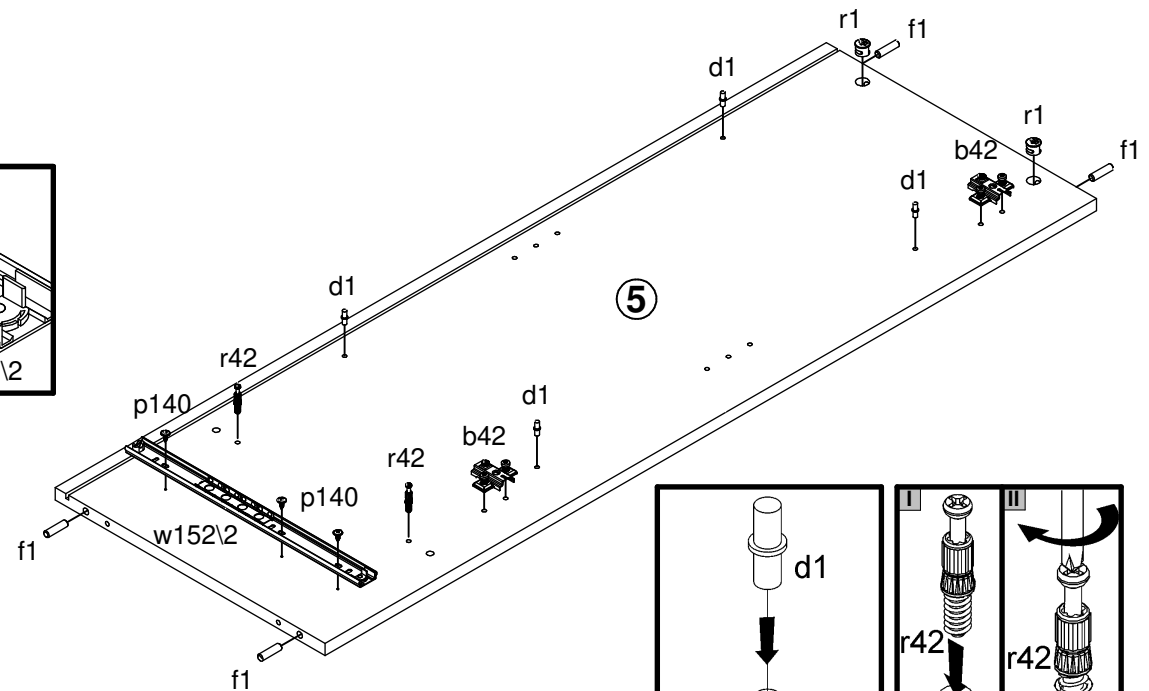
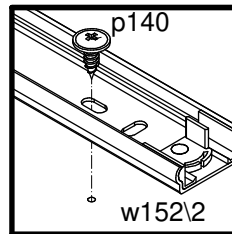
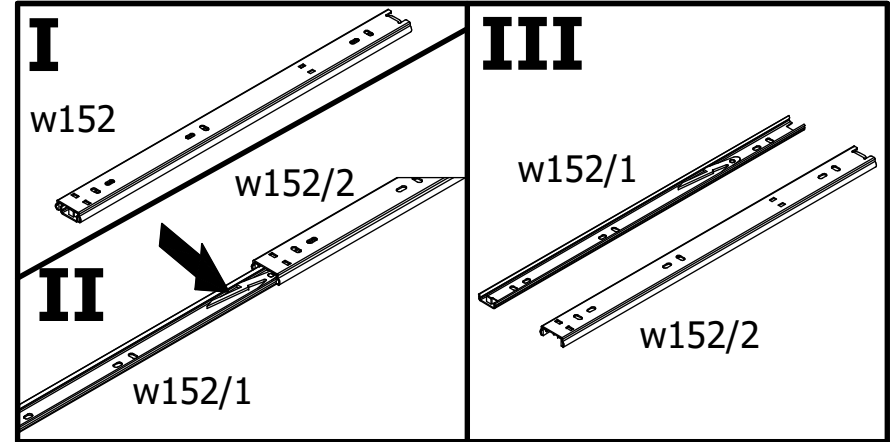
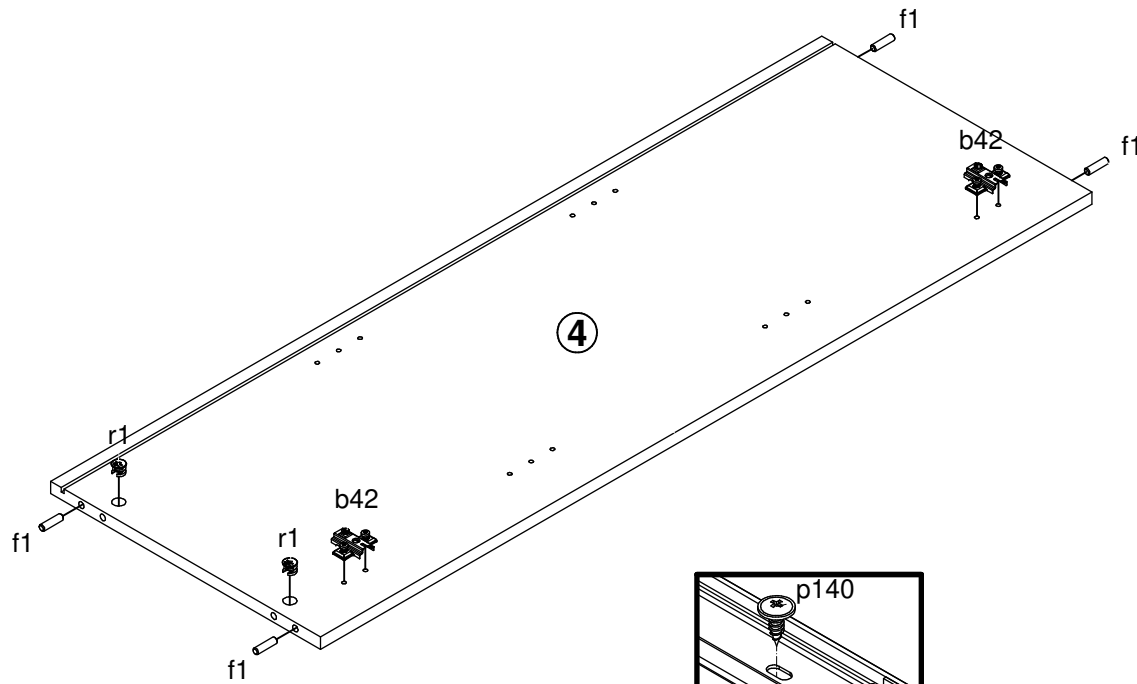
A	B1	B2	C1	C2	C3	D
1	S632-0011	-.1	1147	357	16	1/3
2	S632-0012	-.1	500	200	16	1/3
3	S632-0013	-.2	500	943	16	1/3
4	S632-1013	-.1	1154	404	16	1/3
5	S632-1014	-.1	1154	404	16	1/3
6	S632-1015	-.1	1154	367	16	1/3
7	S632-2012	-.2	900	405	18	2/3
8	S632-2013	-.1	900	405	18	2/3
9	S632-3008	-.1	506	363	16	2/3
10	S632-3009	-.1	505	363	16	2/3
11	S632-3010	-.1	343	363	16	2/3
12	S632-5006	-.1	460	127	15	1/3
13	S632-5502	-.2	504	350	6	2/3
14	S632-9007	-.2	1164	357	2,5	1/3
15	S632-9008	-.1	470	357	2,5	2/3
16	S632-9305	-.2	1164	517	2,5	1/3
17	WSK3-5005	-.5	350	140	12	2/3
18	WSK3-5006	-.5	350	140	12	2/3

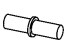
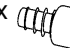
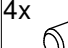
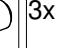
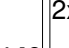




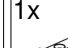


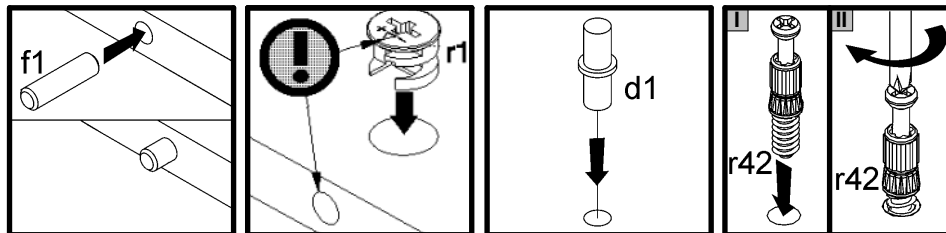
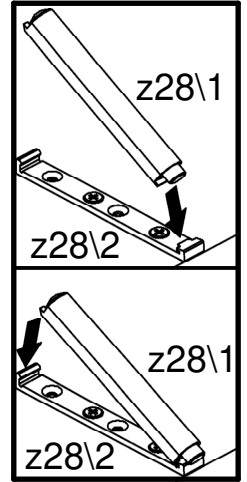
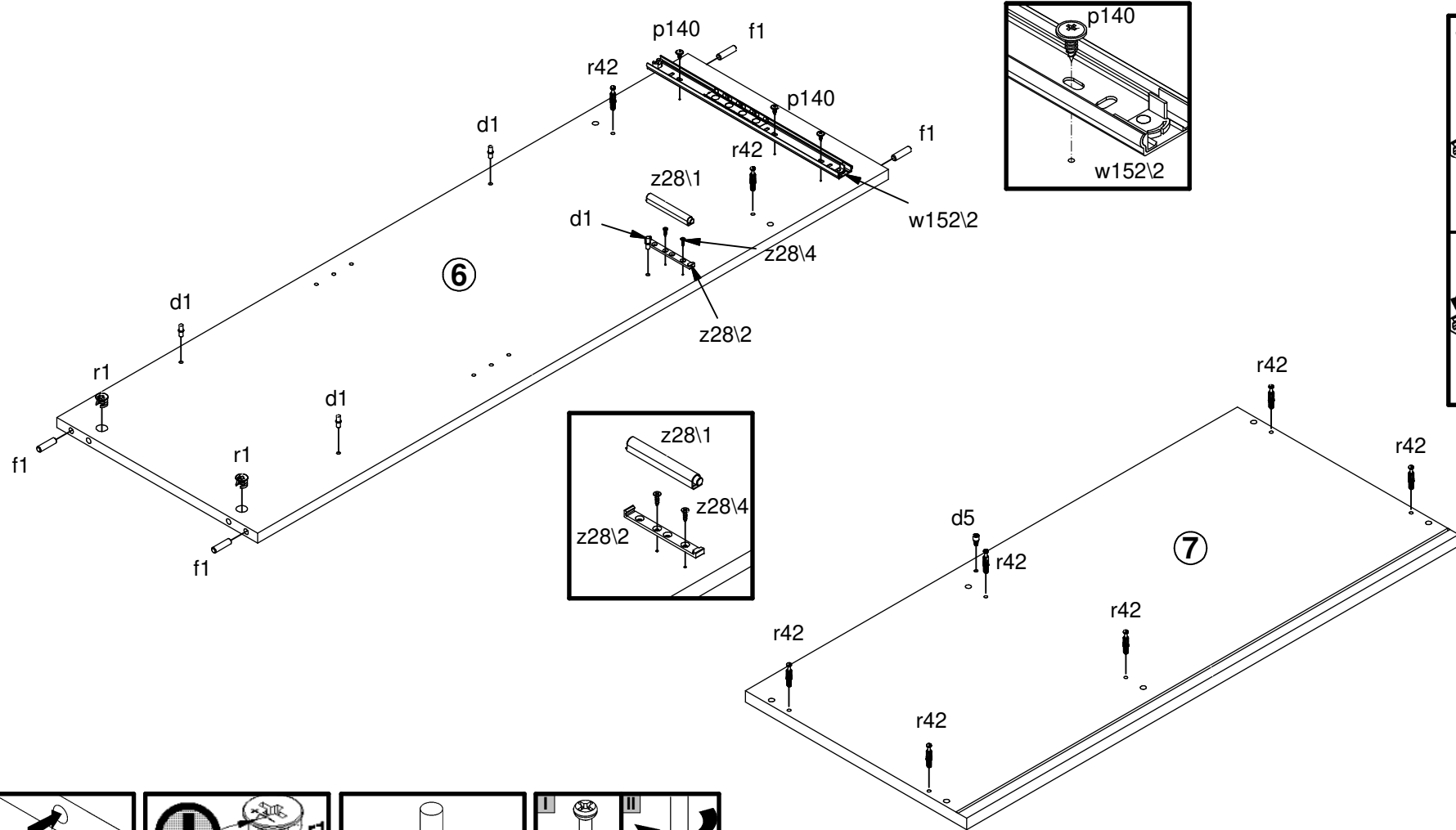


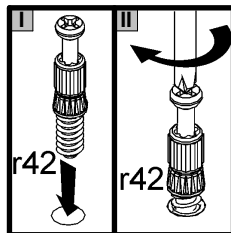
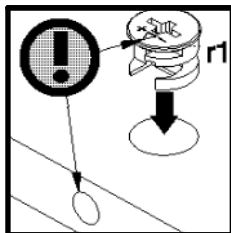
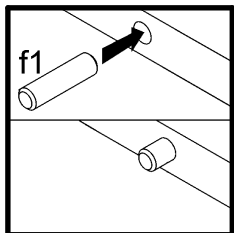
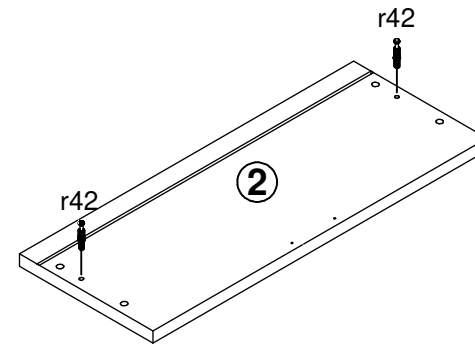
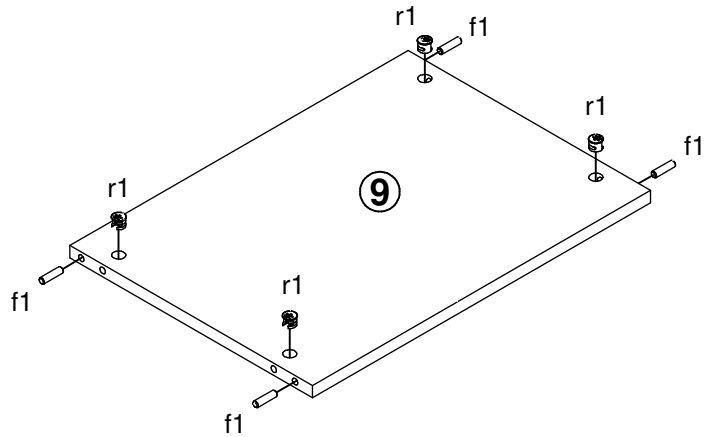
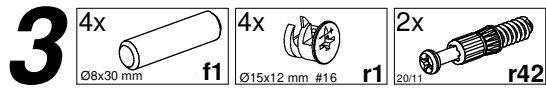


- 1 4x ^{DS} b42
- 4x $\varnothing 5 \times 17$ mm d1
- 8x $\varnothing 8 \times 30$ mm f1
- 3x $\varnothing 3,5 \times 12$ mm p140
- 4x $\varnothing 15 \times 12$ mm #16 r1
- 2x $\varnothing 20 \times 11$ r42
- 1x $350/580$ mm w152\2

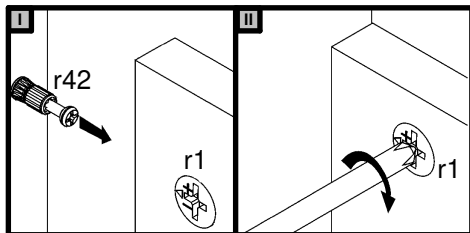
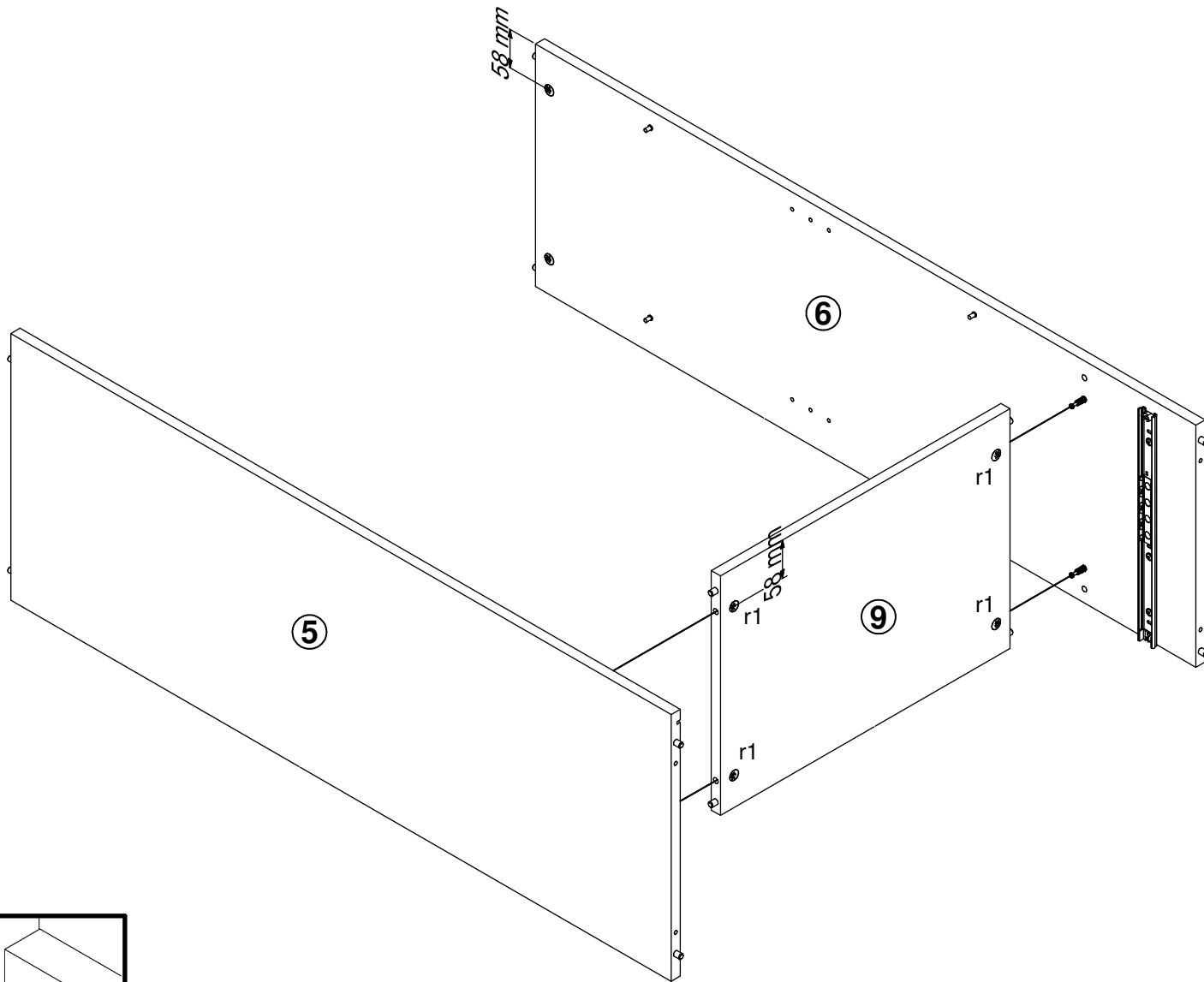


- 2** 4x  **d1**
∅5x17 mm
- 1x  **d5**
∅6,3x15 mm
- 4x  **f1**
∅8x30 mm
- 3x  **p140**
∅3,5x12 mm
- 2x  **r1**
∅15x12 mm #16
- 8x  **r42**
20/11
- 1x  **w152\2**
350/580 mm
- 1x  **z28\1**
- 1x  **z28\2**
82x9,5\6,5mm
- 2x  **z28\4**
∅3x12mm

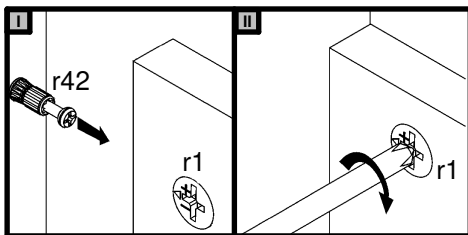
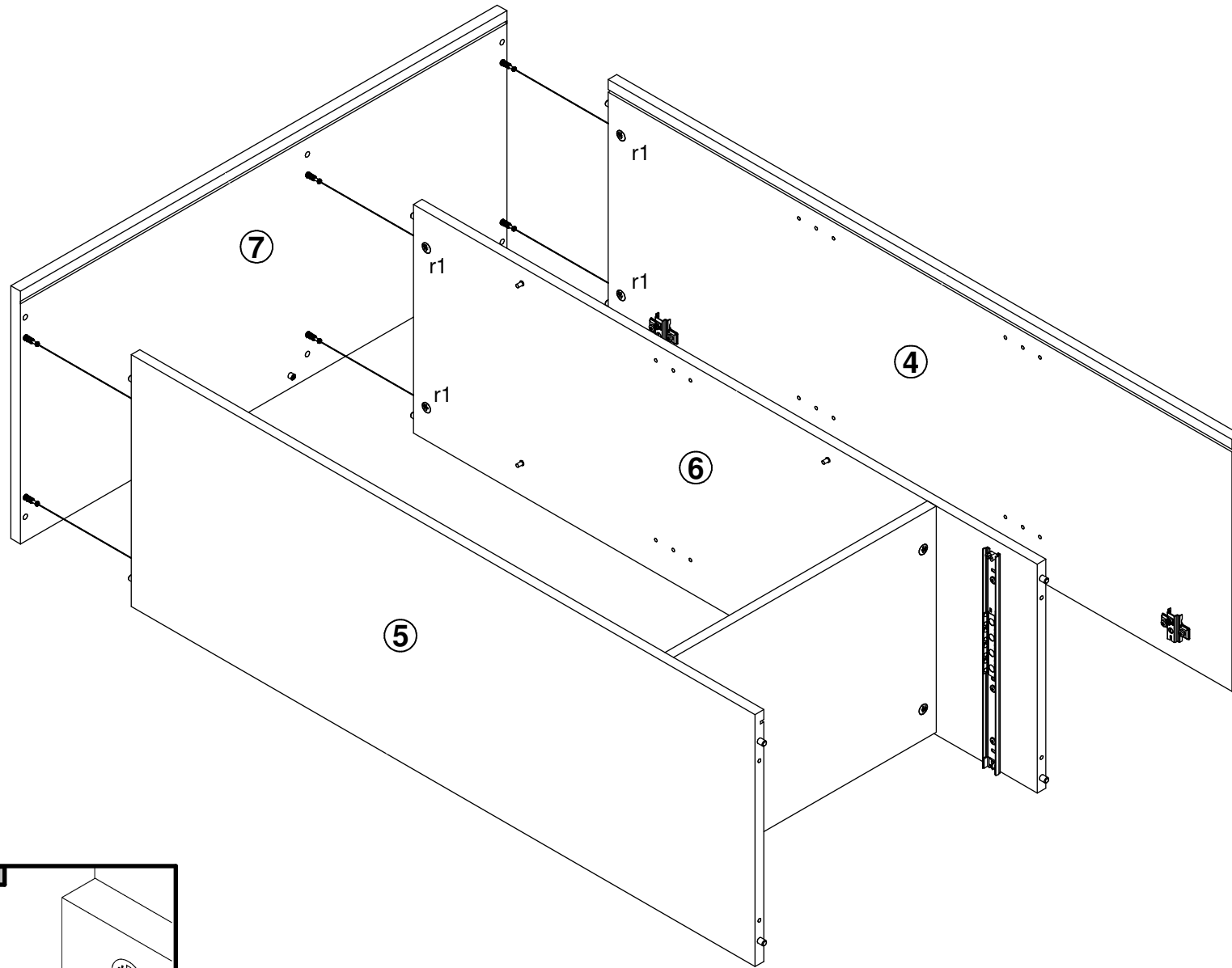


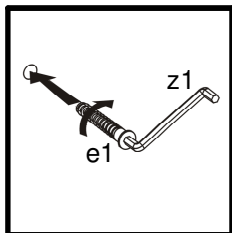
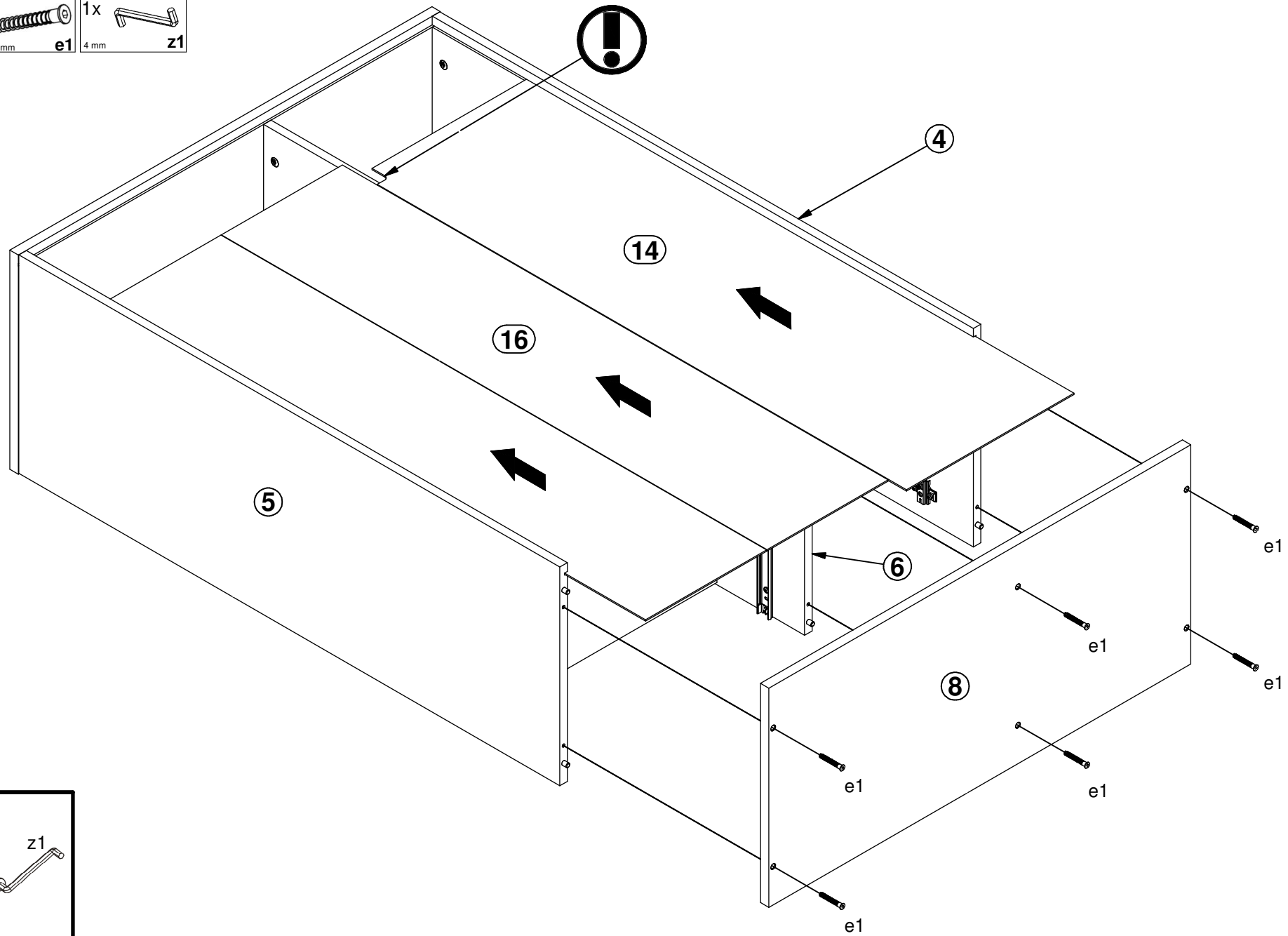
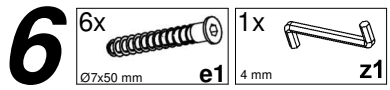


4

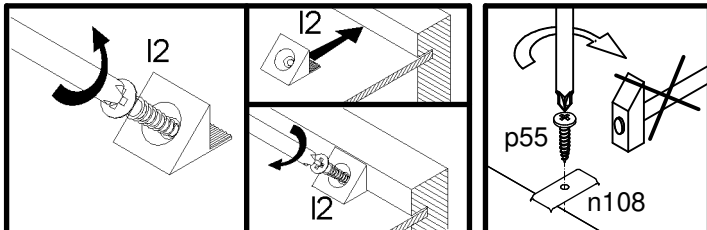
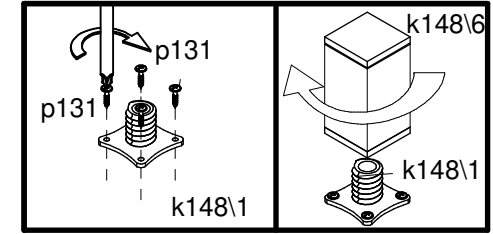
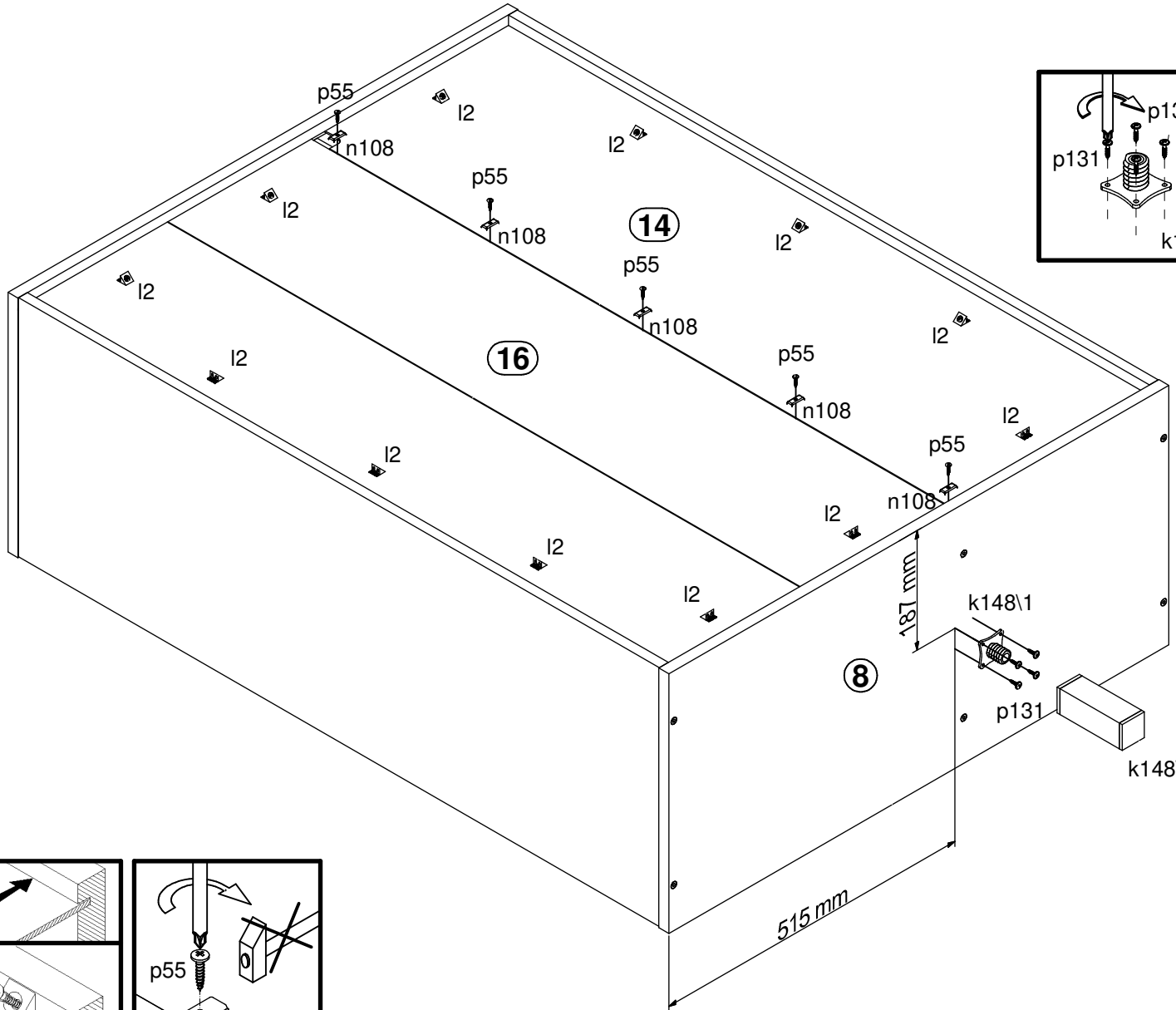
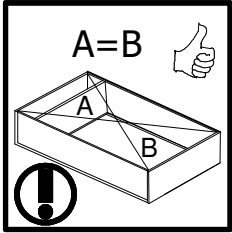


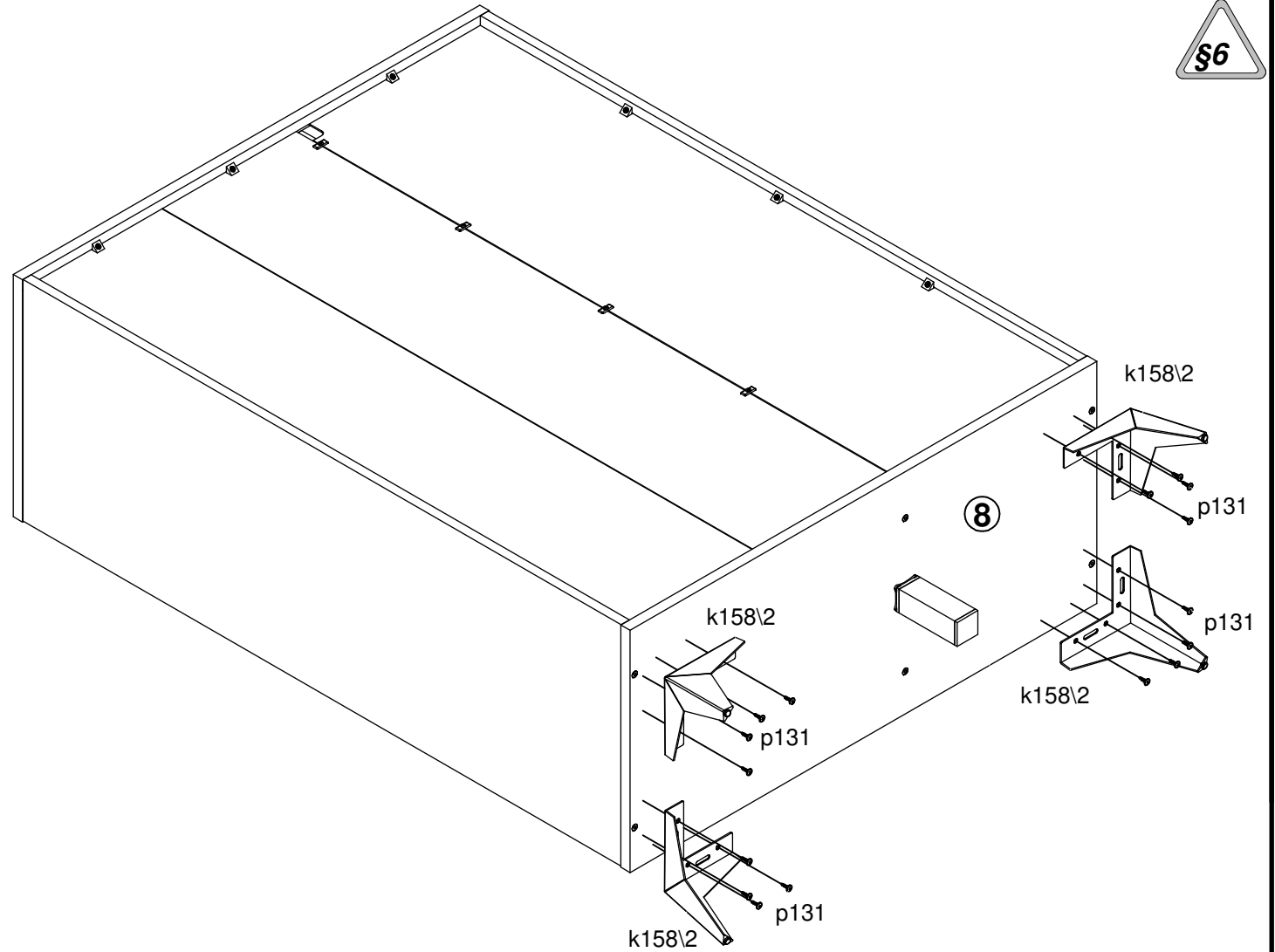
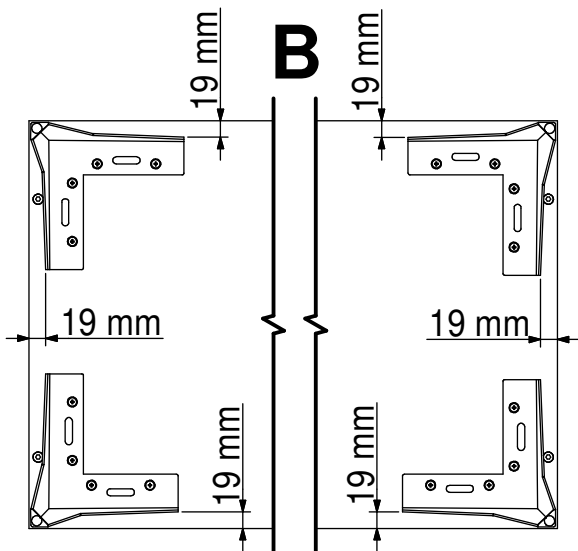
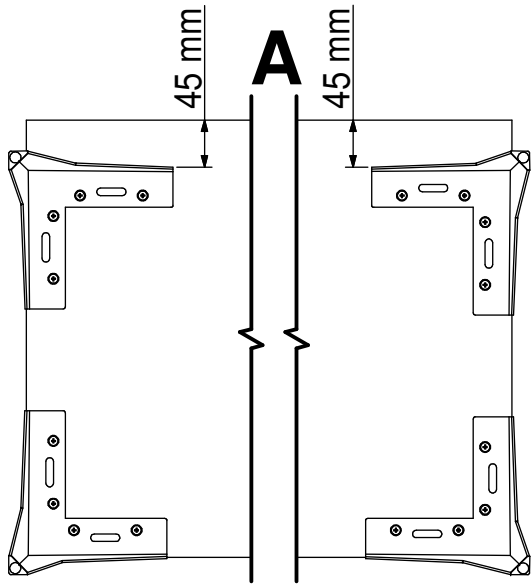
5



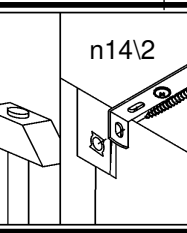
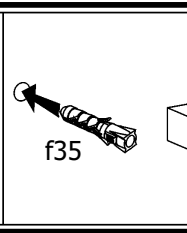
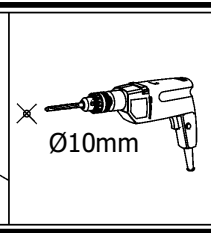
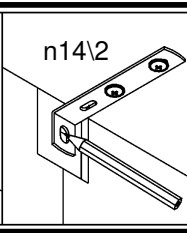
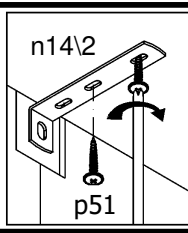
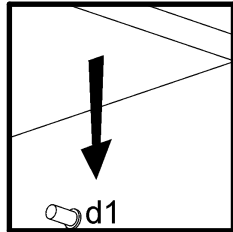
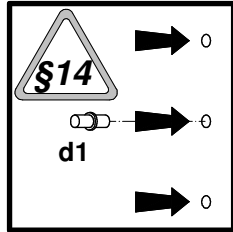
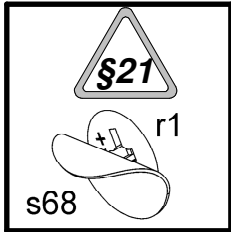
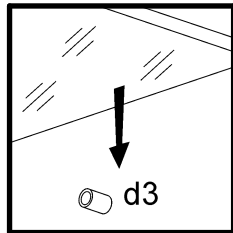
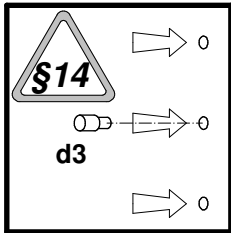
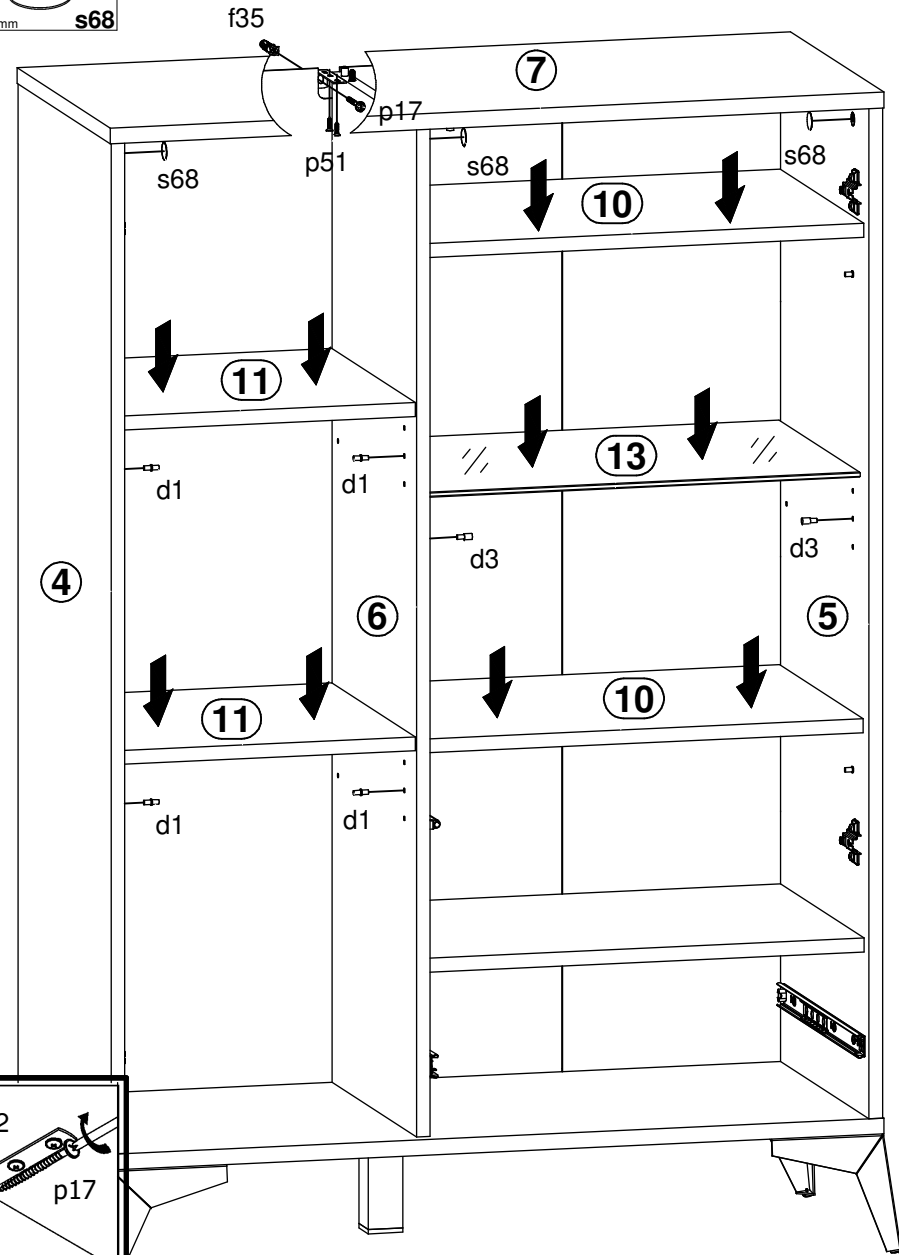


- 7 ^{1x} k148\1
- 1 ^{1x} k148\6
- 12 ^{12x} l2
- 5 ^{5x} n108
- 4 ^{4x} p131
- 5 ^{5x} p55

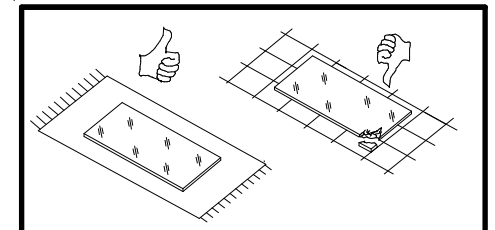
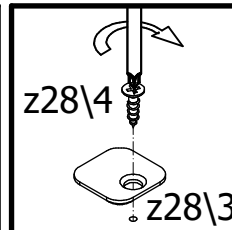
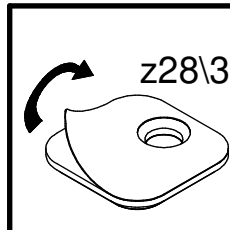
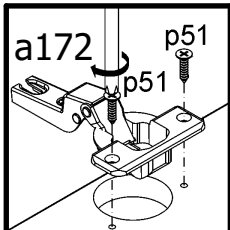
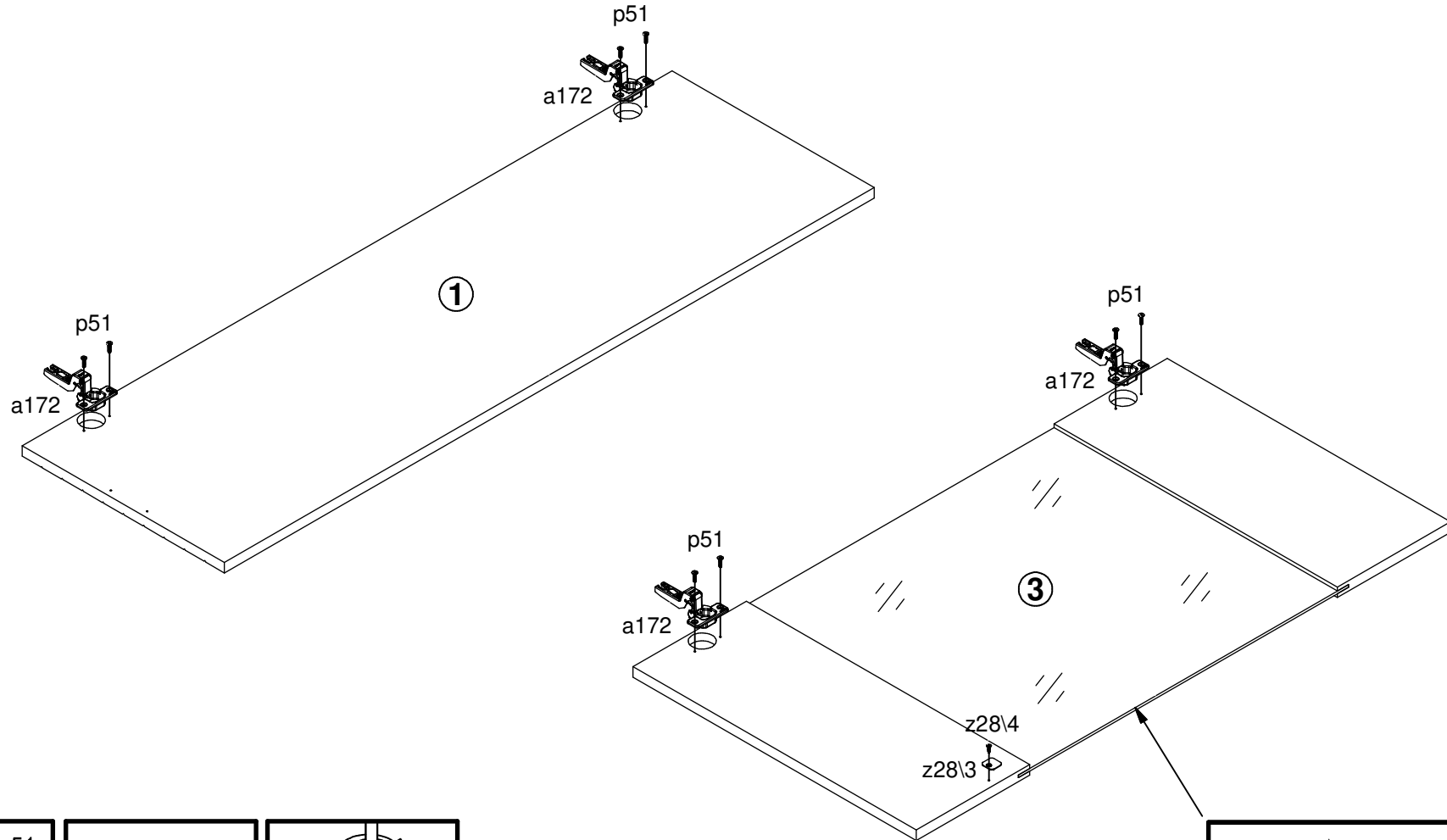
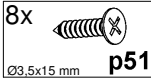








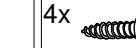
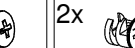
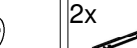
- 9 8x Ø5x17 mm d1
- 4x Ø5x17 mm d3
- 1x Ø10x50 mm f35
- 1x 86x21x15/1.5 n14\2
- 1x Ø5x60 mm p17
- 4x Ø3,5x15 mm p51
- 6x Ø20mm s68

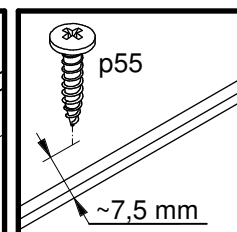
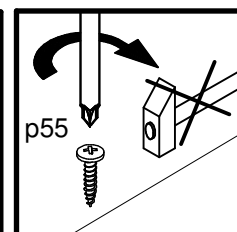
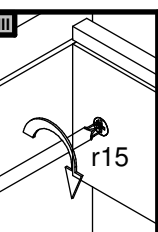
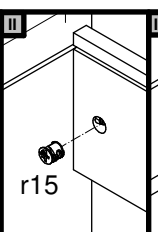
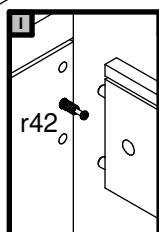
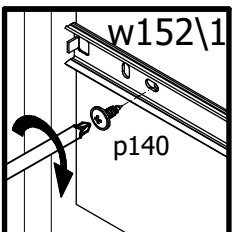
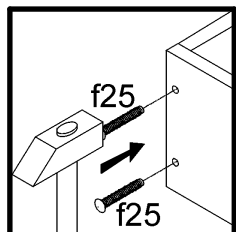
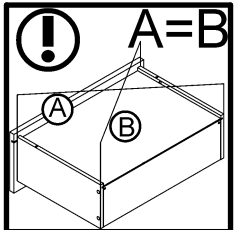
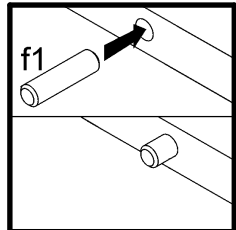
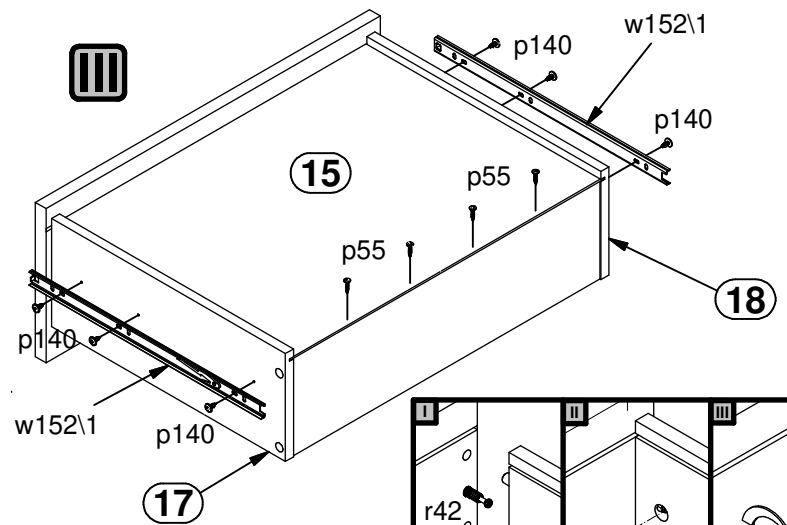
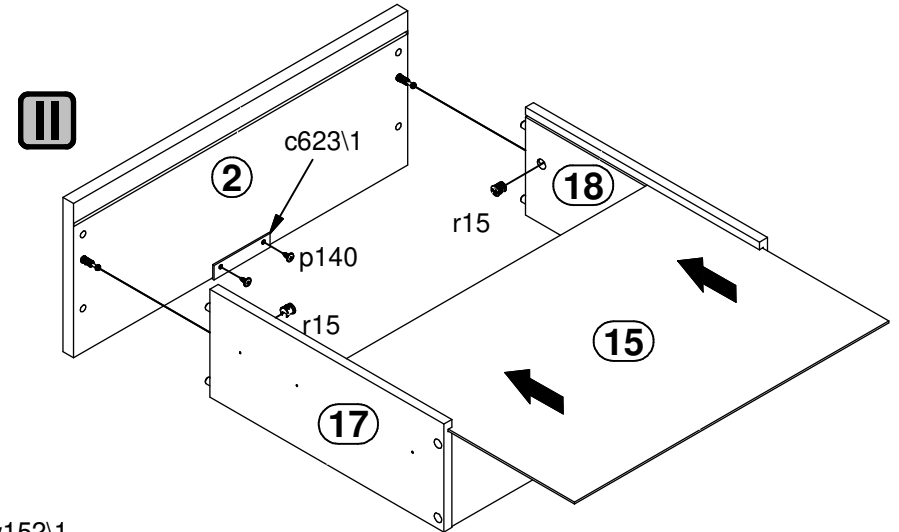
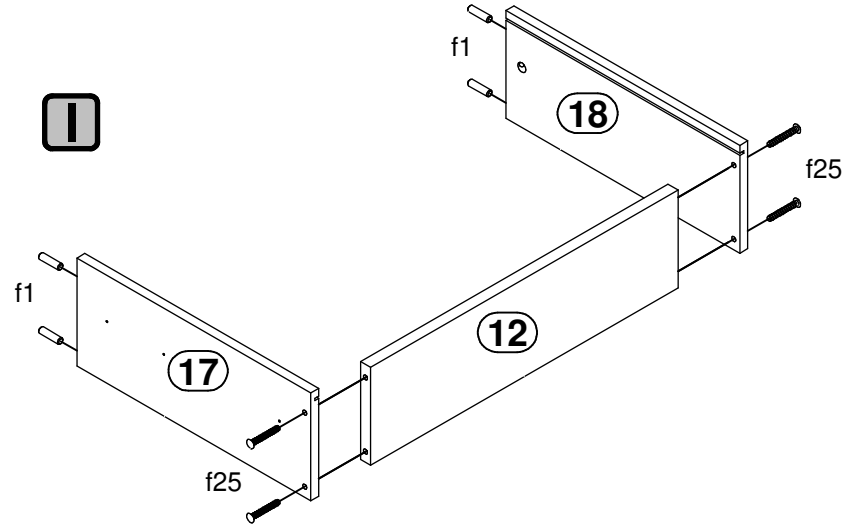


10



11

- 1x  64 mm **c623\1**
- 4x  Ø8x30 mm **f1**
- 4x  Ø6,5x40 mm **f25**
- 8x  Ø3,5x12 mm **p140**
- 4x  Ø2,9x16 mm **p55**
- 2x  Ø12x10,5 mm #12 **r15**
- 2x  350/580 mm **w152\1**



12

