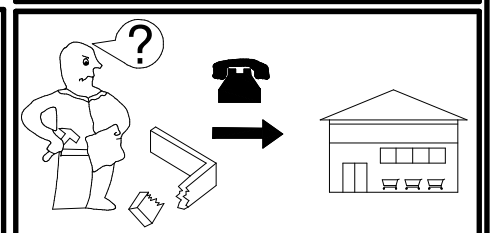
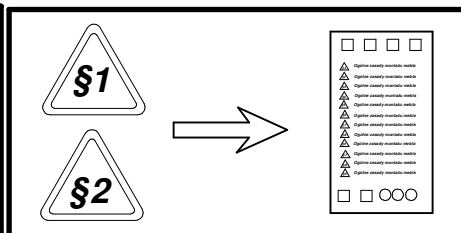
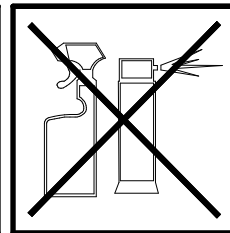
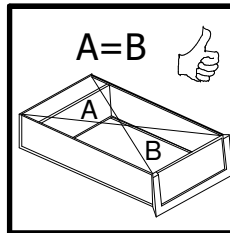
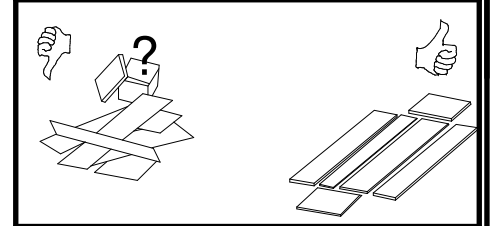
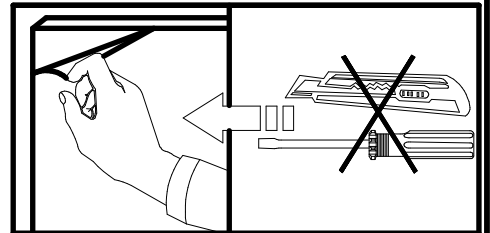
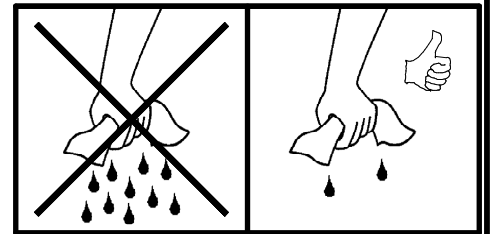
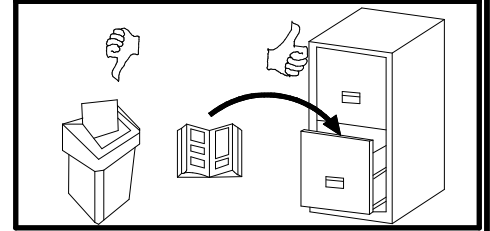
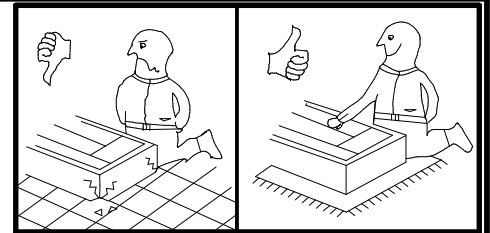
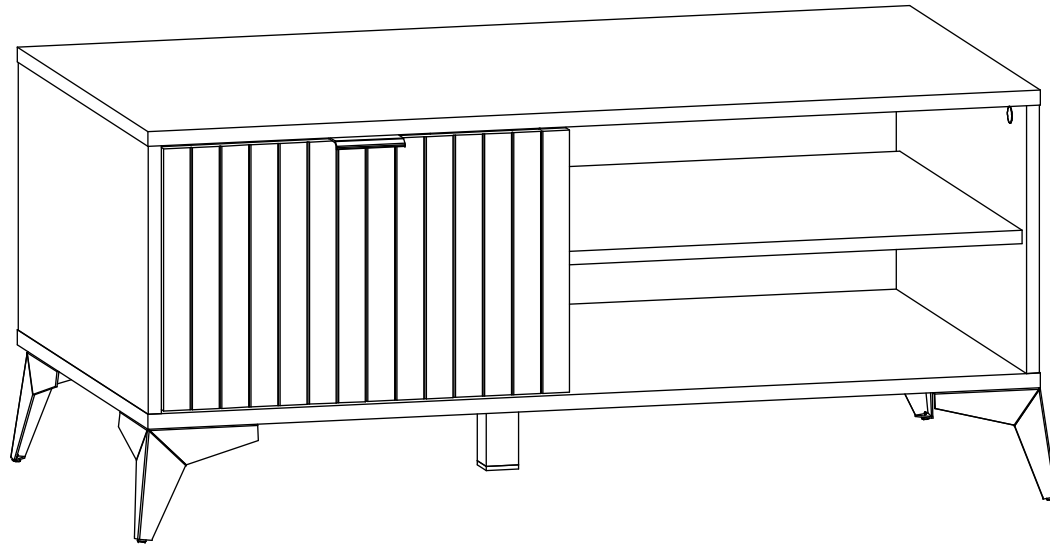
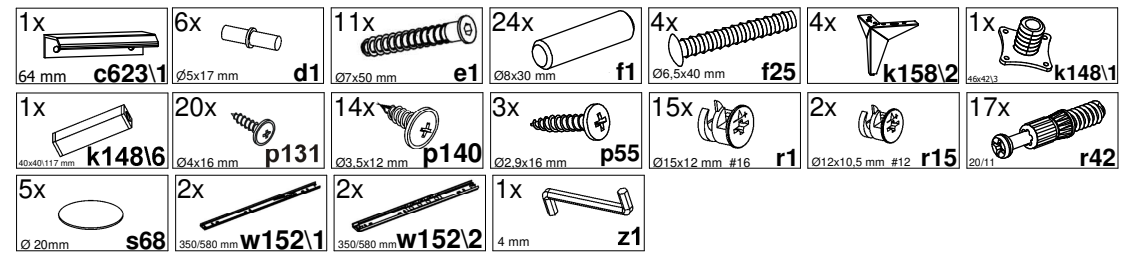
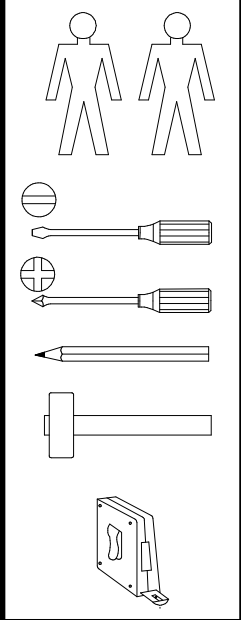


A

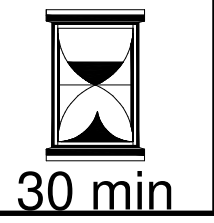
S632-LAW1S

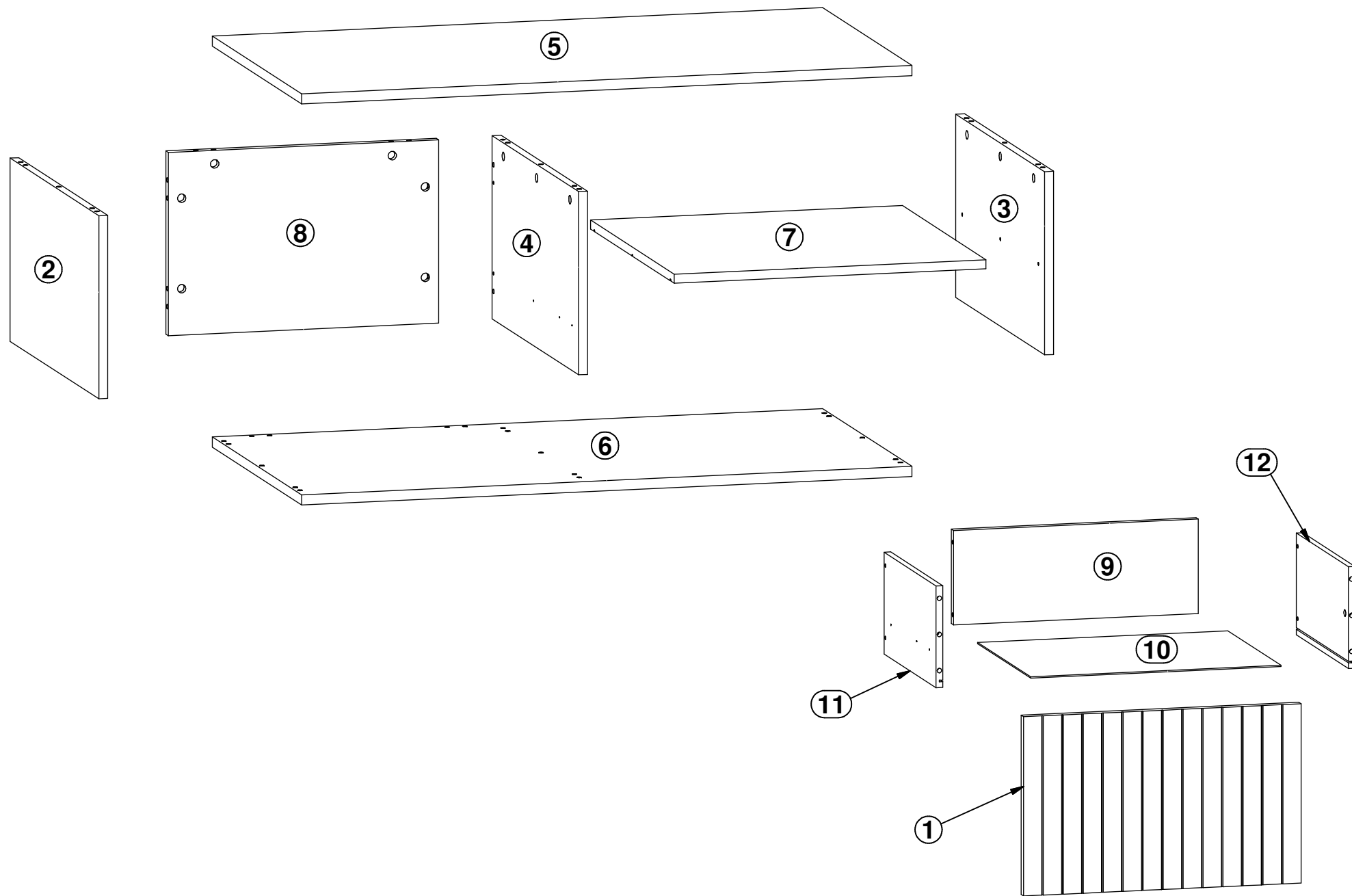
LAMEA

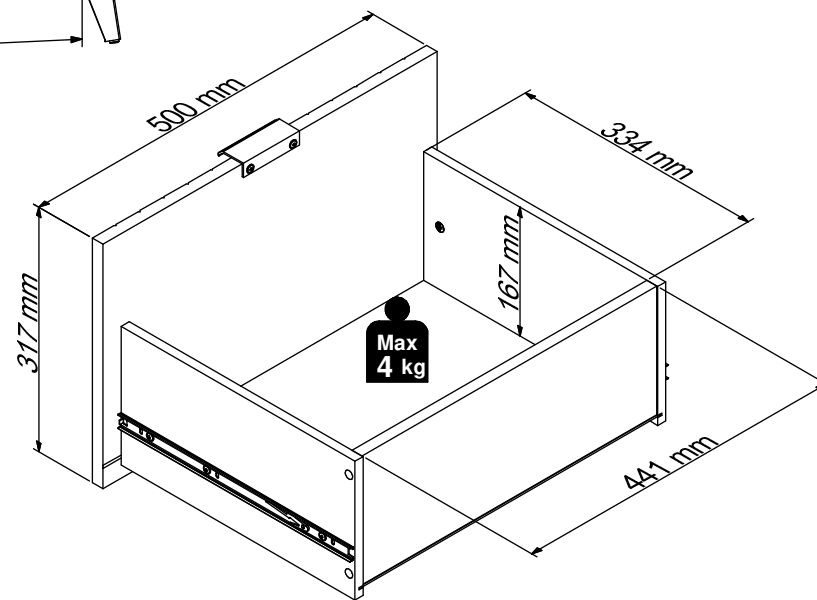
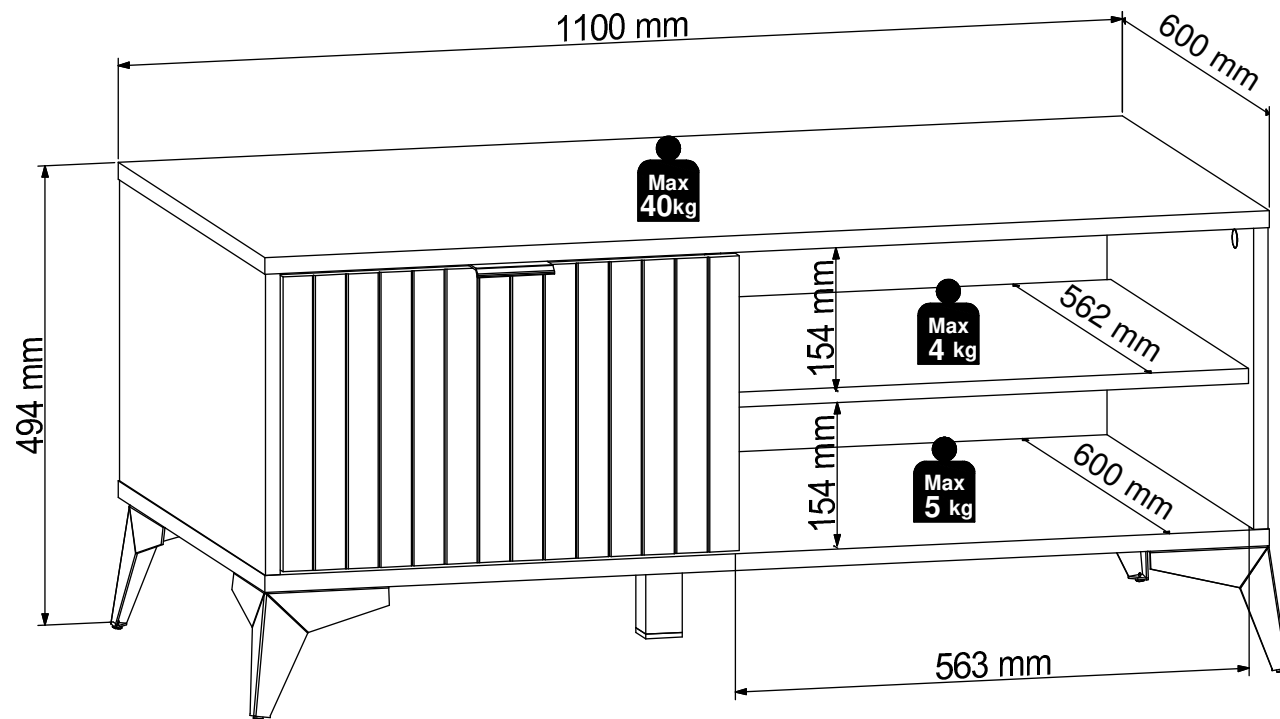




A	B1	B2	C1	C2	C3	D
1	S632-0018	-.1	317	500	16	2/3
2	S632-1020	-.1	324	598	16	2/3
3	S632-1021	-.1	324	598	16	2/3
4	S632-1022	-.1	324	581	16	2/3
5	S632-2016	-.1	1100	600	18	1/3
6	S632-2017	-.1	1100	600	18	1/3
7	S632-3017	-.1	562	562	16	1/3
8	S632-4003	-.1	487	324	16	2/3
9	S632-5008	-.1	441	167	15	1/3
10	S632-9012	-.1	451	357	2,5	1/3
11	WSK4-5005	A.1	350	180	12	1/3
12	WSK4-5006	A.1	350	180	12	1/3

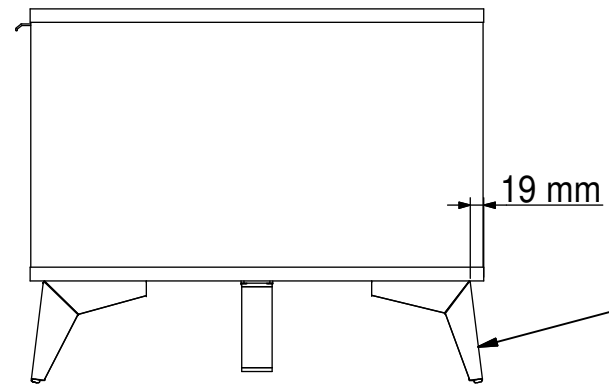
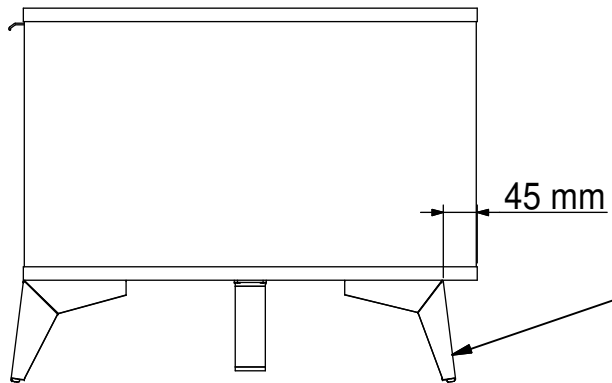
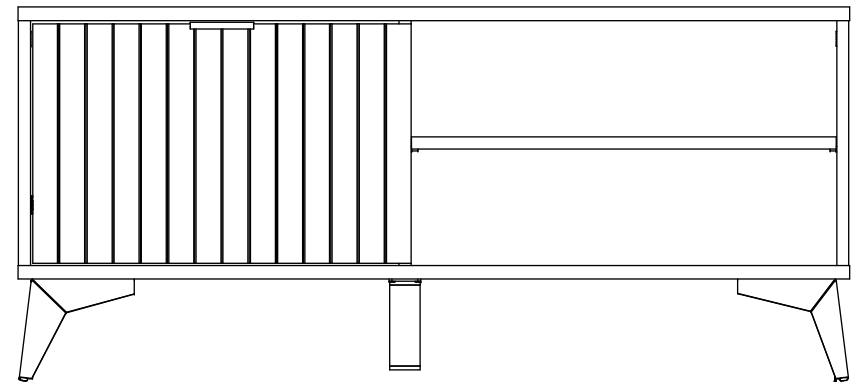
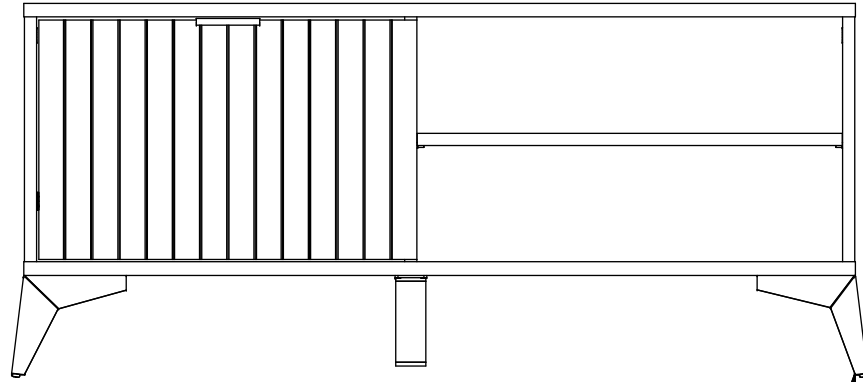










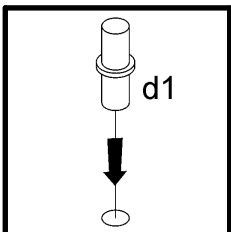
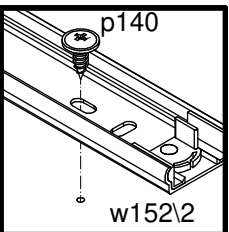
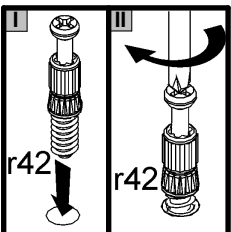
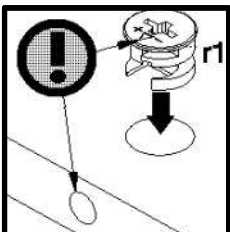
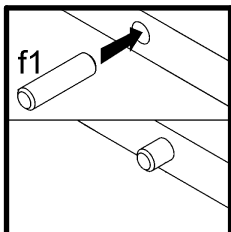
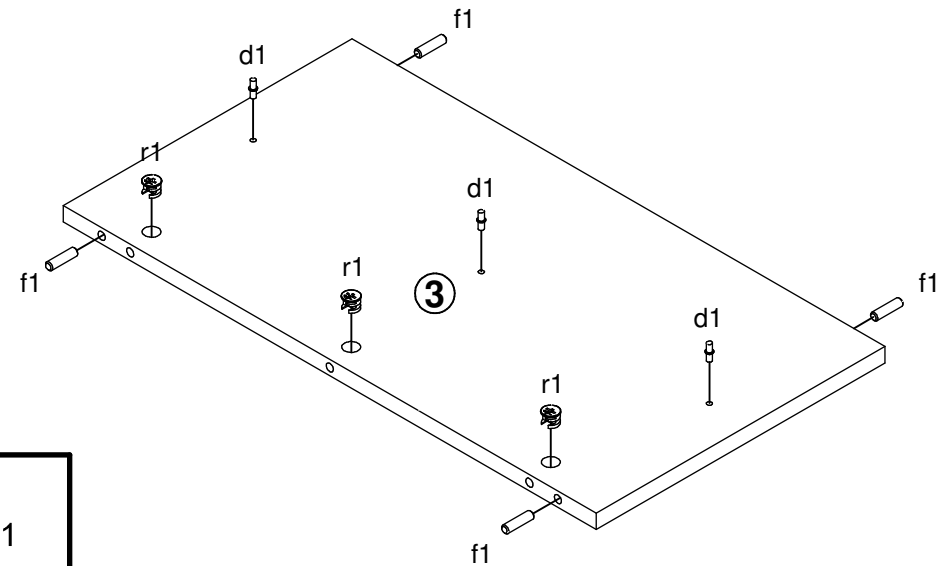
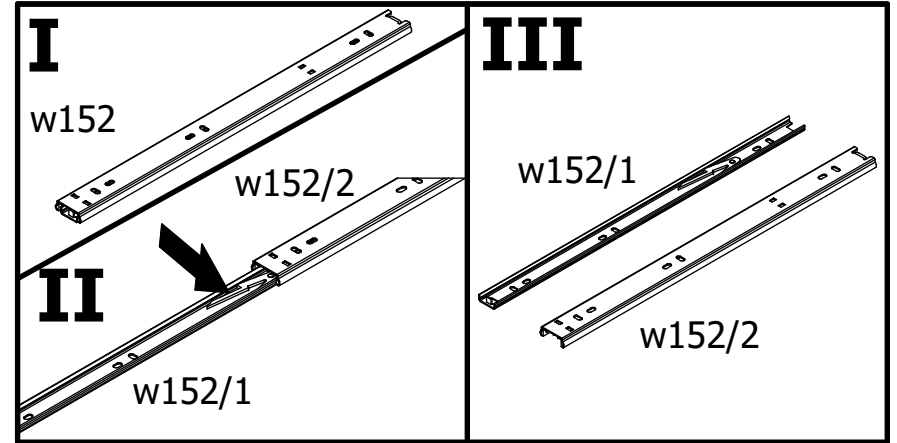
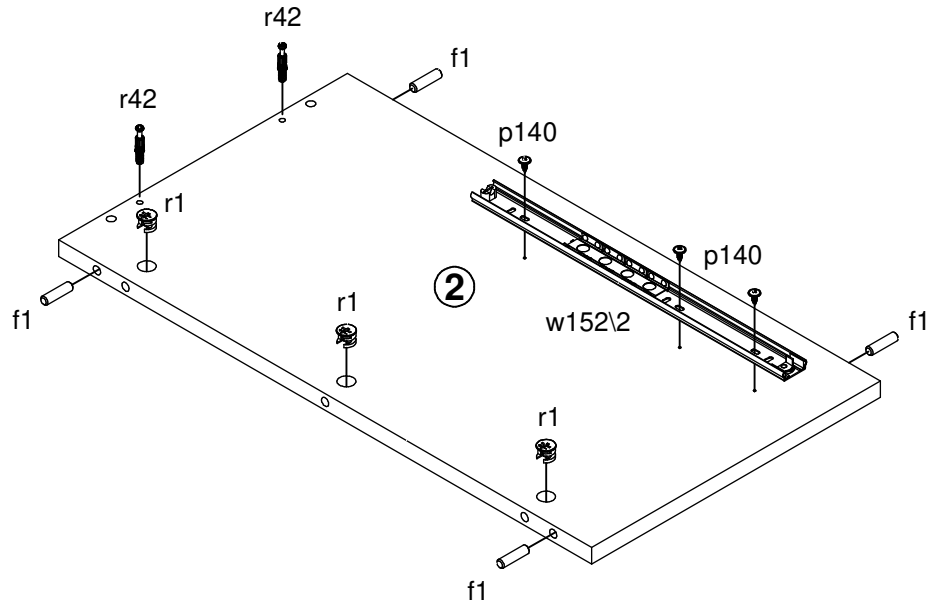


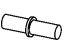





A

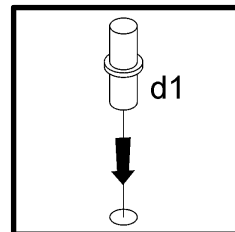
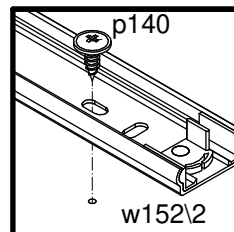
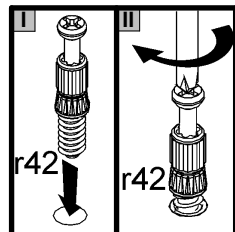
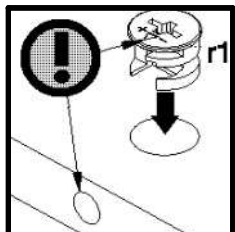
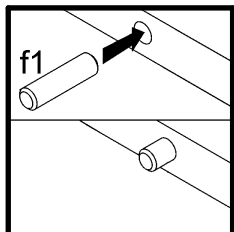
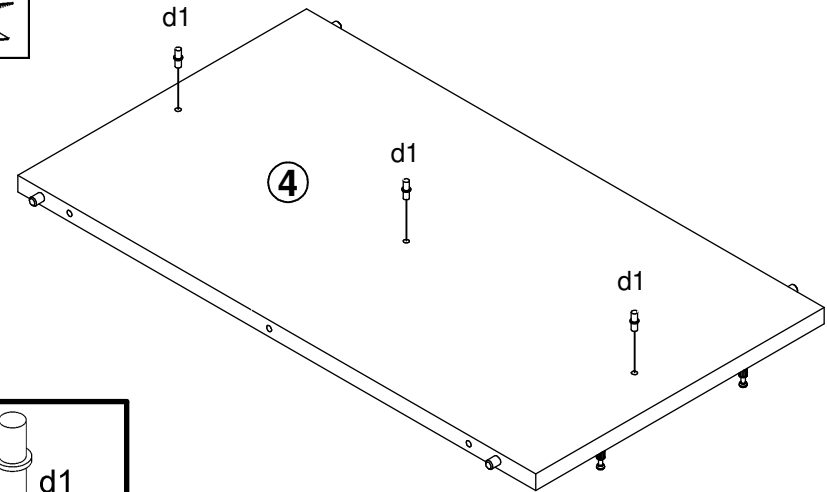
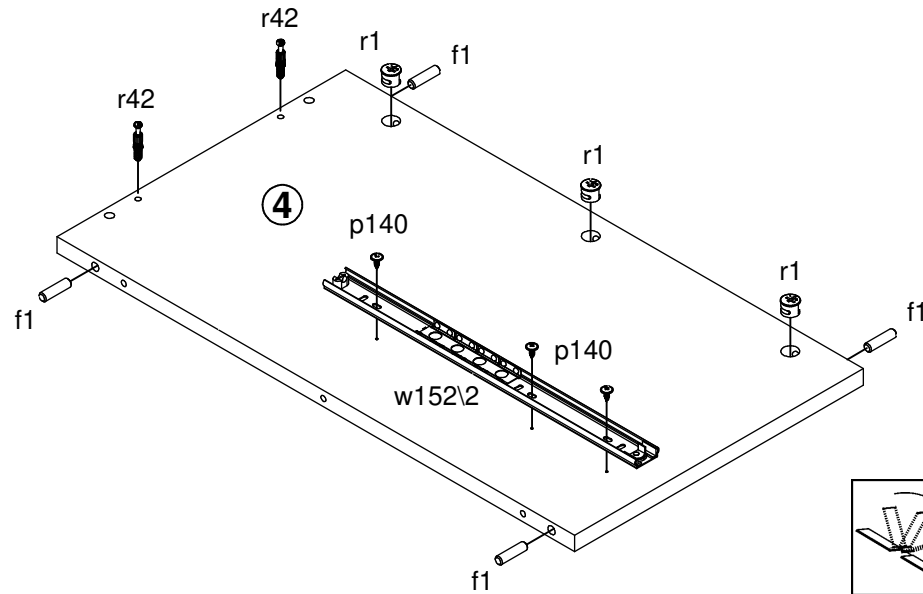
B

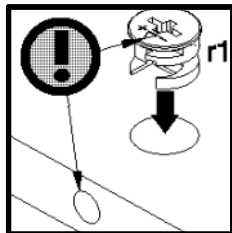
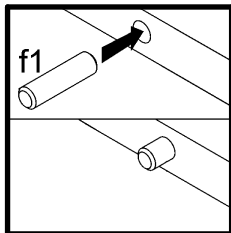
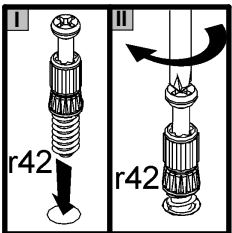
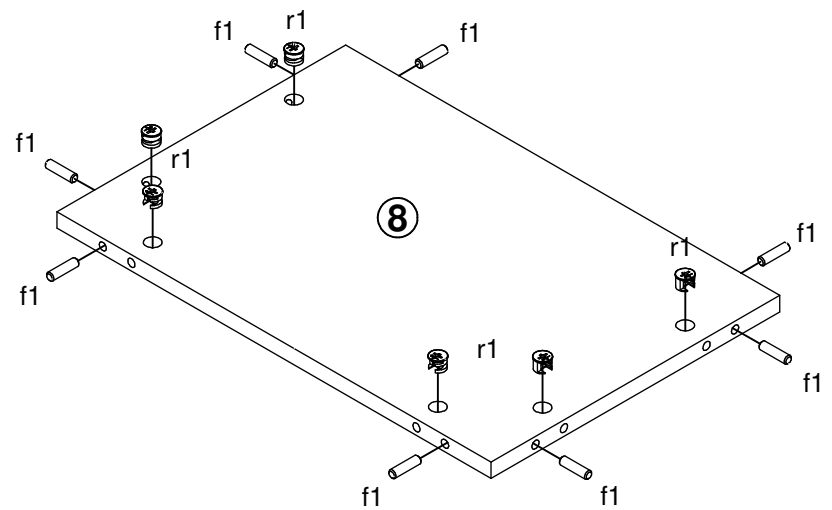
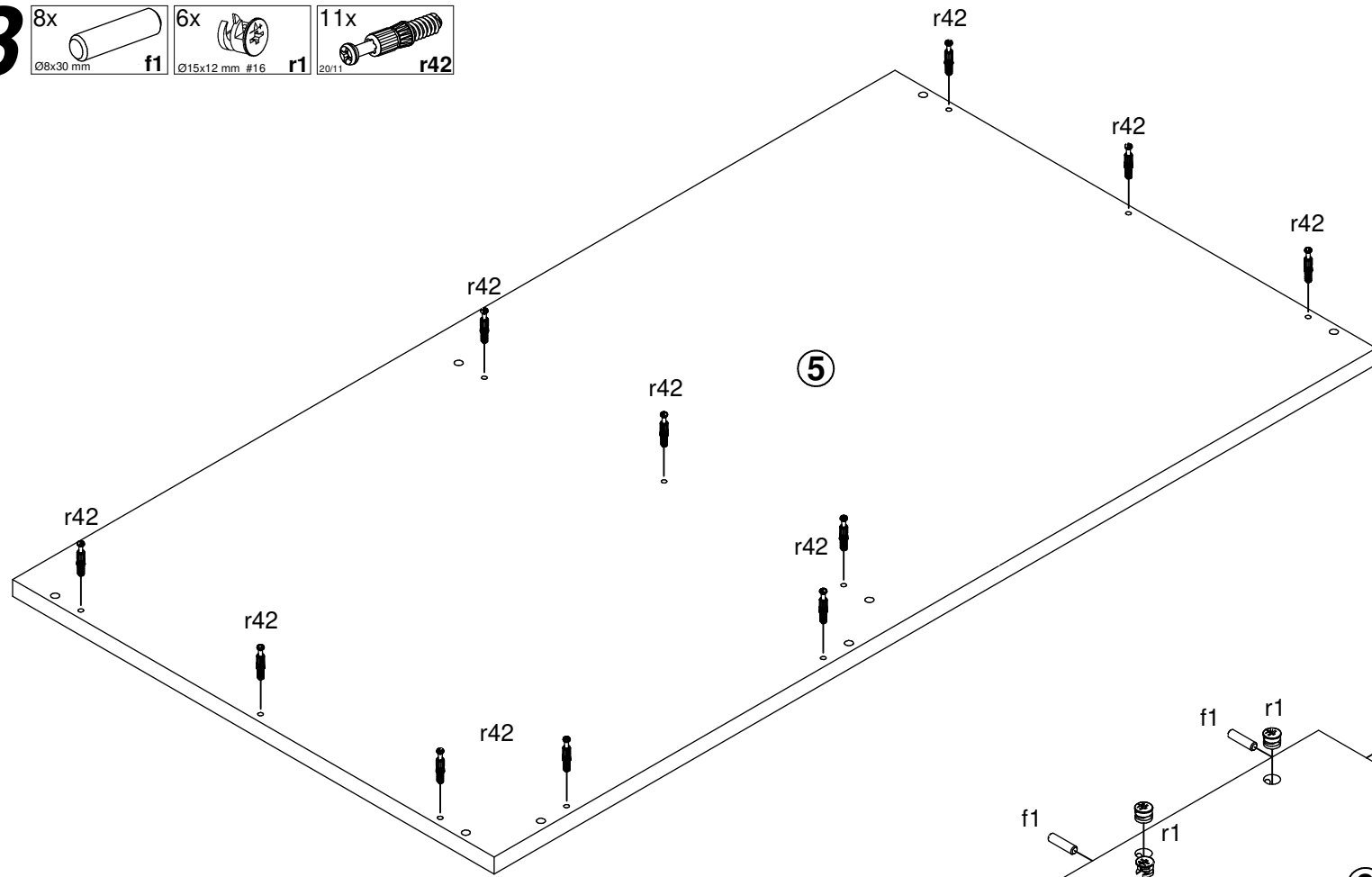
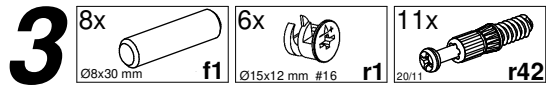


- 1** 3x  $\varnothing 5 \times 17 \text{ mm}$ **d1**
- 8x  $\varnothing 8 \times 30 \text{ mm}$ **f1**
- 3x  $\varnothing 3,5 \times 12 \text{ mm}$ **p140**
- 6x  $\varnothing 15 \times 12 \text{ mm}$ #16 **r1**
- 2x  20×11 **r42**
- 1x  $350 / 580 \text{ mm}$ **w152/2**

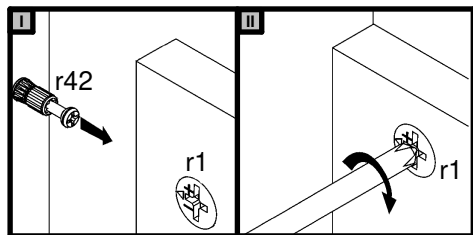
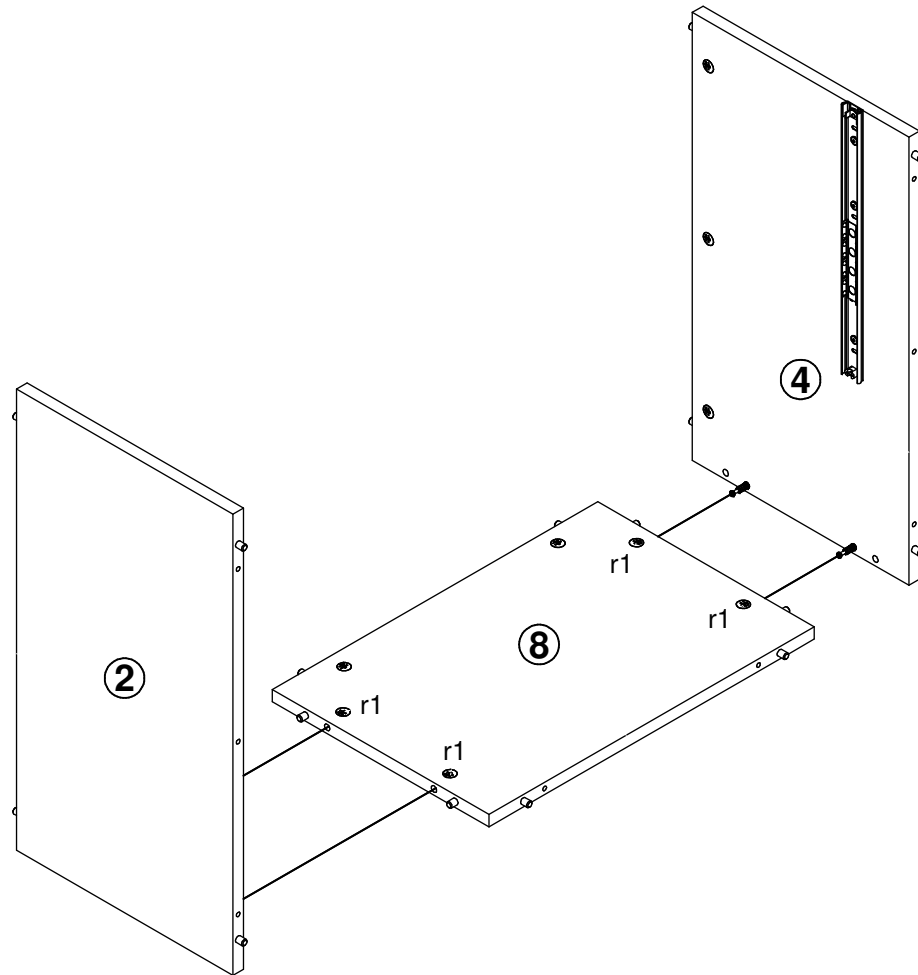


- 2 3x  $\varnothing 5 \times 17$ mm d1
- 4x  $\varnothing 8 \times 30$ mm f1
- 3x  $\varnothing 3.5 \times 12$ mm p140
- 3x  $\varnothing 15 \times 12$ mm #16 r1
- 2x  $\varnothing 20 / 11$ r42
- 1x  350/580 mm w152\2

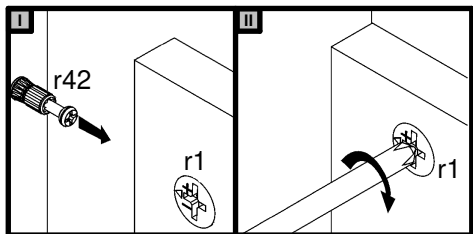
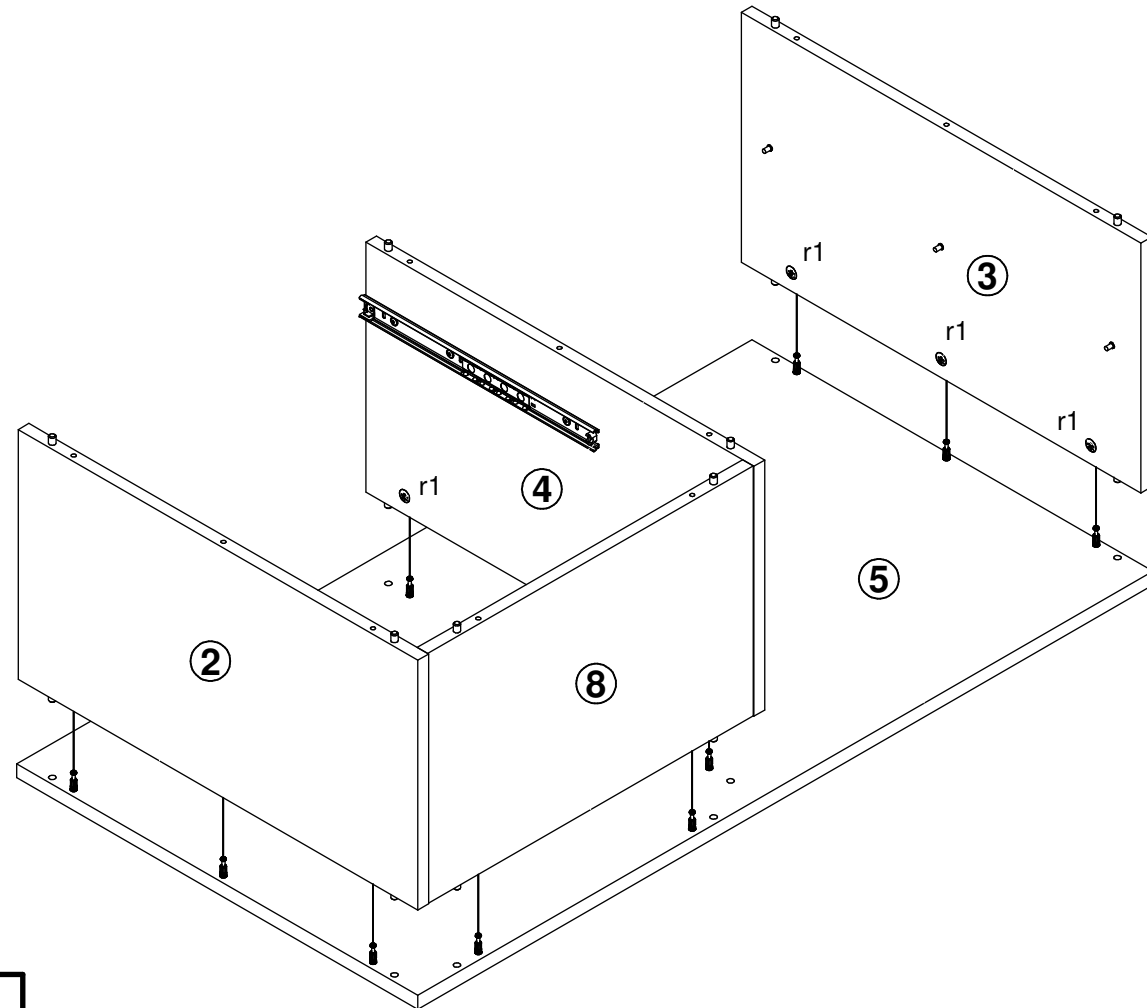


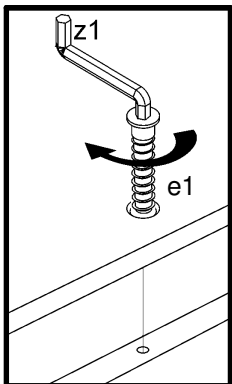
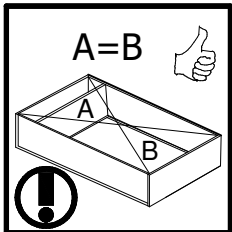
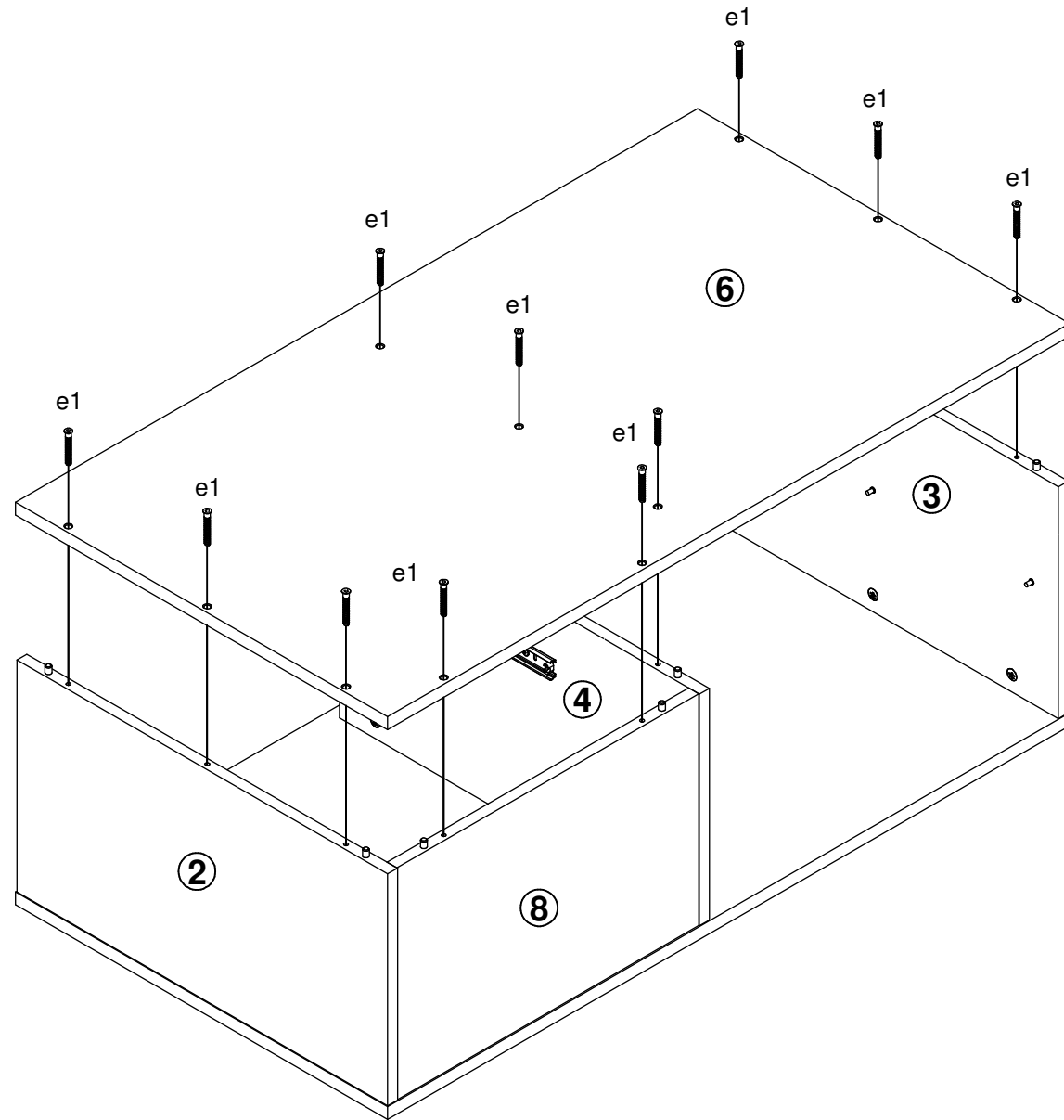
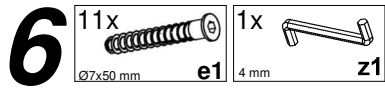


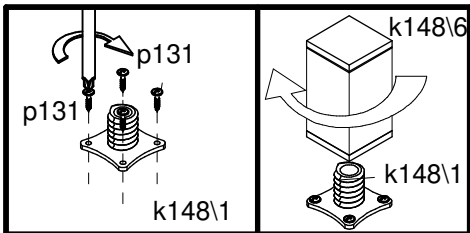
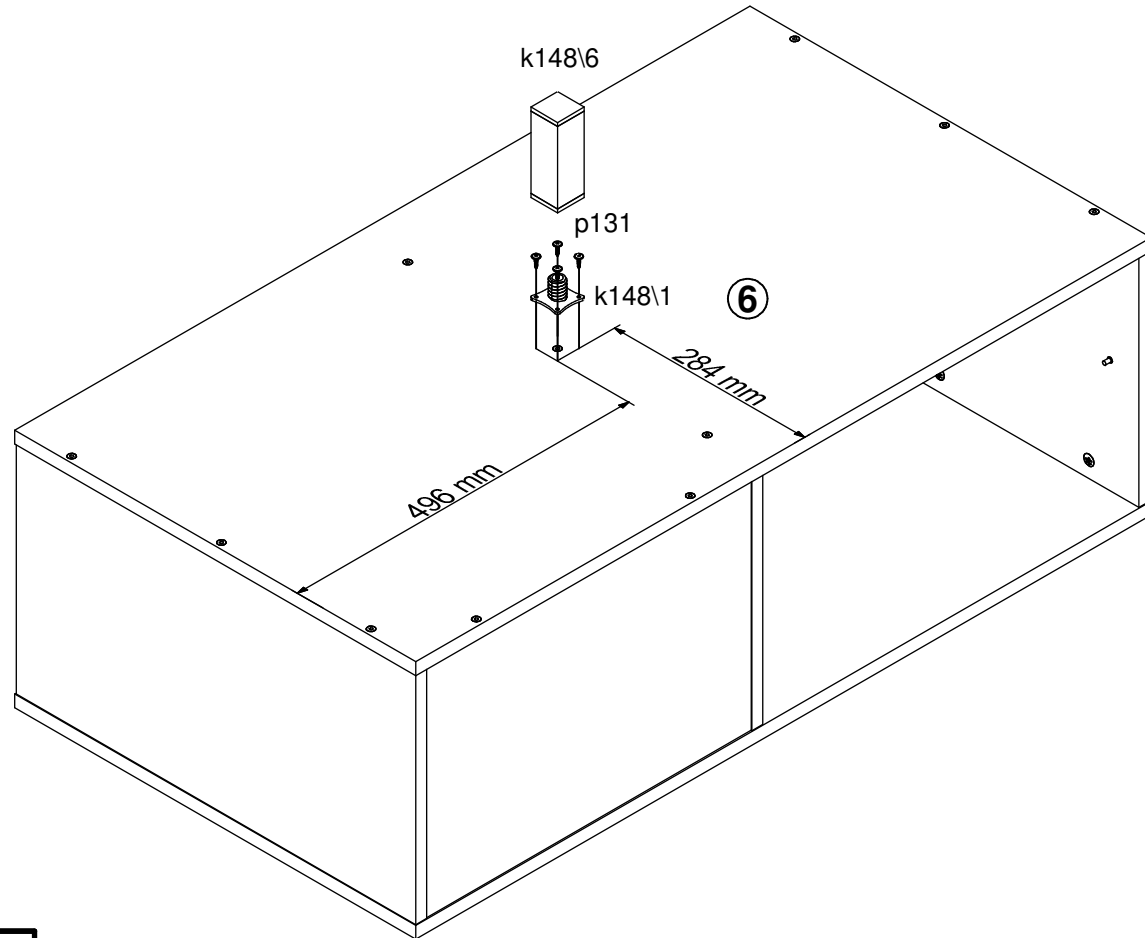
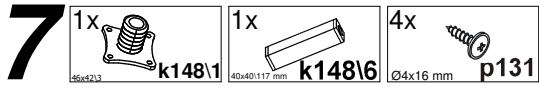
4

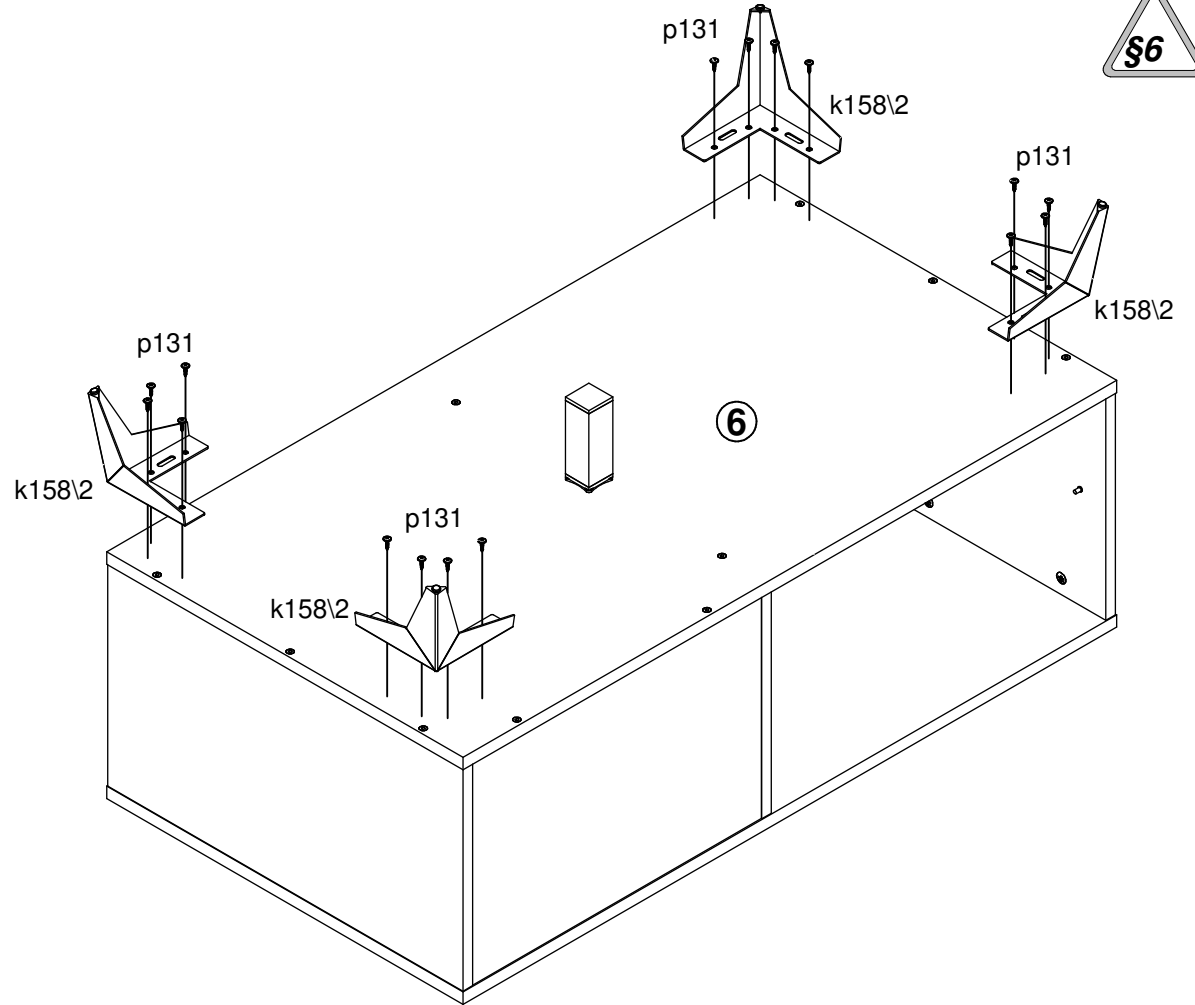
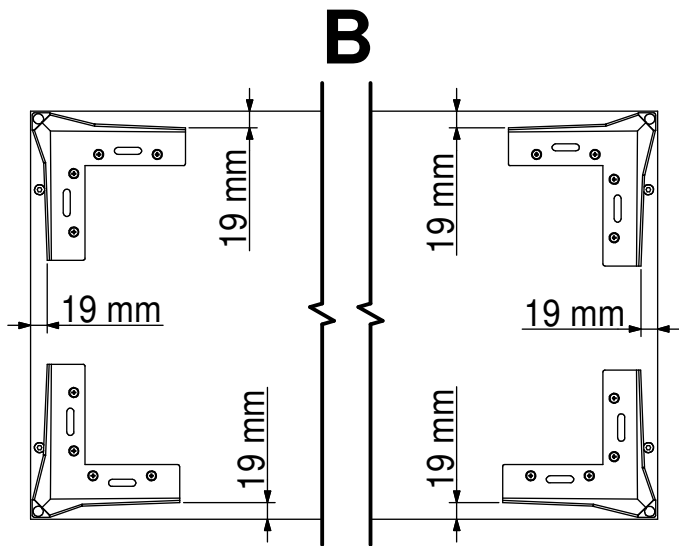
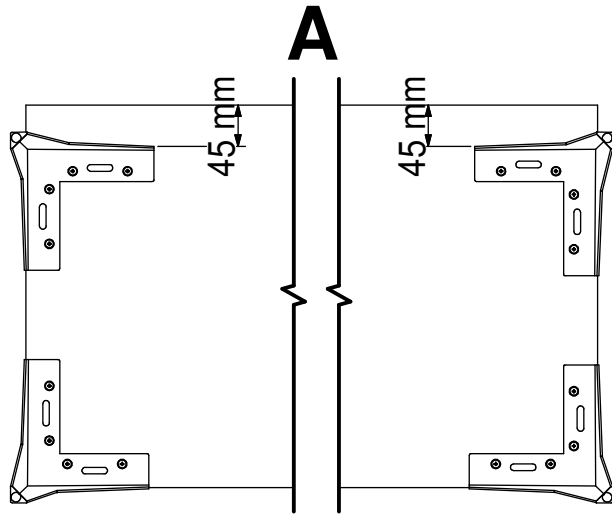
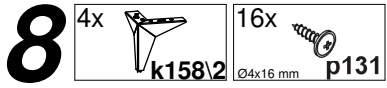


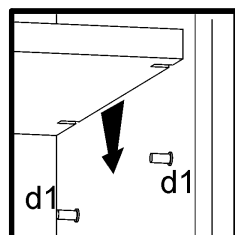
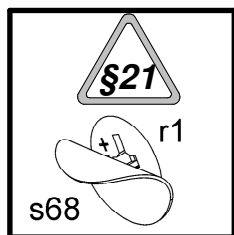
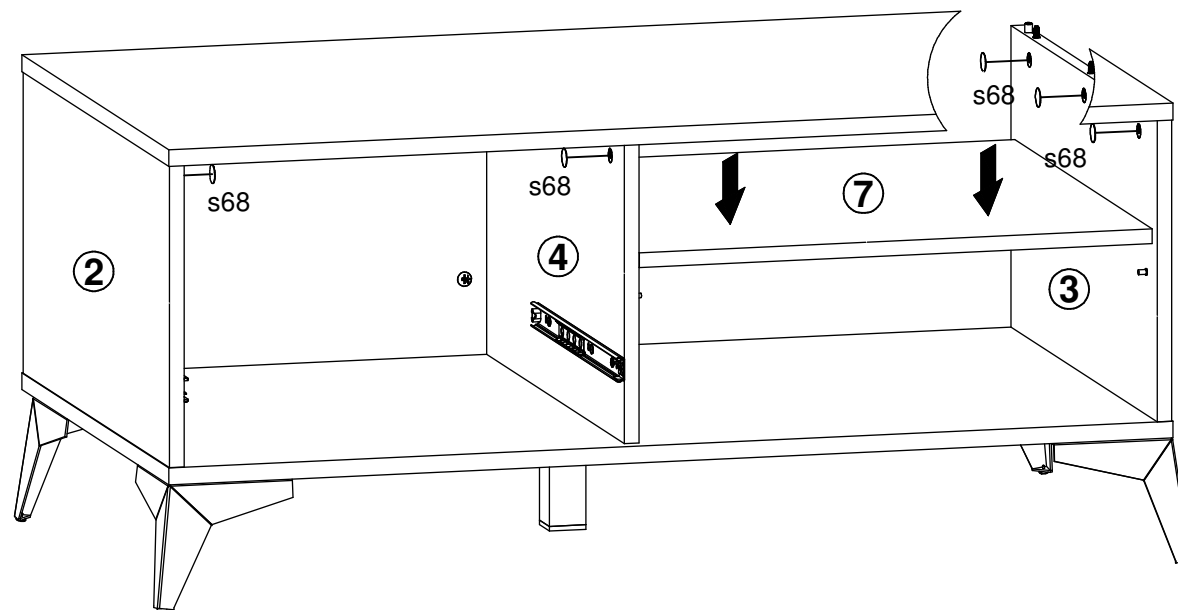
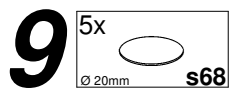
5









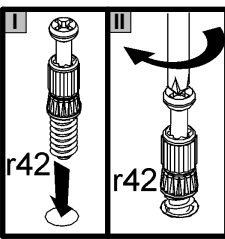
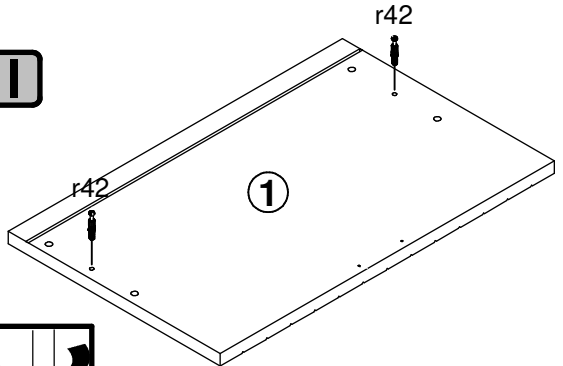


10

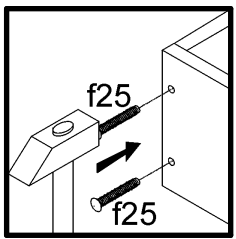
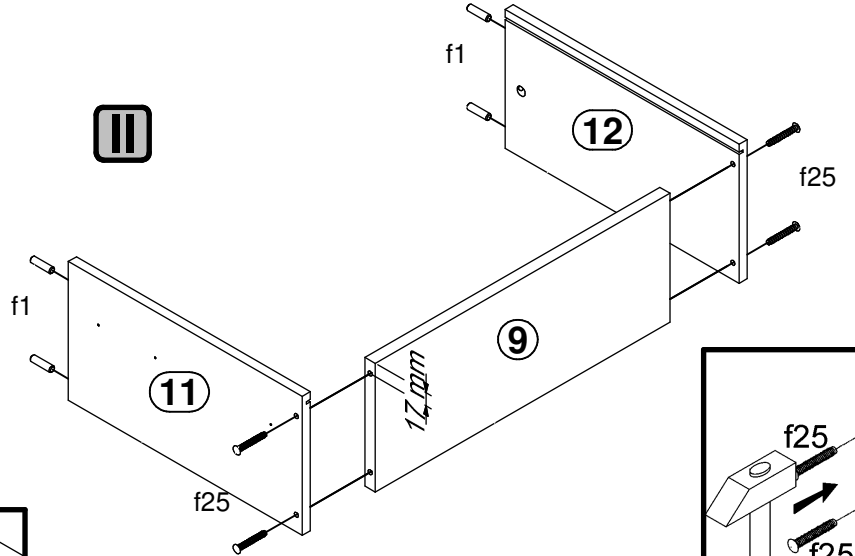
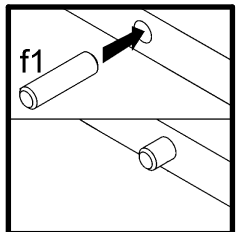
- 1x 64 mm **c623\1**
- 4x Ø8x30 mm **f1**
- 4x Ø6,5x40 mm **f25**
- 8x Ø3,5x12 mm **p140**
- 3x Ø2,9x16 mm **p55**
- 2x Ø12x10,5 mm #12 **r15**
- 2x 350/580 mm **w152\1**



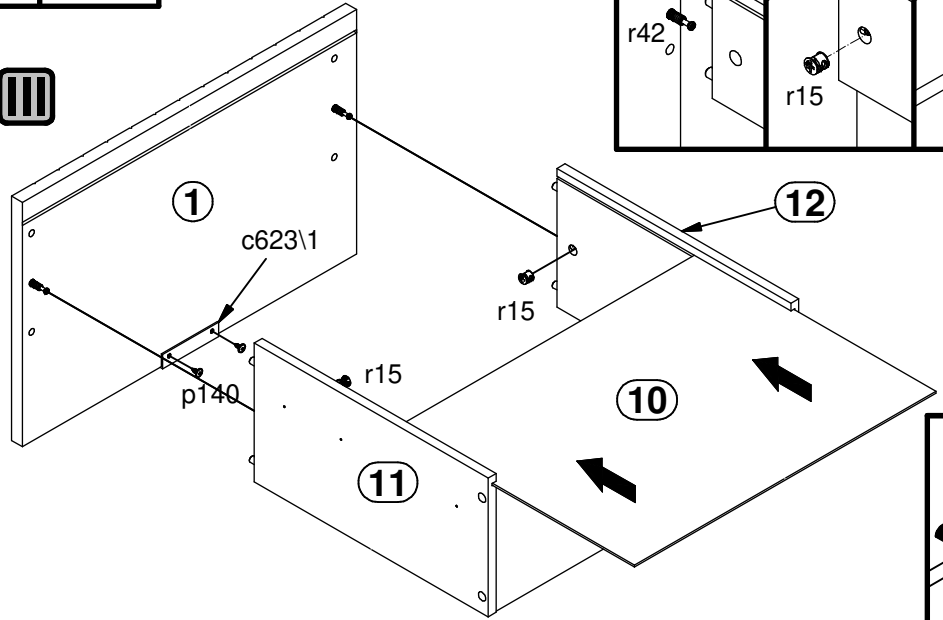
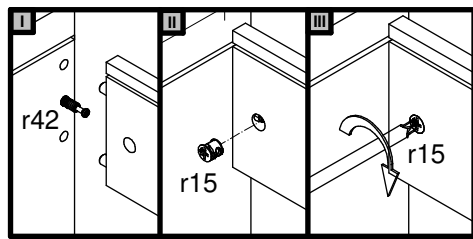
I



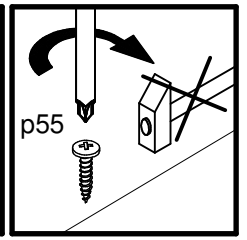
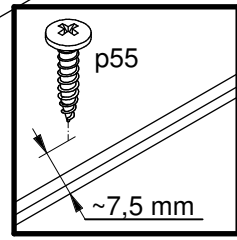
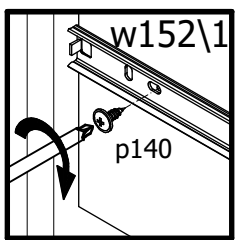
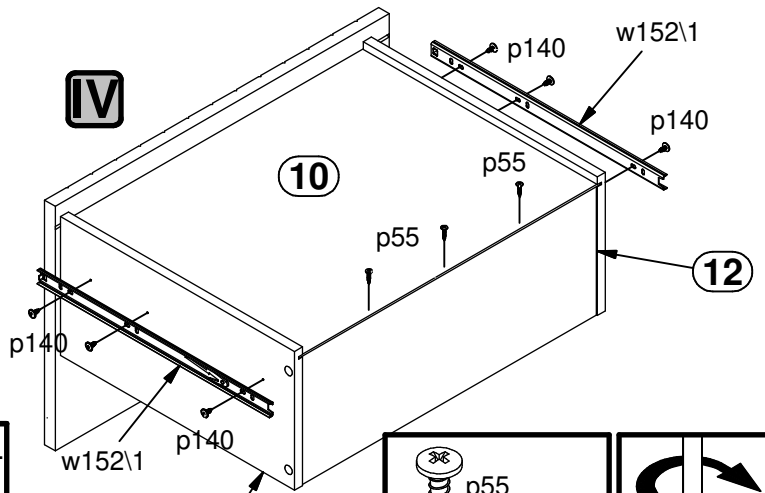
II



III



IV



11

