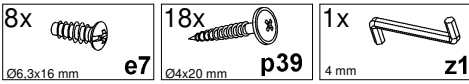
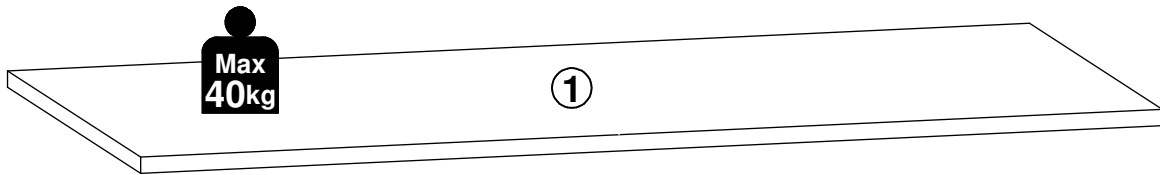
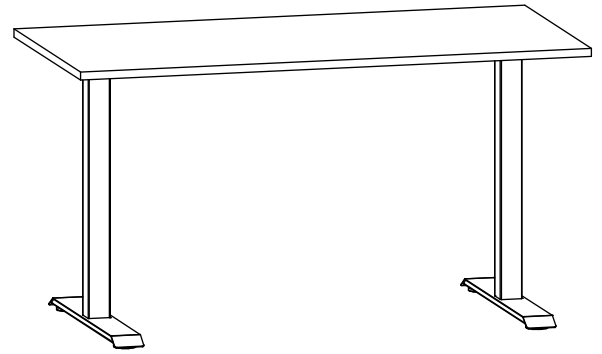
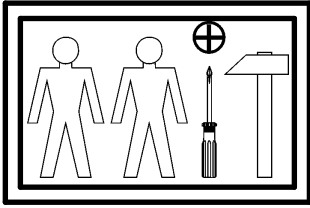
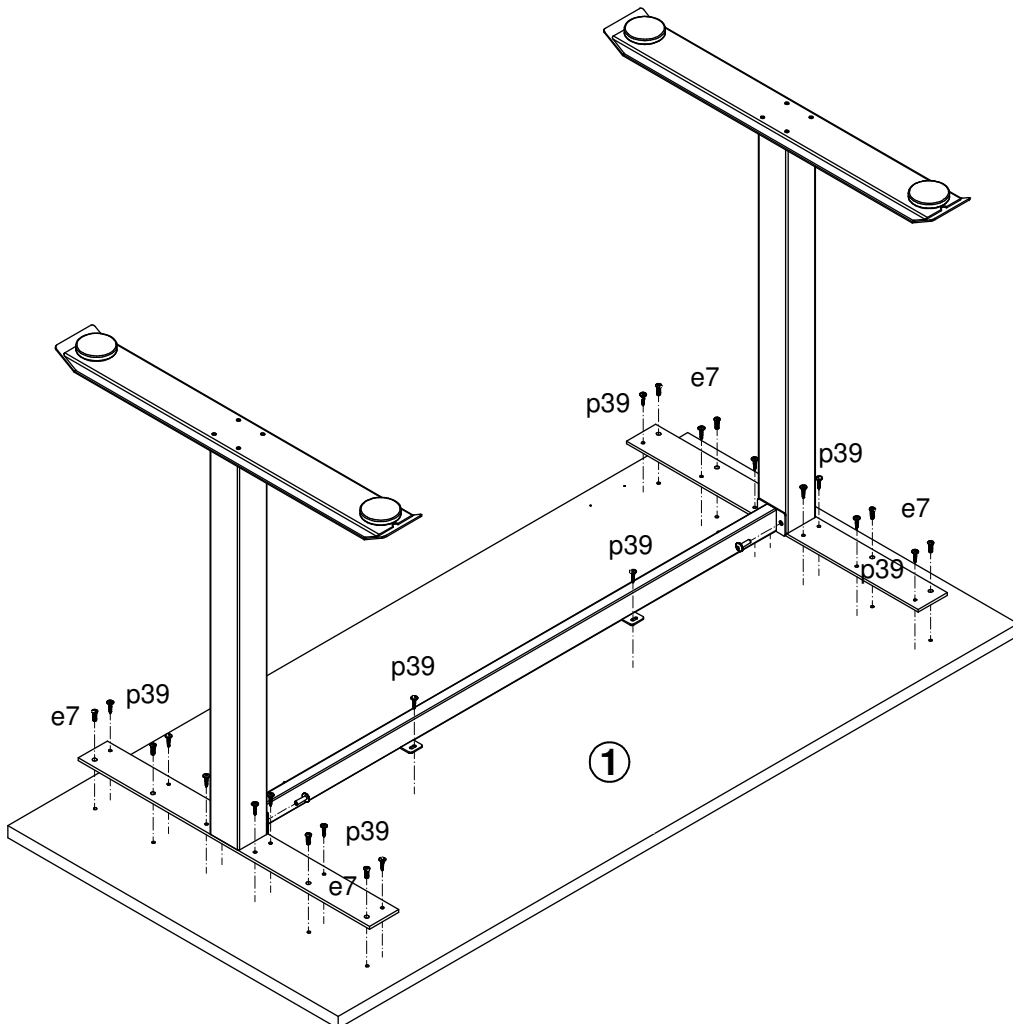


**A****OFFICE SPACE S479-BIU/140/68/A**

A	B	C	D
1	S479-2023	1400	680 1/3


**1** §6


**A****OFFICE SPACE S479-BIU/140/68/B**

A	B	C	D
1	S479-2023	1400	680 1/2

