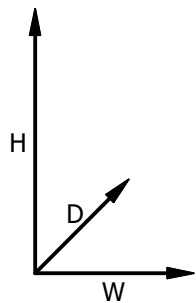
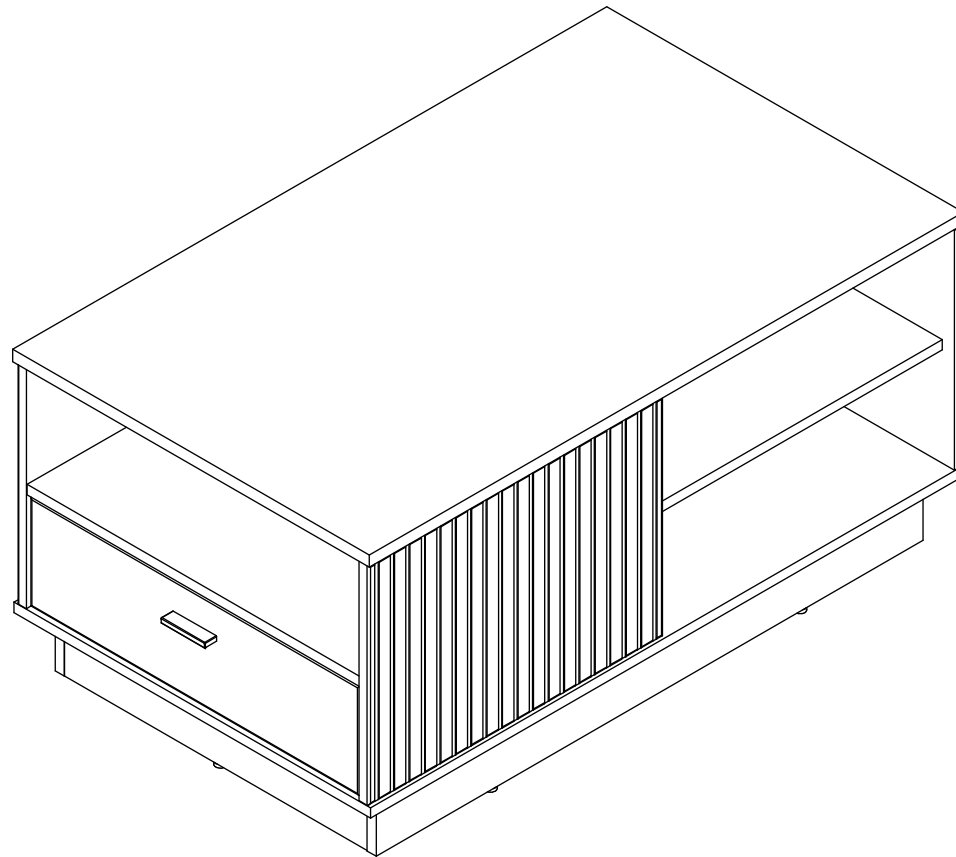
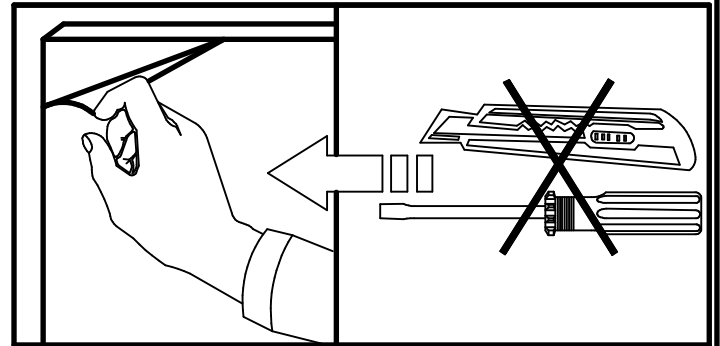
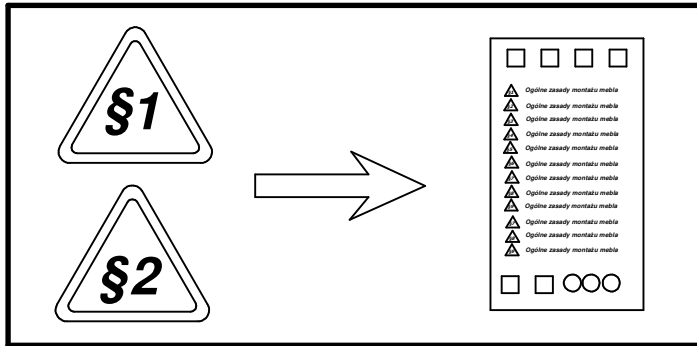
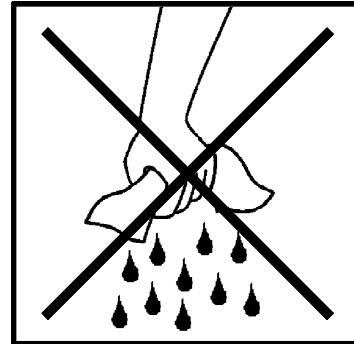
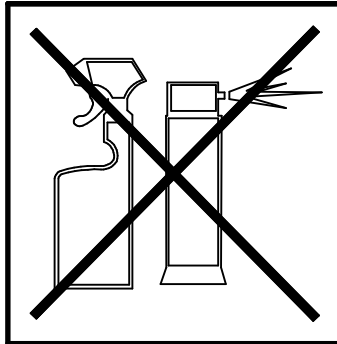
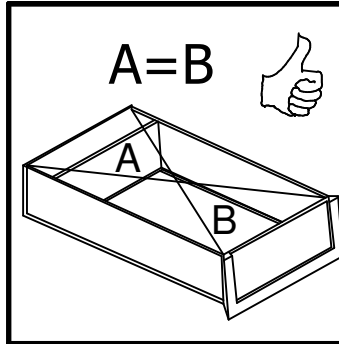
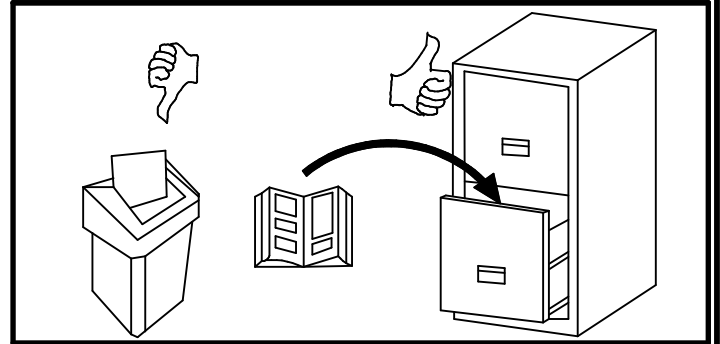
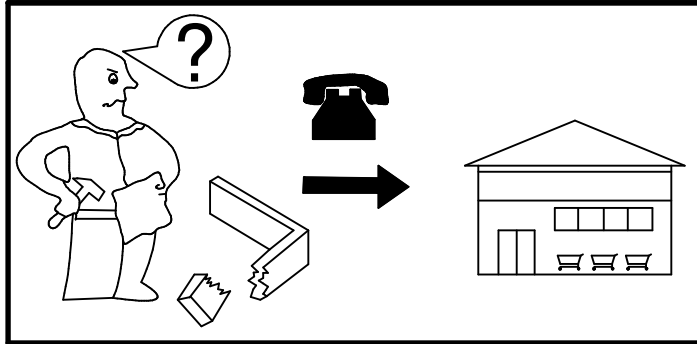
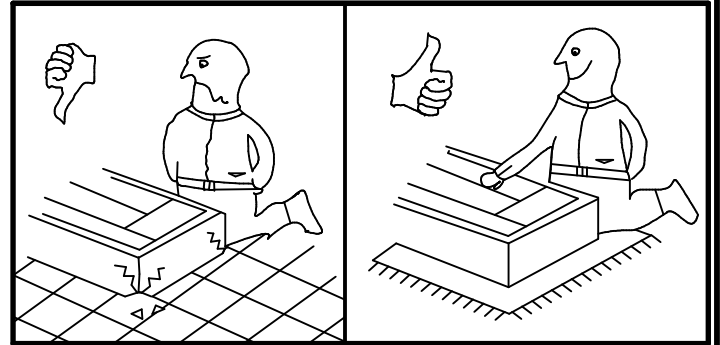
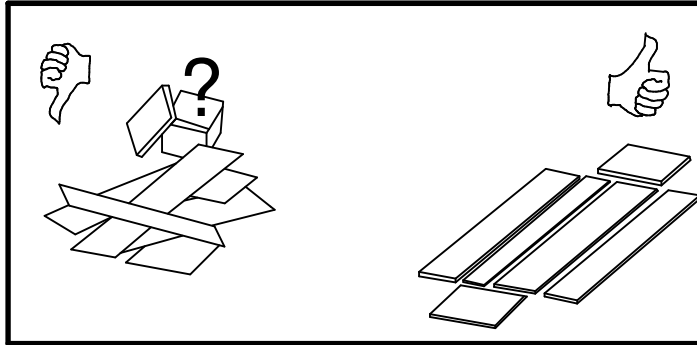
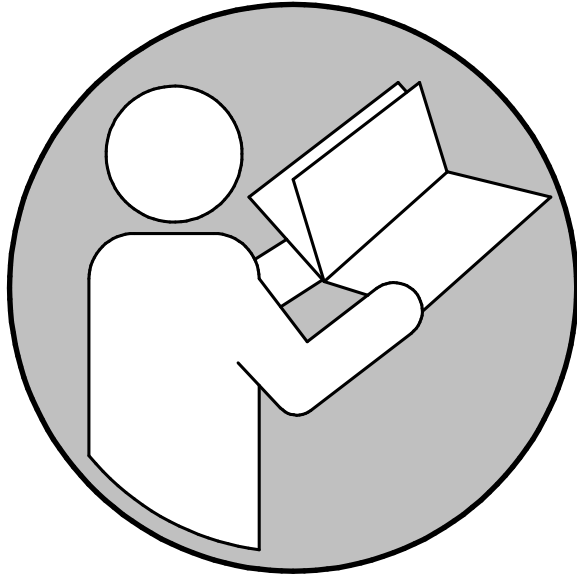


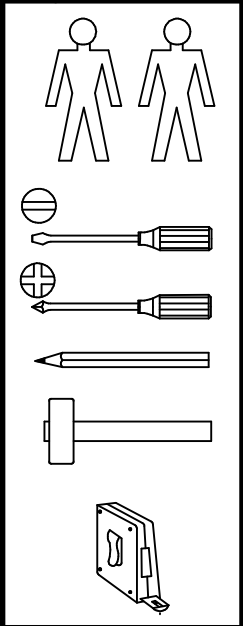
ZENDA

S617-LAW1S

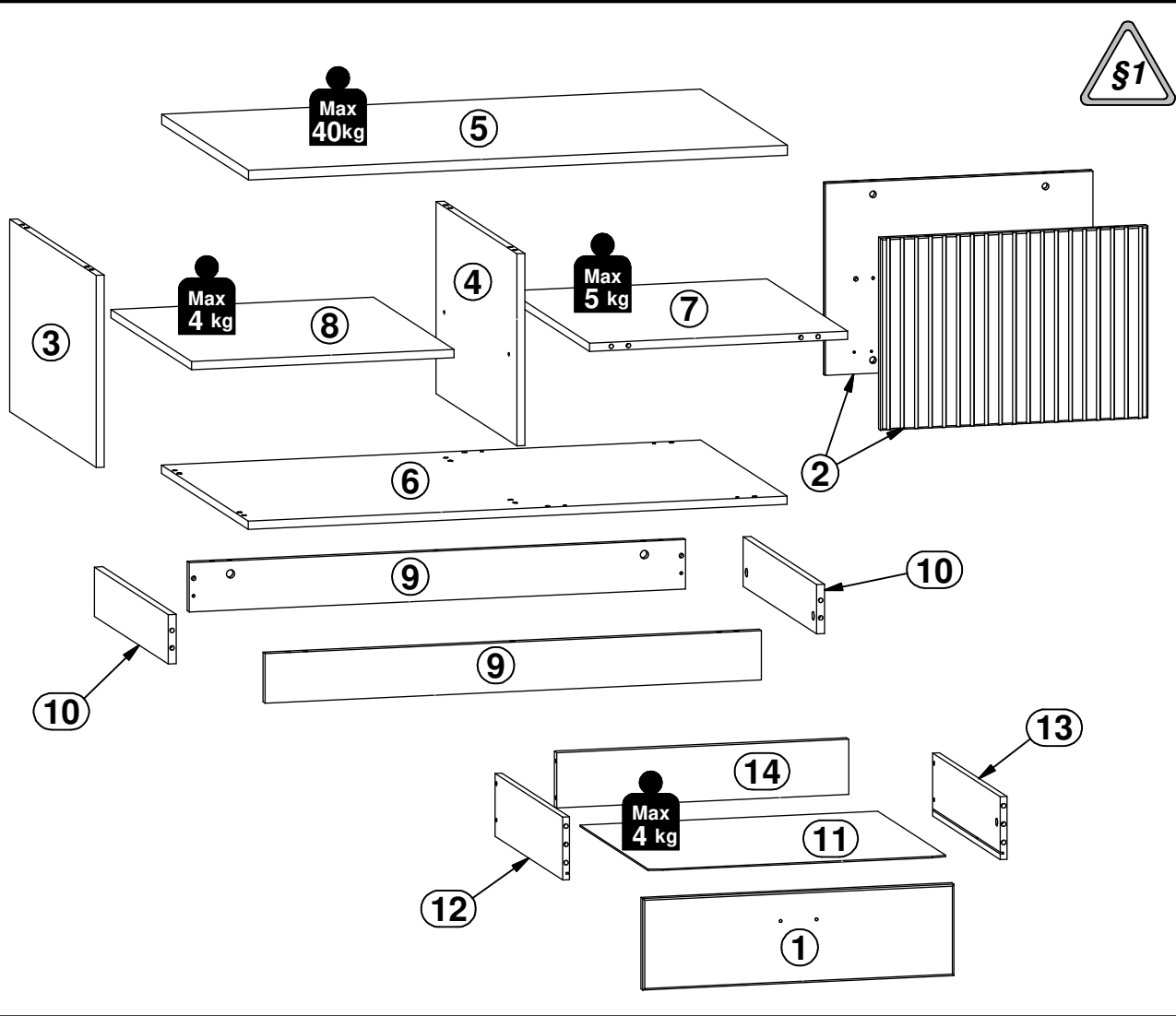


H - 478 mm
W - 1000 mm
D - 600 mm

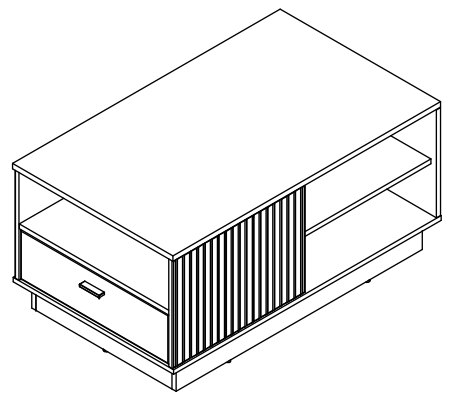




40 min

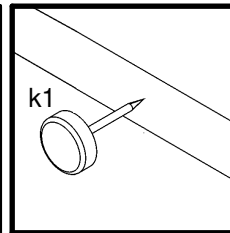
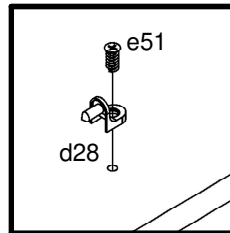
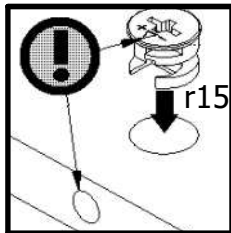
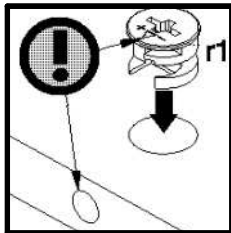
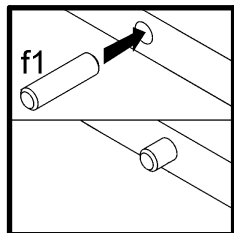
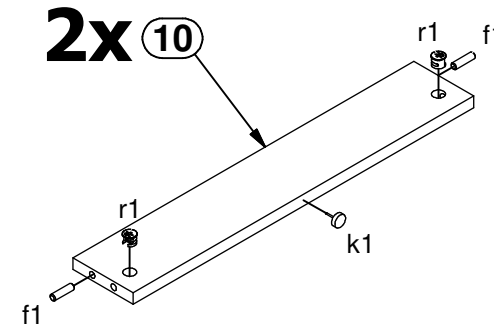
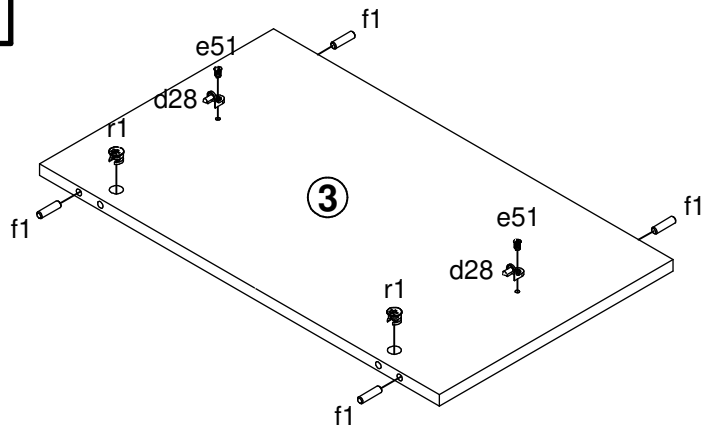
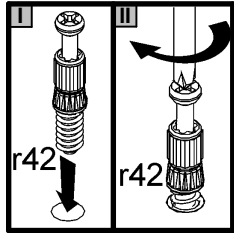
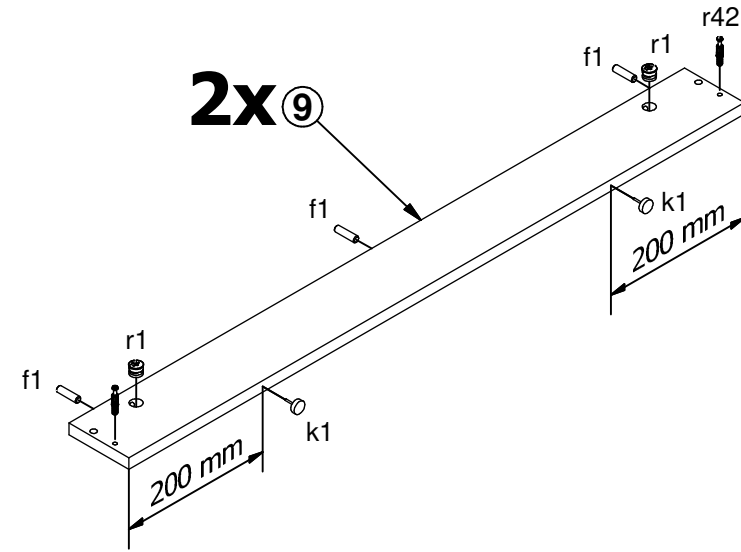
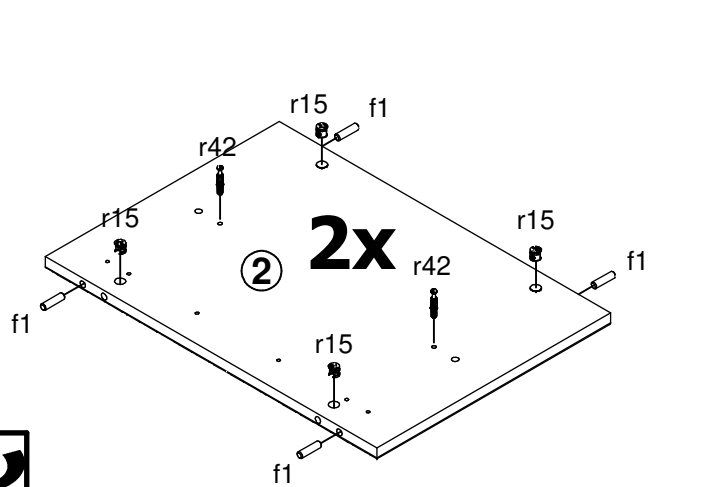




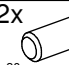

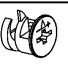

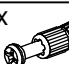
A	B	C (mm)			D
1	S617-0022	554	160	16	1/2
2	S617-0123	350	496	16	2/2
3	S617-1035	350	598	15	1/2
4	S617-1036	350	560	15	1/2
5	S617-2017	1000	600	18	2/2
6	S617-2018	1000	600	15	2/2
7	S617-3016	560	479	15	1/2
8	S617-3017	487	558	15	1/2
9	S617-4010	921	90	15	2/2
10	S617-4011	510	90	15	1/2
11	S617-9009	530	457	2,5	1/2
12	WSQ2-5009	450	110	12	1/2
13	WSQ2-5010	450	110	12	1/2
14	ZQ6-5436	520	97	15	1/2



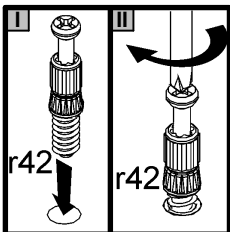
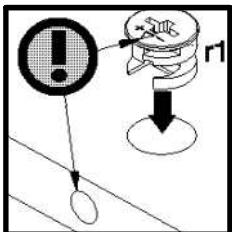
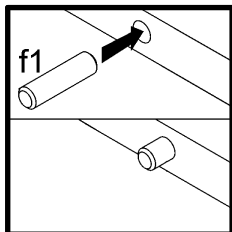
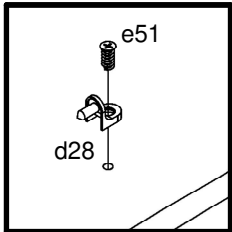
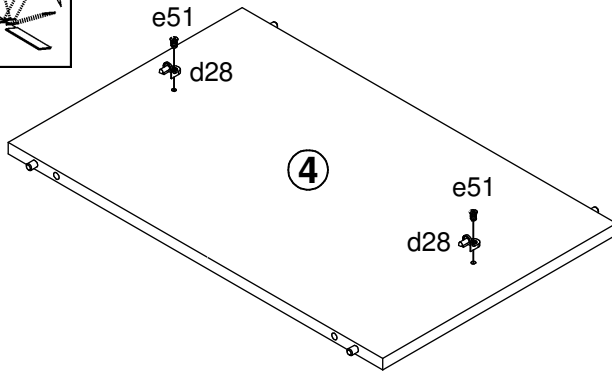
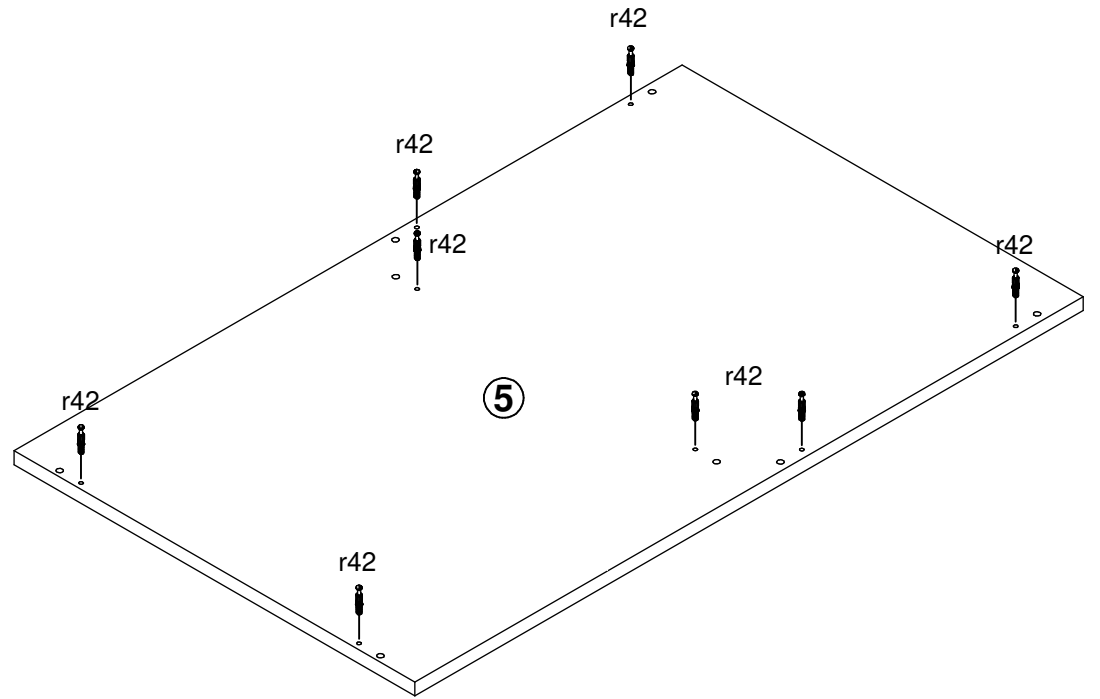
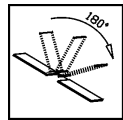
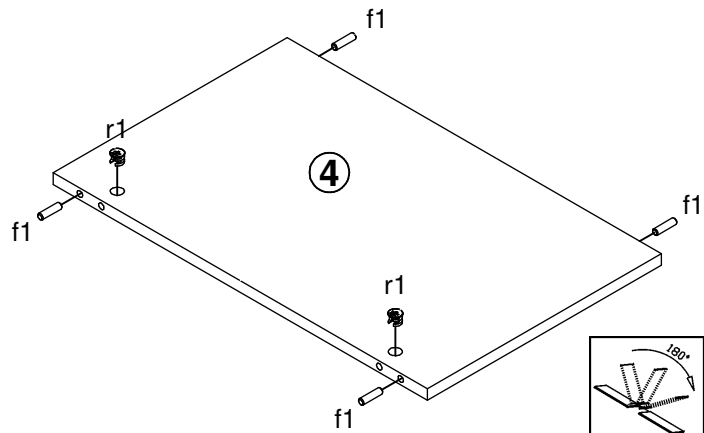
1x c491 1	4x d28	4x e1 Ø7x50 mm	6x e3 Ø6x13 mm	cm 0 1 2 3 4 5 6 7 8 9 10	4x e51 Ø6,3x10 mm	34x f1 Ø8x30 mm	4x f25 Ø6,5x40 mm	D 1/2				
2x j30 M4x22 mm	6x k1	1x p140 Ø3,5x12 mm	1x p51 Ø3,5x15 mm	8x p55 Ø2,9x16 mm	16x r1 Ø15x12 mm #16	10x r15 Ø12x10,5 mm #12	26x r42 20/11	4x s59 Ø14x0,5 mm	4x s68 Ø20mm	1x t38 450 mm	1x w126L L=450 mm	1x w126P L=450 mm
1x z1 4 mm												






1 



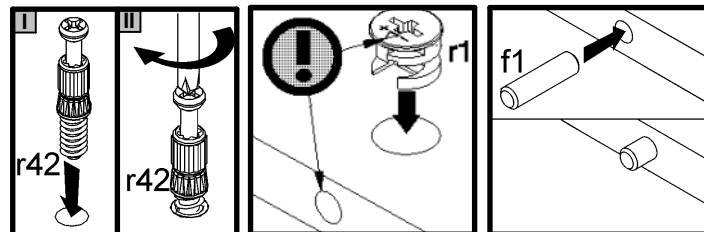
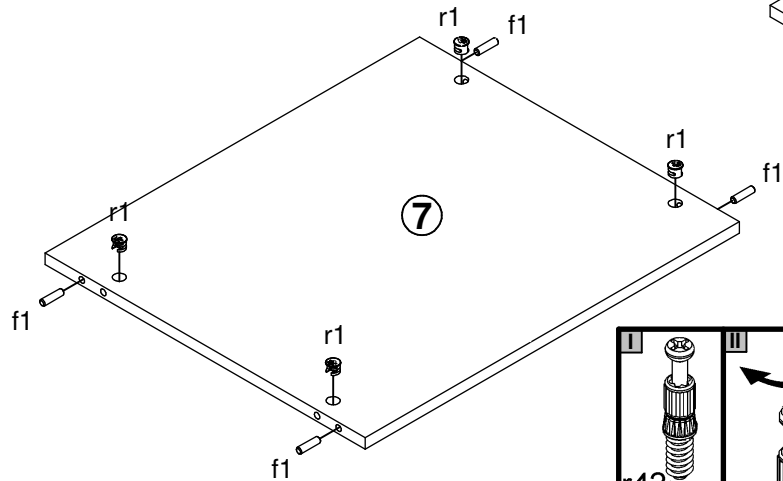
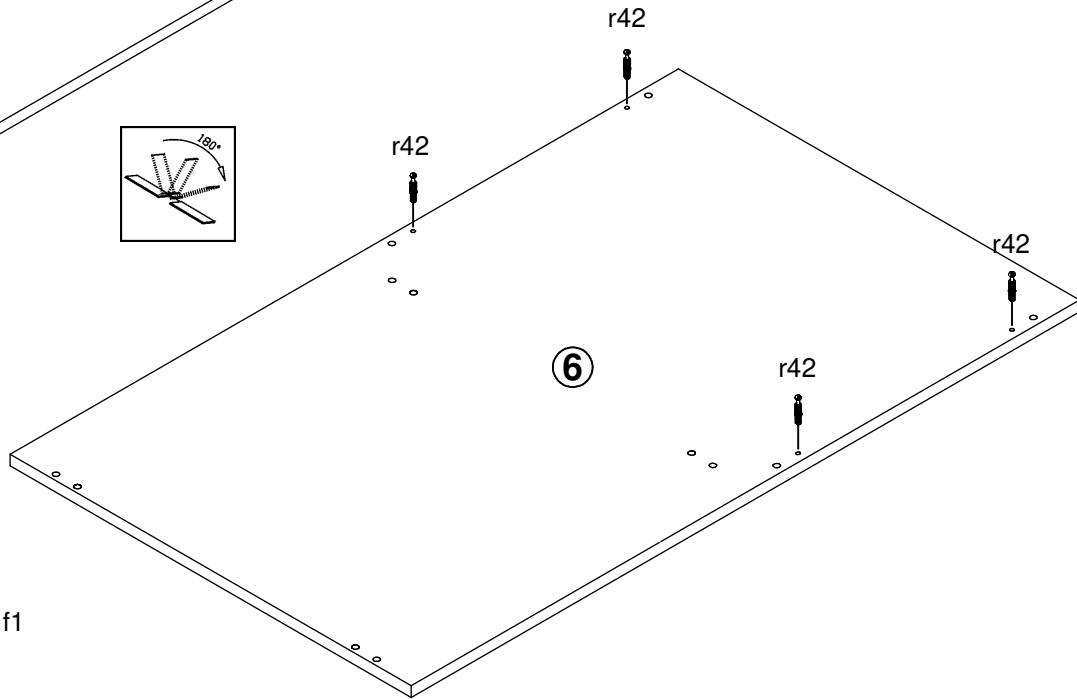
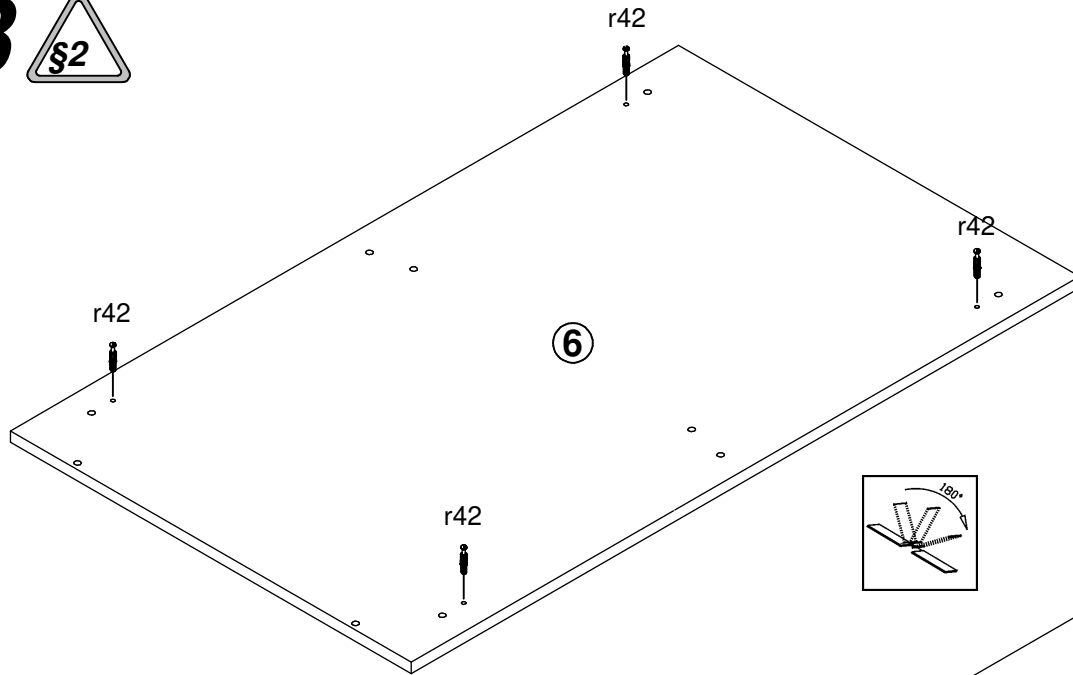
2x  d28	2x  e51	22x  f1	6x  k1
10x  r1	8x  r15	8x  r42	

2 



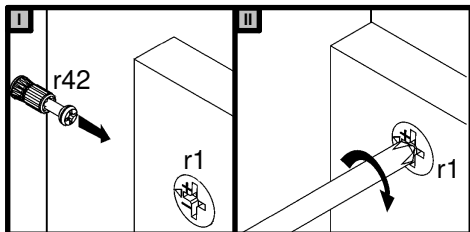
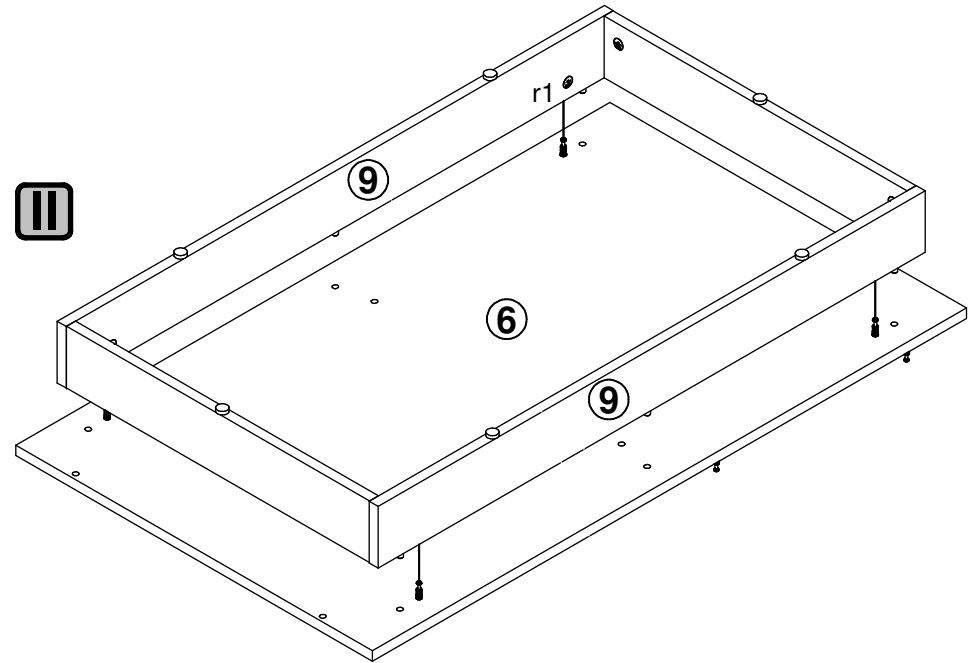
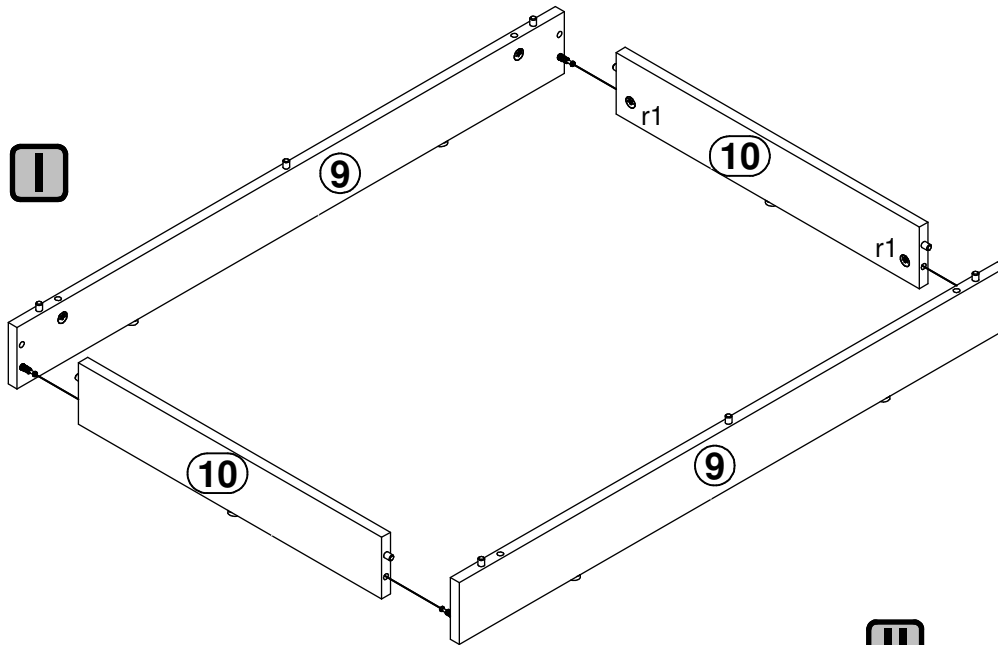
- 2x  d28
- 2x  e51
- 4x  f1
- 2x  r1
- 8x  r42

3 

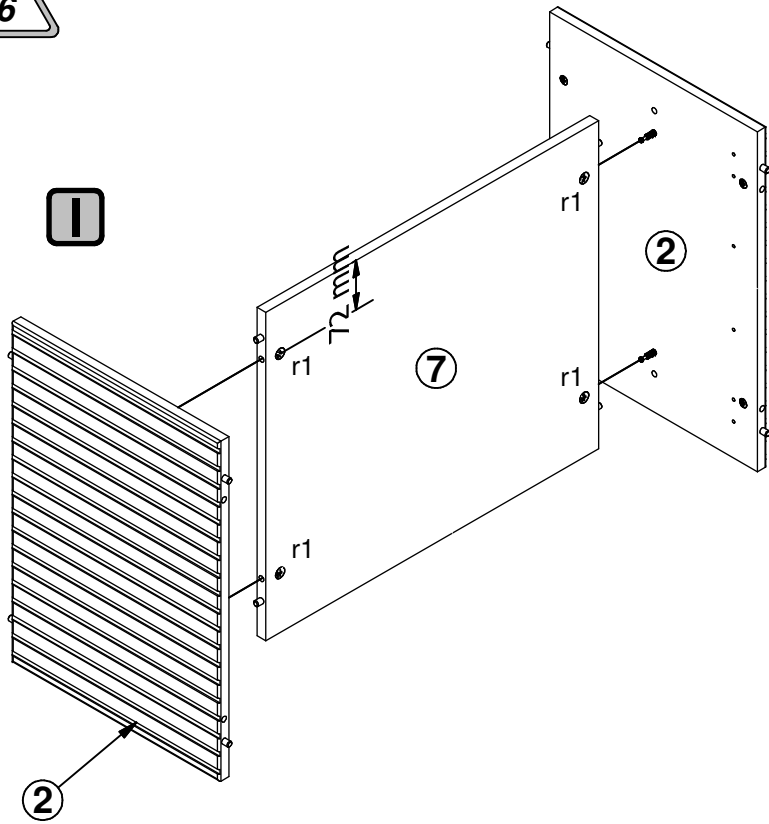


- | | | |
|---|--|---|
| 4x  f1
Ø8x30 mm | 4x  r1
Ø15x12 mm #16 | 8x  r42
20/11 |
|---|--|---|

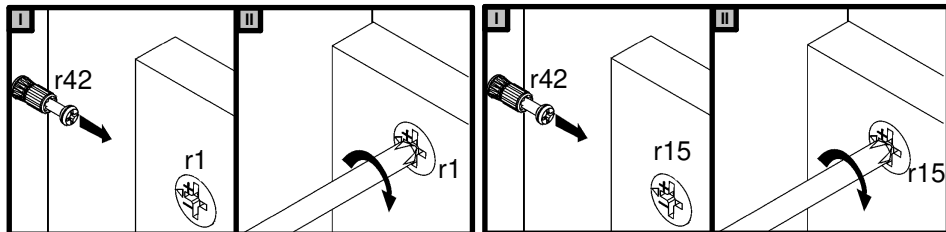
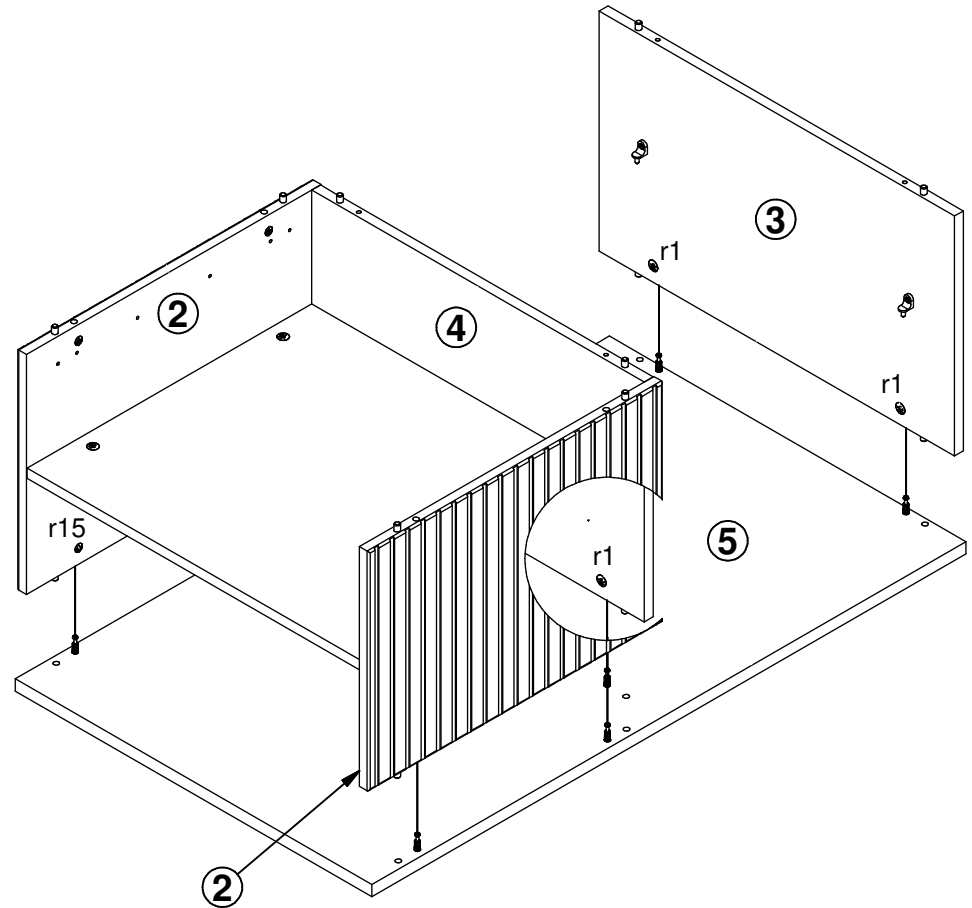
4 



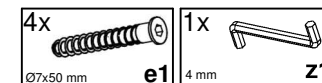
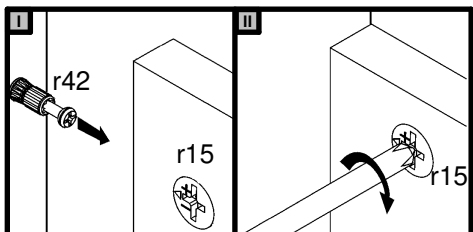
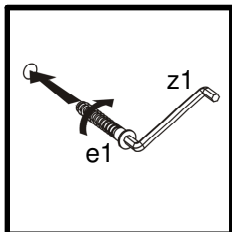
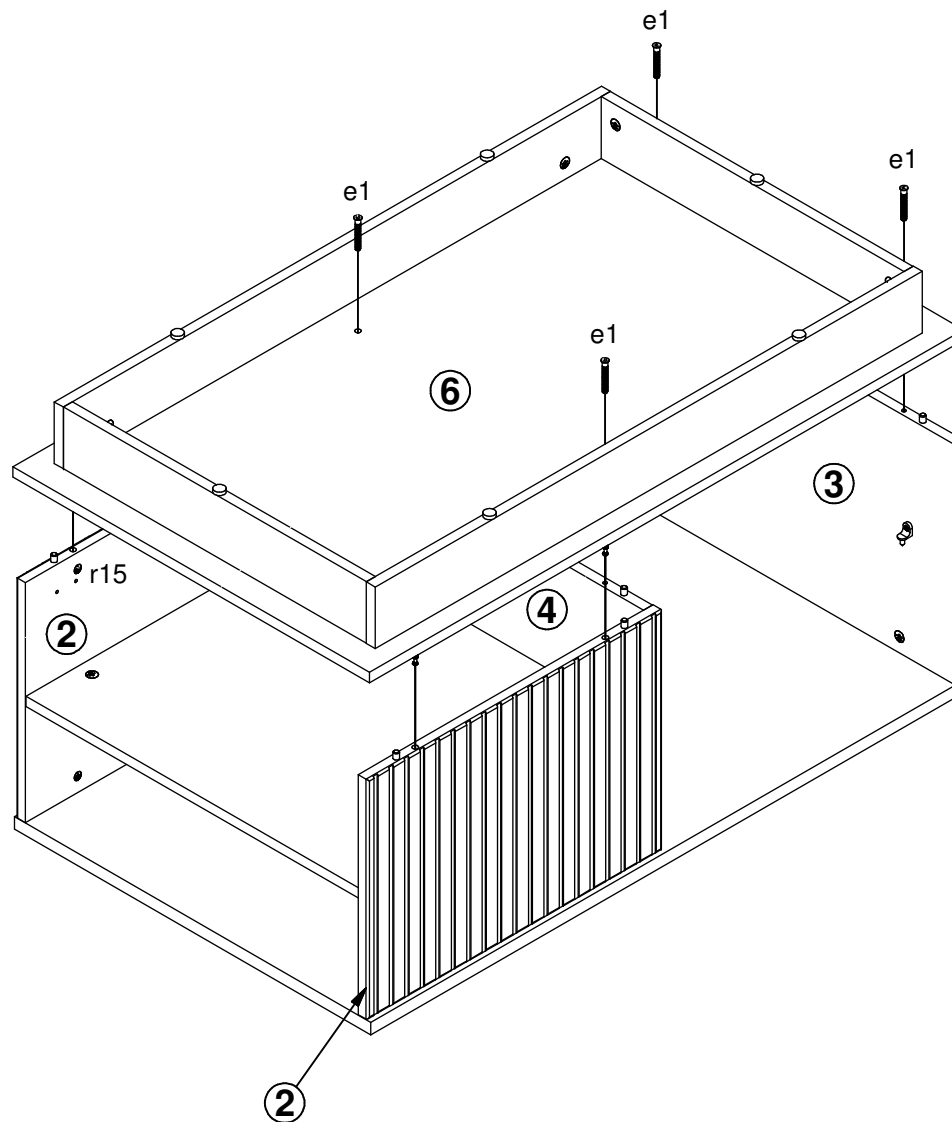
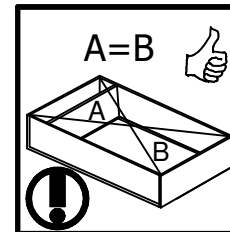
5 



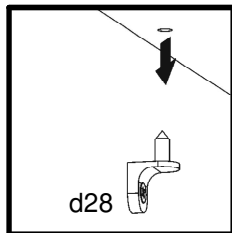
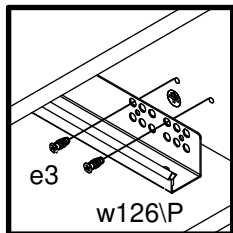
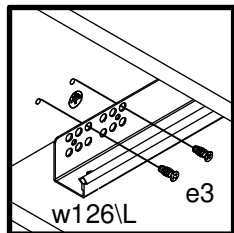
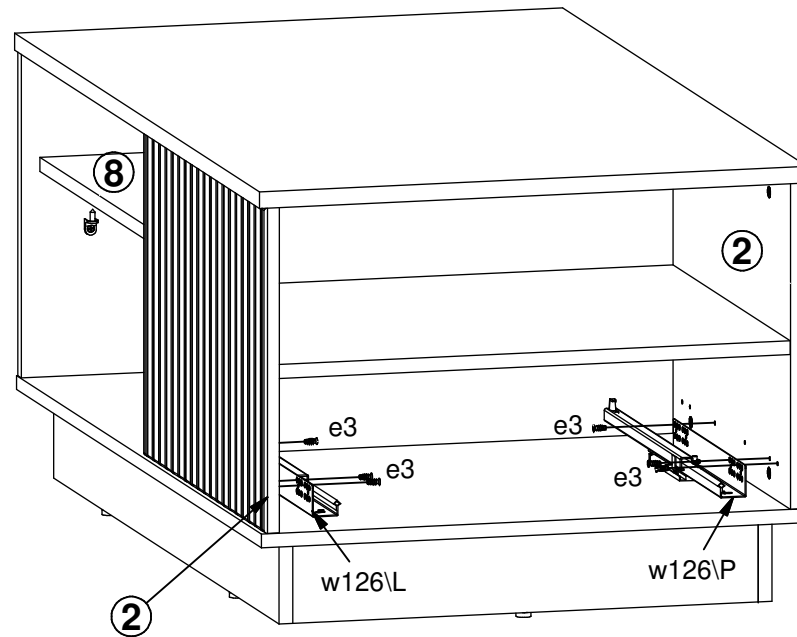
II






6 

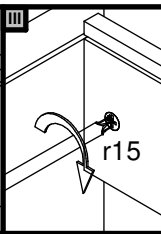
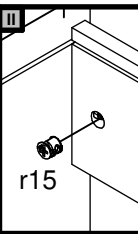
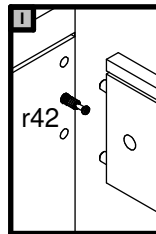
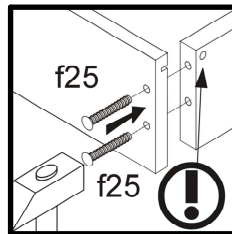
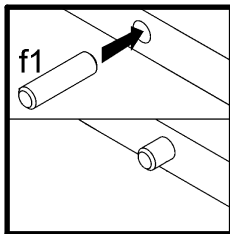
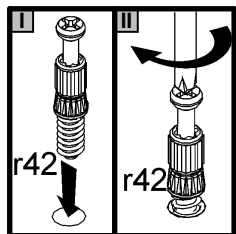
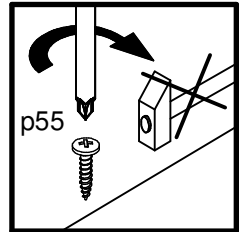
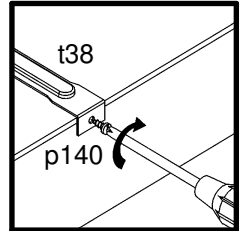
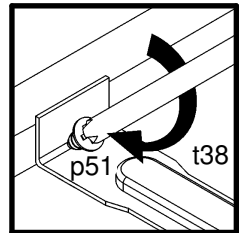
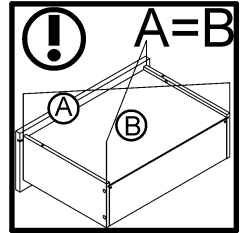
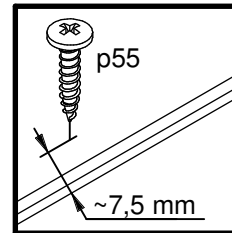
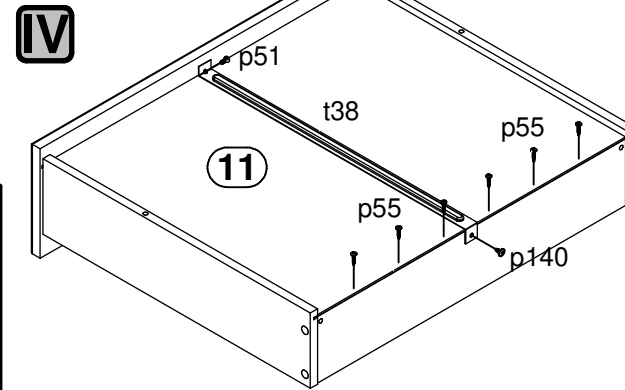
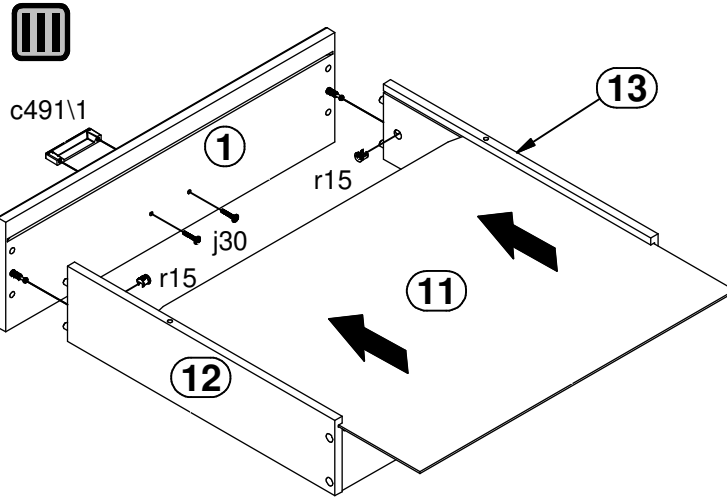
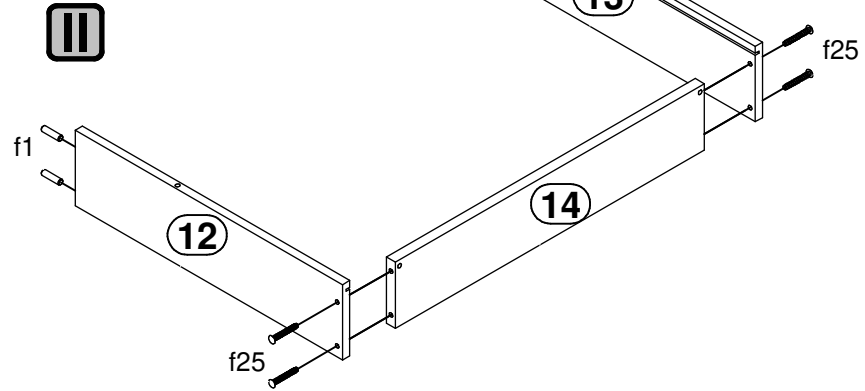
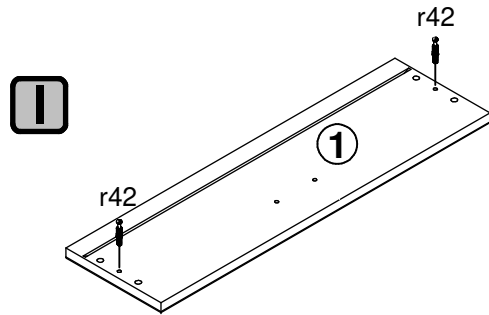



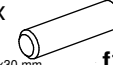



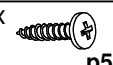


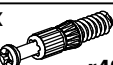

7 



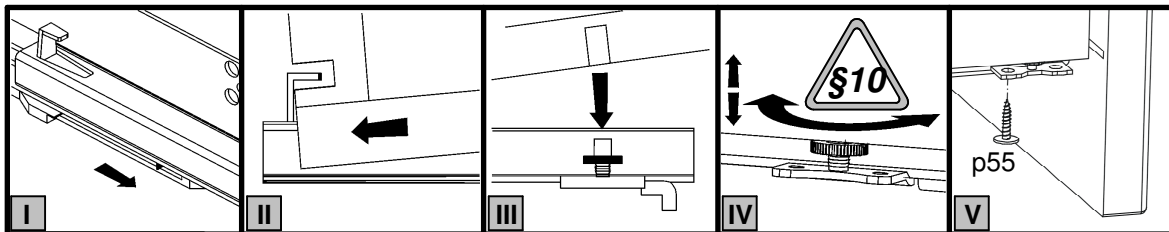
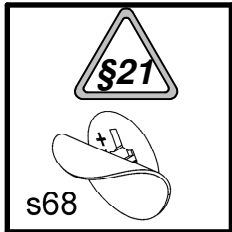
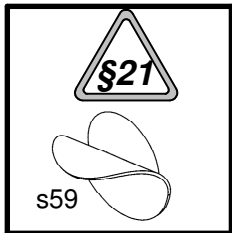
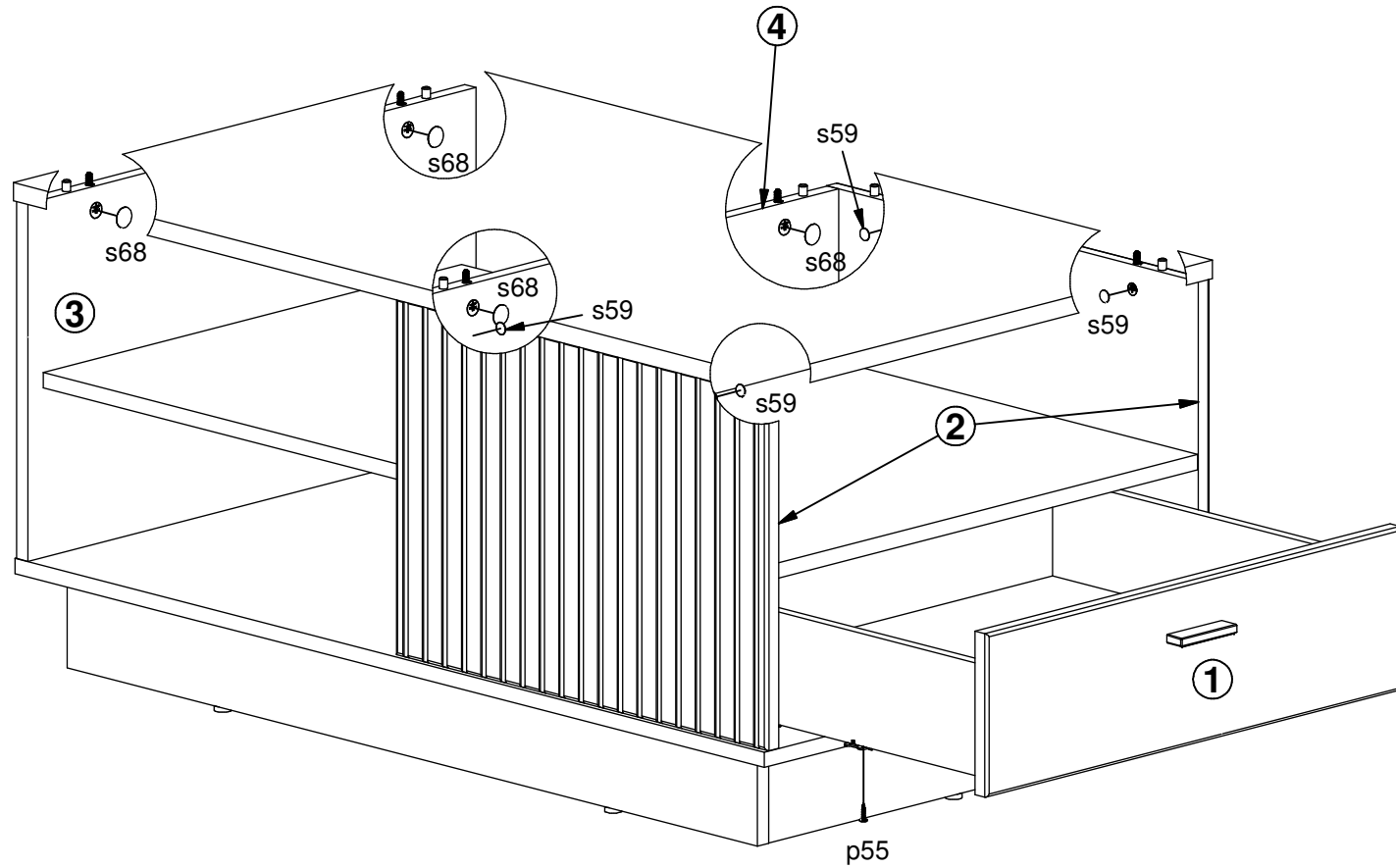
- 6x  $\varnothing 6 \times 13 \text{ mm}$
- 1x  $L=450 \text{ mm}$ w126\L
- 1x  $L=450 \text{ mm}$ w126\P



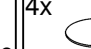
8  



1x  c491\1	4x  f1	4x  f25	2x  j30
1x  p51	6x  p55	1x  p140	2x  r15
2x  r42	1x  t38		

9 



- 2x  p55 Ø2.9x16 mm
- 4x  s59 Ø14x0.5 mm
- 4x  s68 Ø 20mm

10

