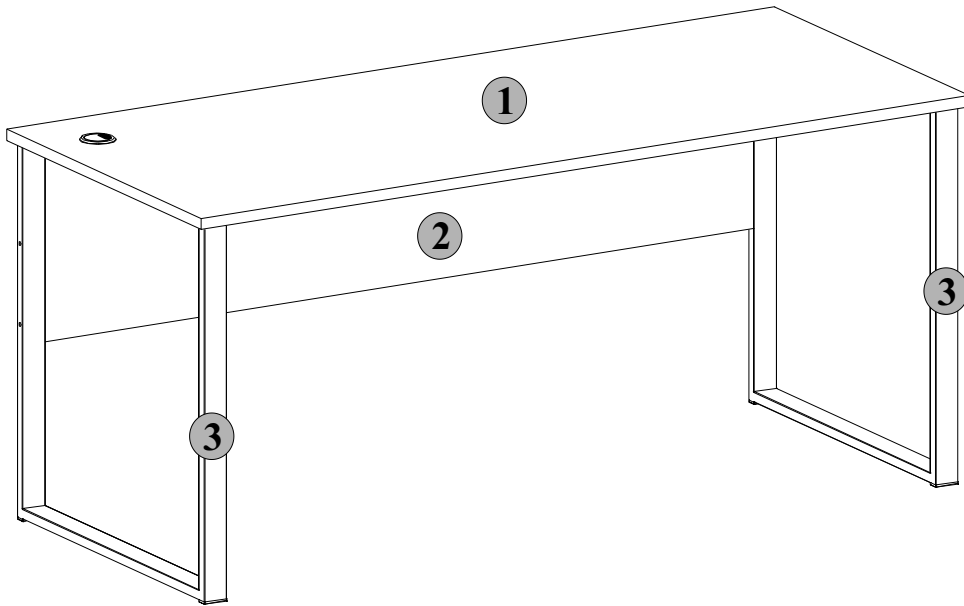
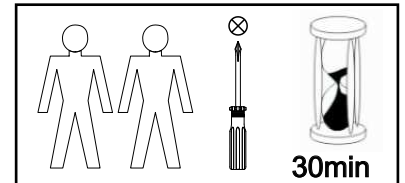


OFFICE LUX

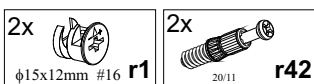
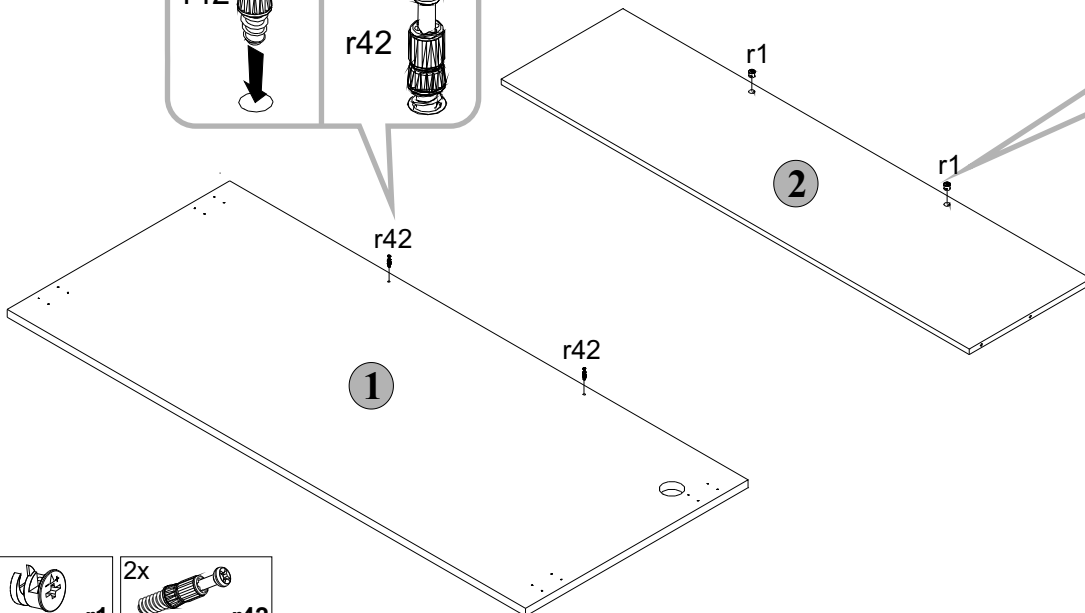
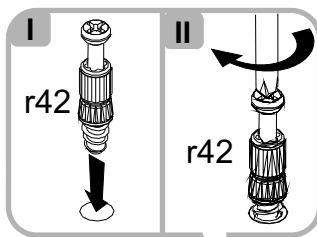
S363-BIU/160/73



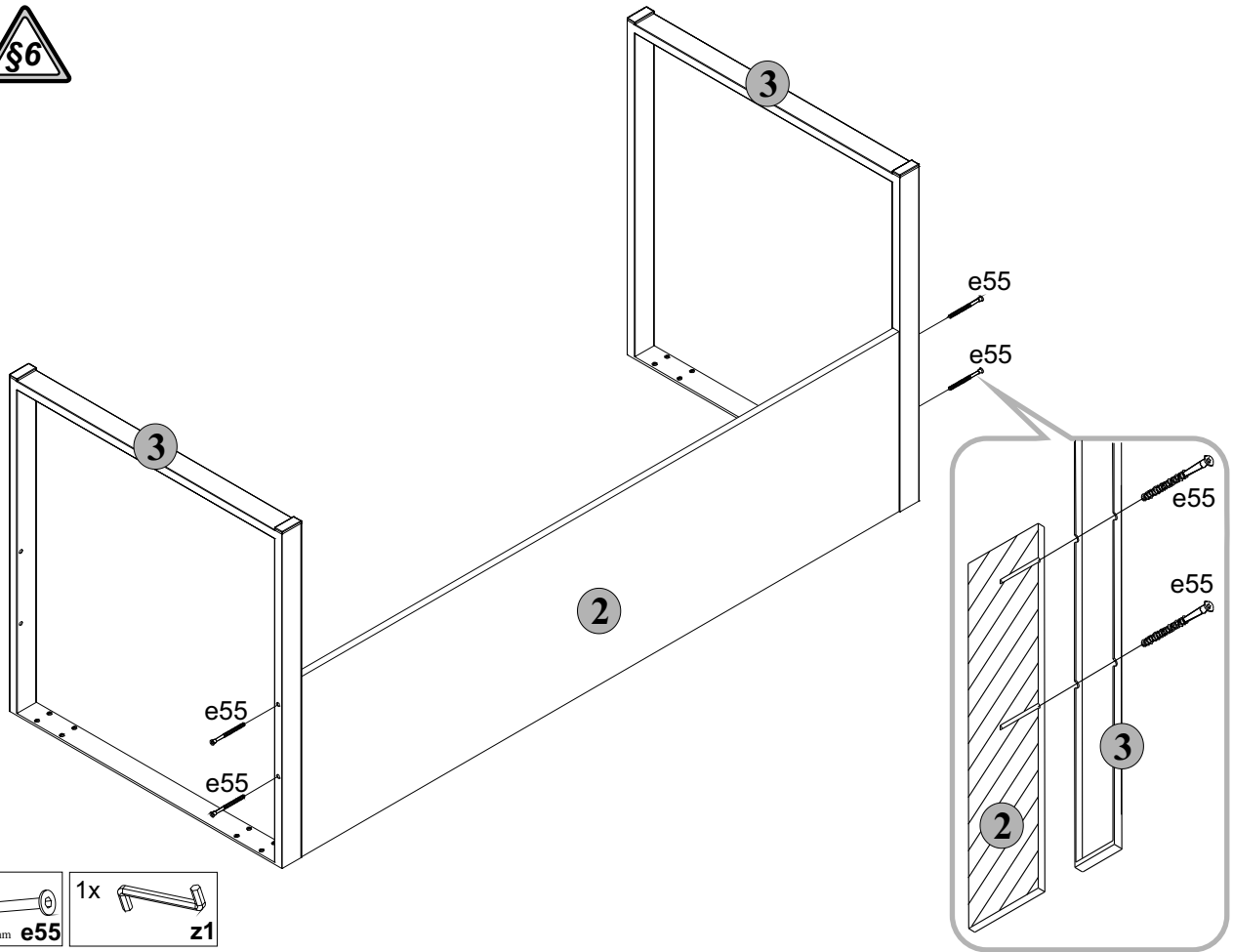
A	B	C	D
1	S363-216	1600x730	1/2
2	S363-523	1470x400	1/2
3	k121_1	700x748	2/2

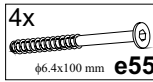
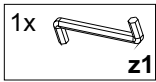


1

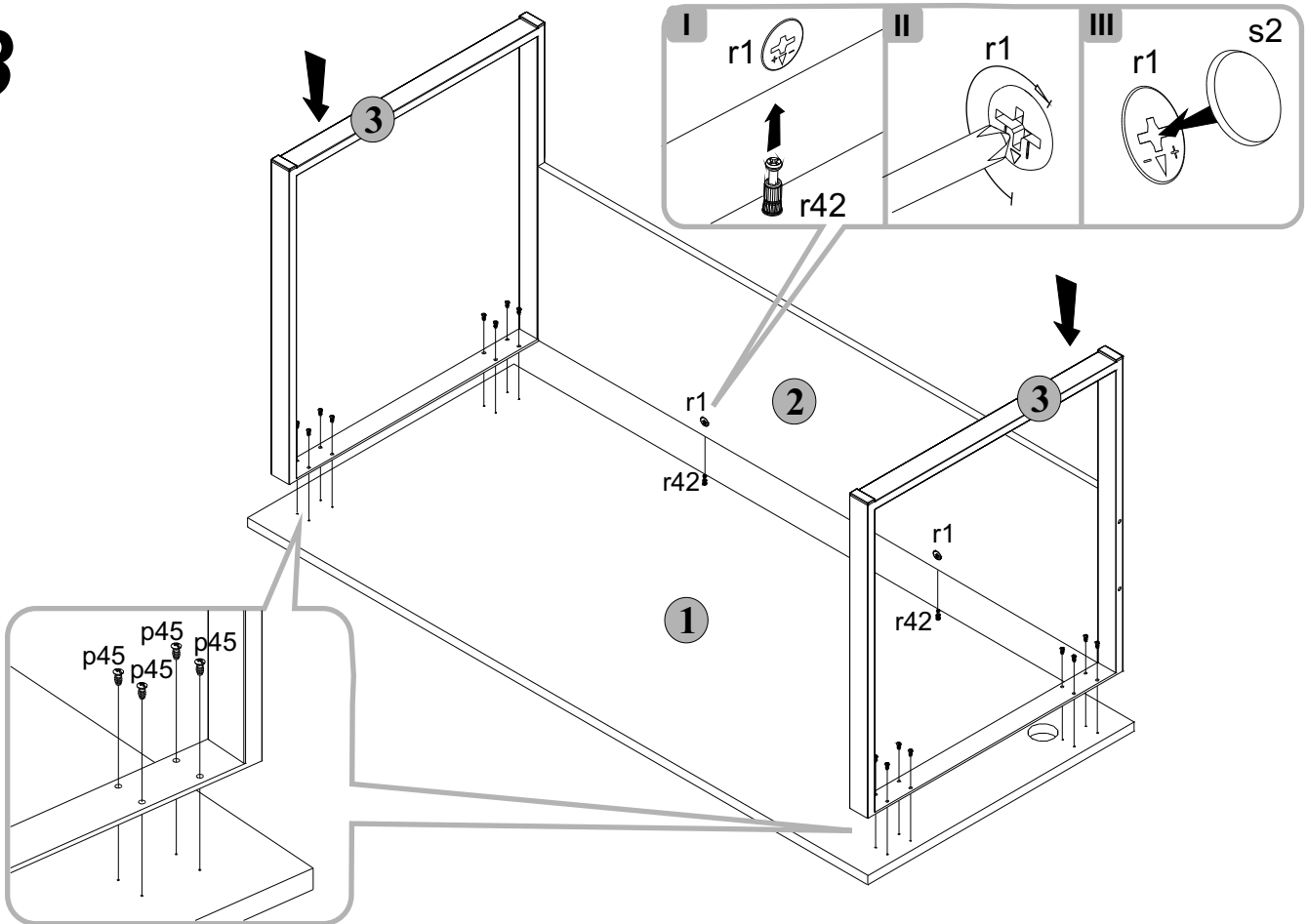


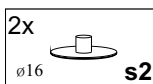
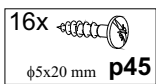
2 



4x  $\phi 6.4 \times 100$ mm e55
1x  z1

3



2x  $\phi 16$ s2
16x  $\phi 5 \times 20$ mm p45

4

