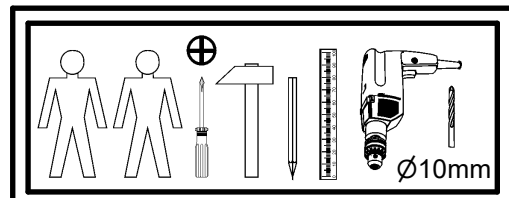
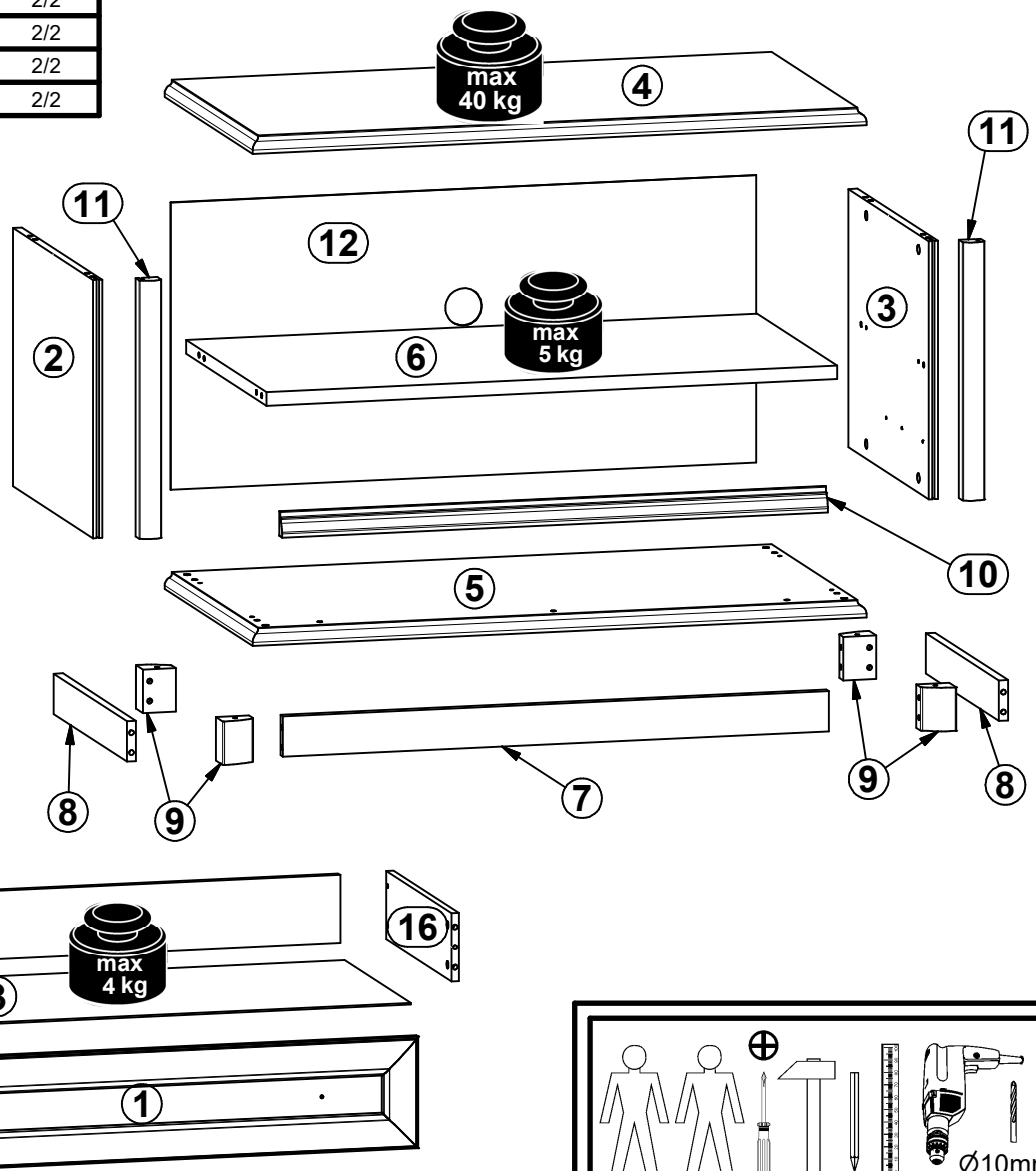
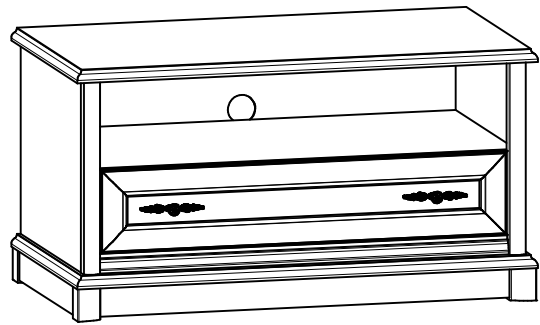
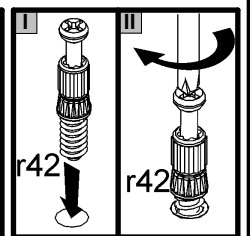
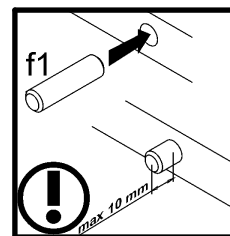
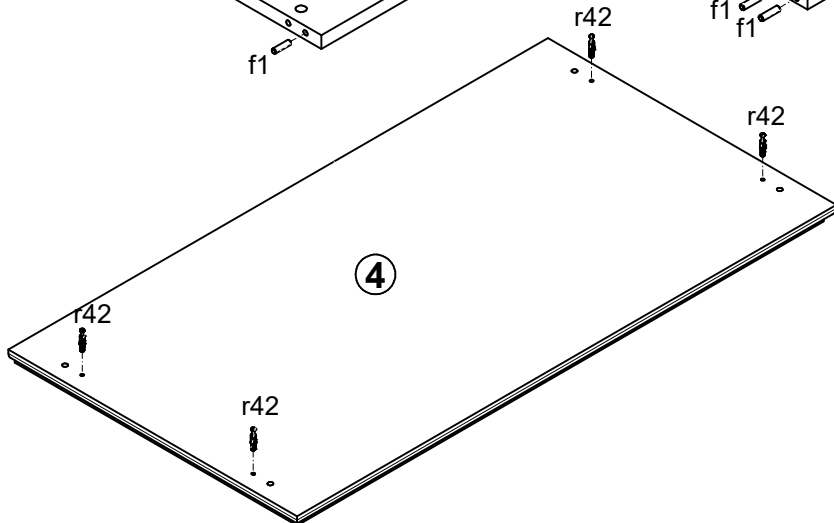
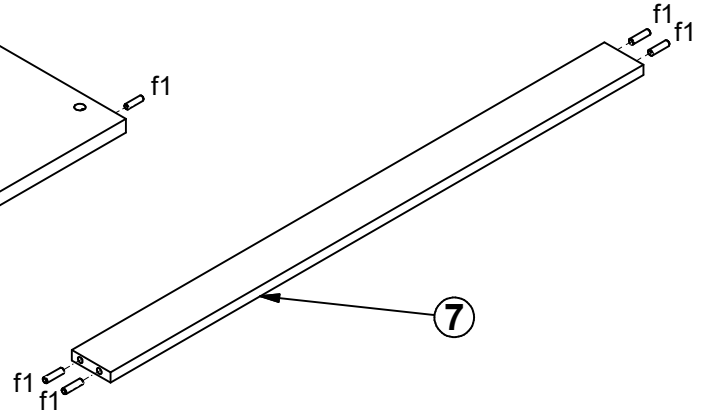
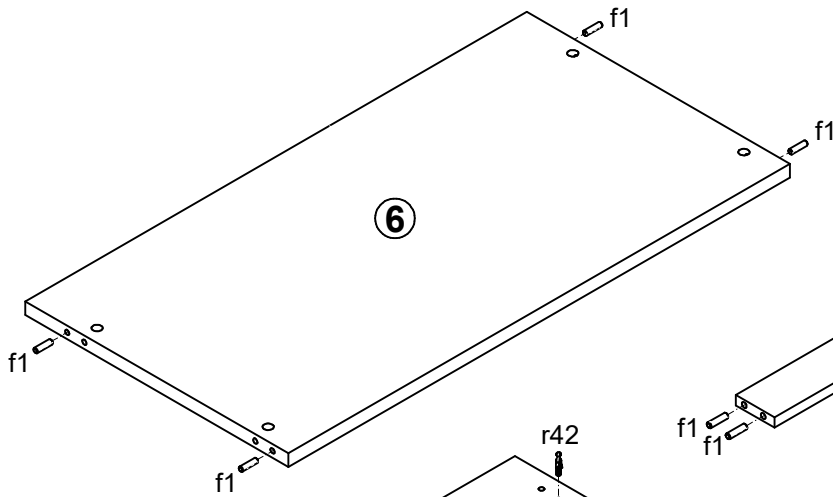
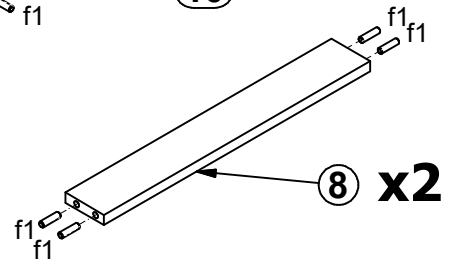
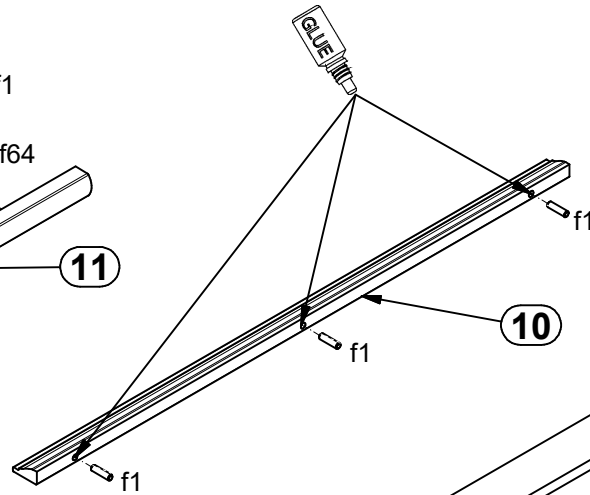
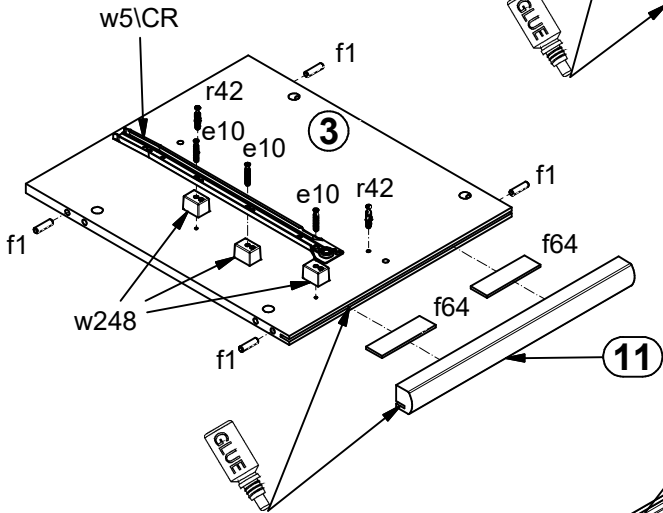
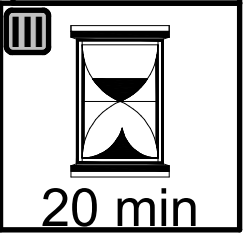
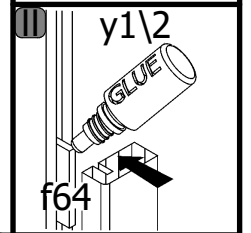
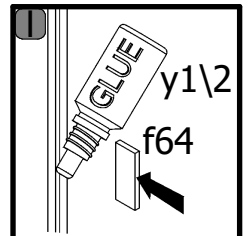
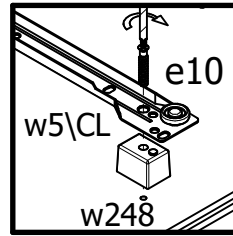
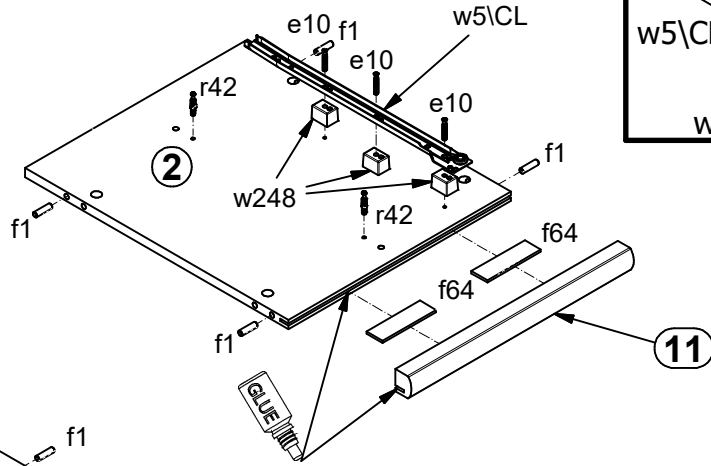
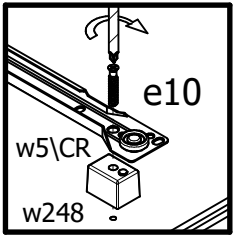


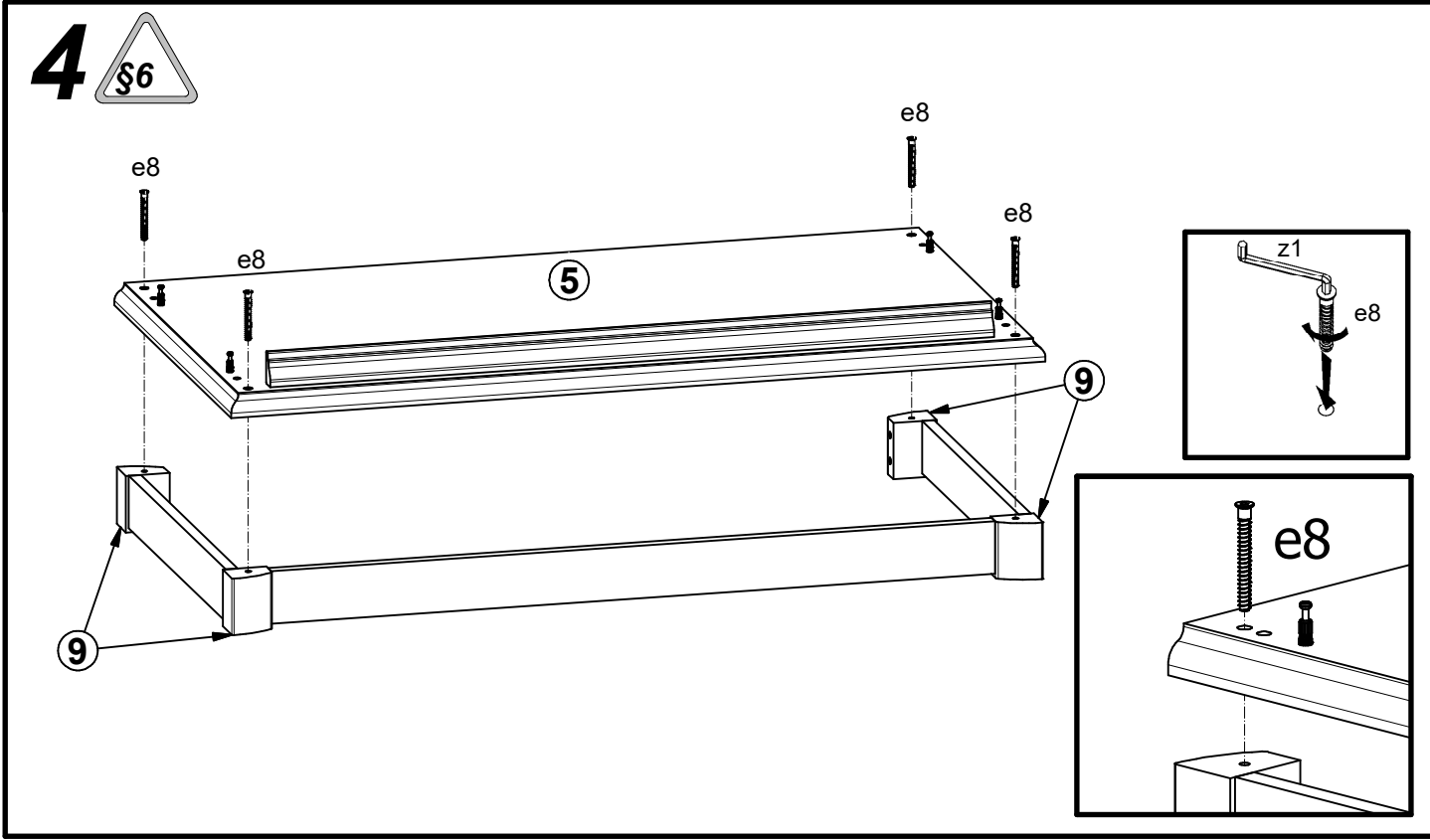
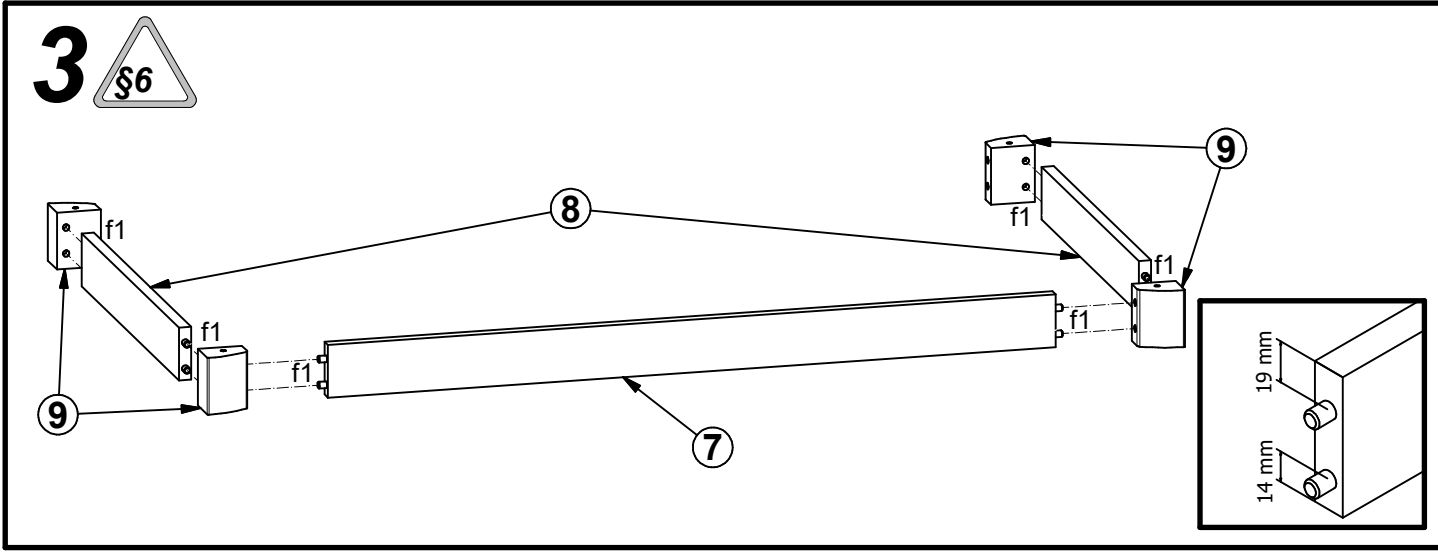
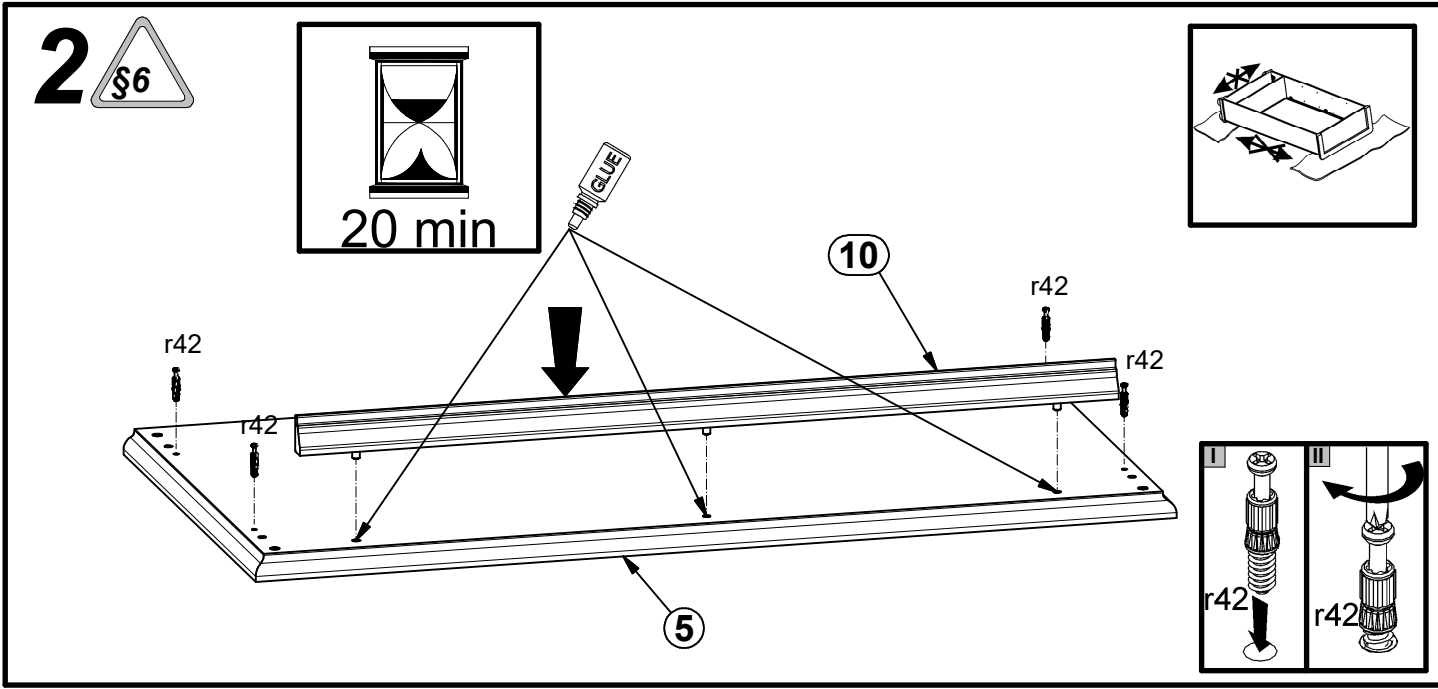
A	B	C	D	
1	S447-0002	892	180	2/2
2	S447-1017	416	493	2/2
3	S447-1018	416	493	2/2
4	S447-2013	1009	540	1/2
5	S447-2014	1009	540	1/2
6	S447-3006	938	492	2/2
7	S447-4003	897	65	2/2
8	S447-4009	448	65	2/2
9	S447-5003	70	54	2/2
10	S447-5007	897	40	2/2
11	S447-5024	416	36	2/2
12	S447-9011	463	962	2/2
13	S447-9012	870	407	2/2
14	ZS7-5031	848	110	2/2
15	ZS7-519	400	110	2/2
16	ZS7-520	400	110	2/2



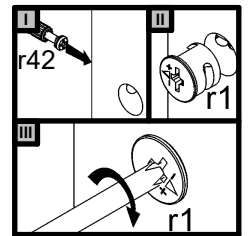
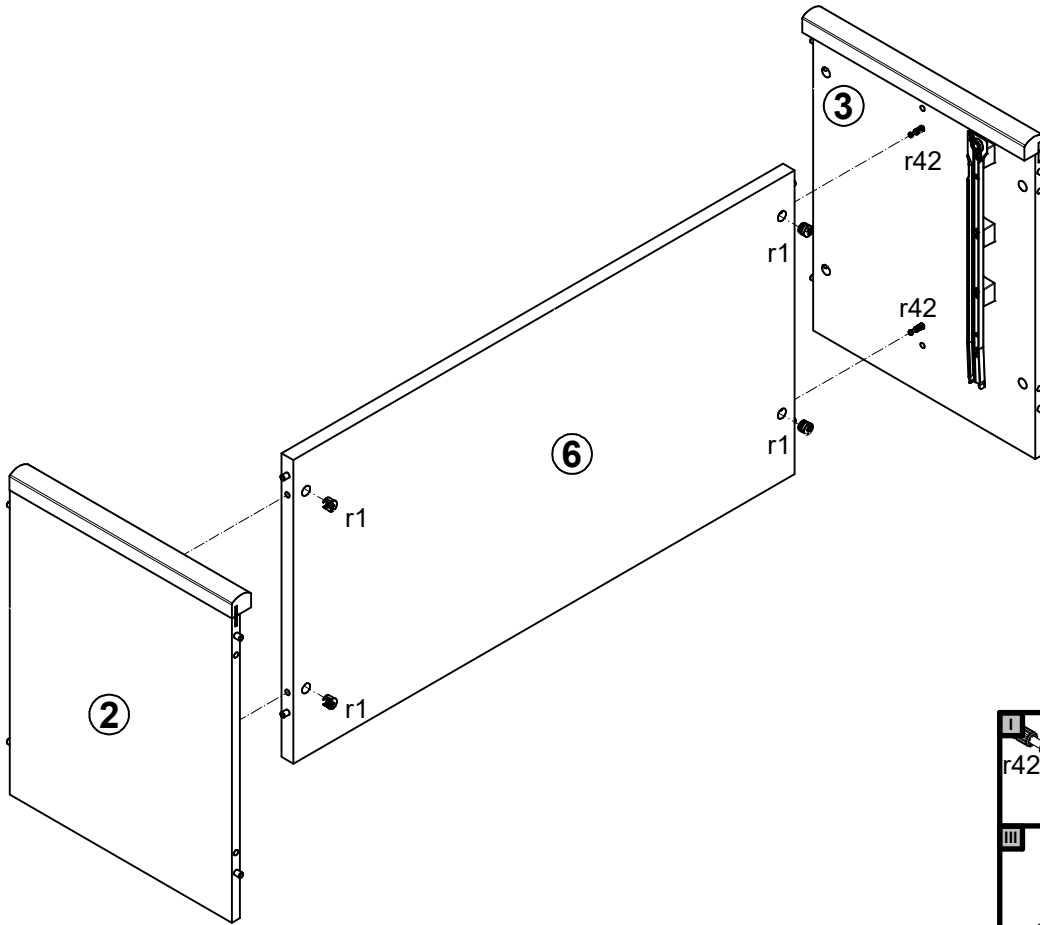
2x c3511	2x c3512	4x Ø7x60 mm e8	6x Ø6x33 mm e10	4x Ø5x9 mm e19	27x Ø8x30 mm f1	2x Ø6x30 mm f9	4x Ø6.5x40 mm f25	4x 100x30x3.8 mm f64	
2x M4x20 mm j1	30x 1.4x20 mm l1	1x Ø3.5x16 mm p25	1x Ø3.5x10 mm p35	6x Ø3.5x16 mm p38	12x Ø15x12 mm #16 r1	4x Ø12x10.5 mm #12 r15	16x 20/11 r42	4x Ø16 s2	
1x 400 mm t33	1x 400 mm w5\CL	1x 400 mm w5\CR	1x 400 mm w5\DL	1x 400 mm w5\DR	6x H=21mm w248	1x 30g y1\2	1x 4 mm z1	1x n26	1x Ø3.5x16 mm p38

1 

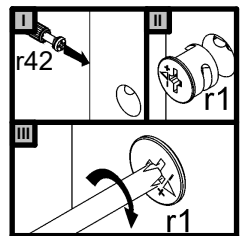
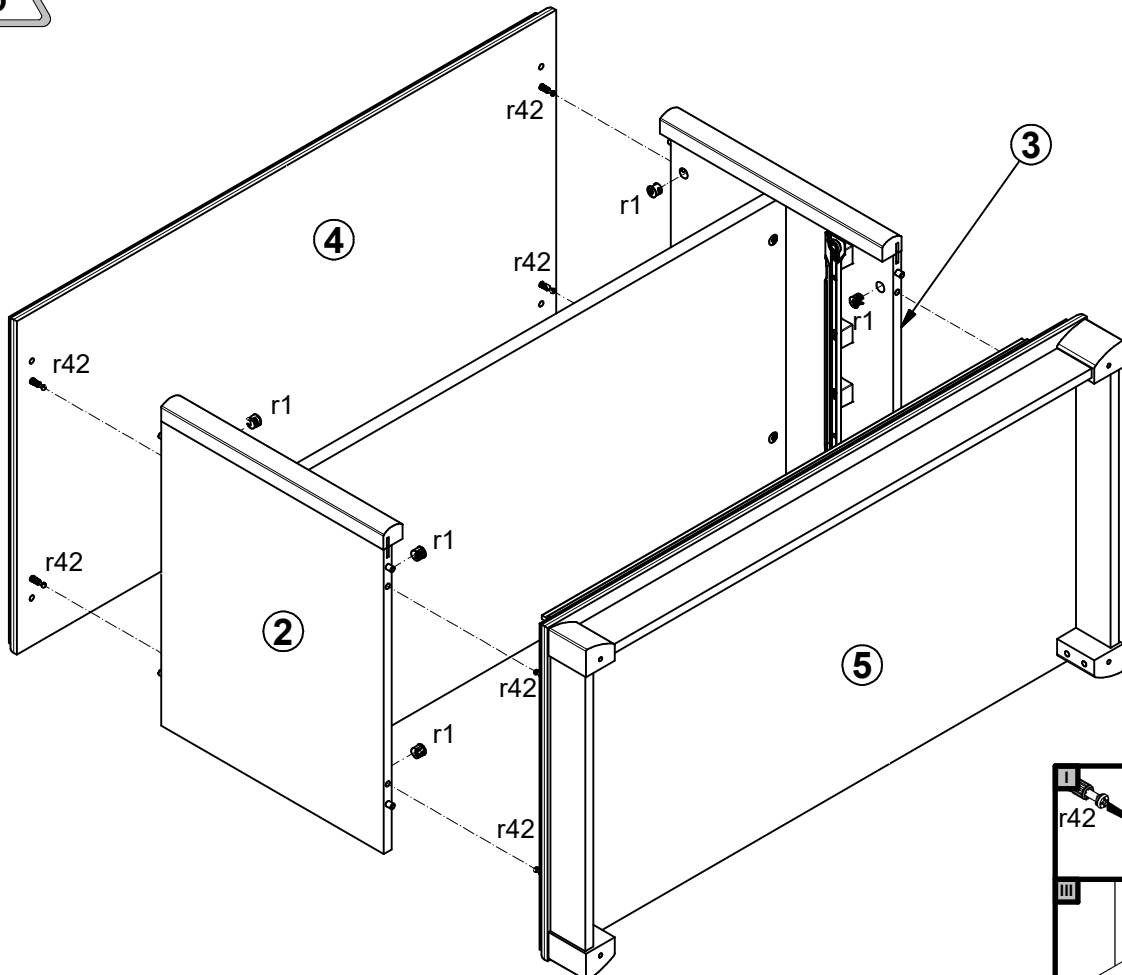


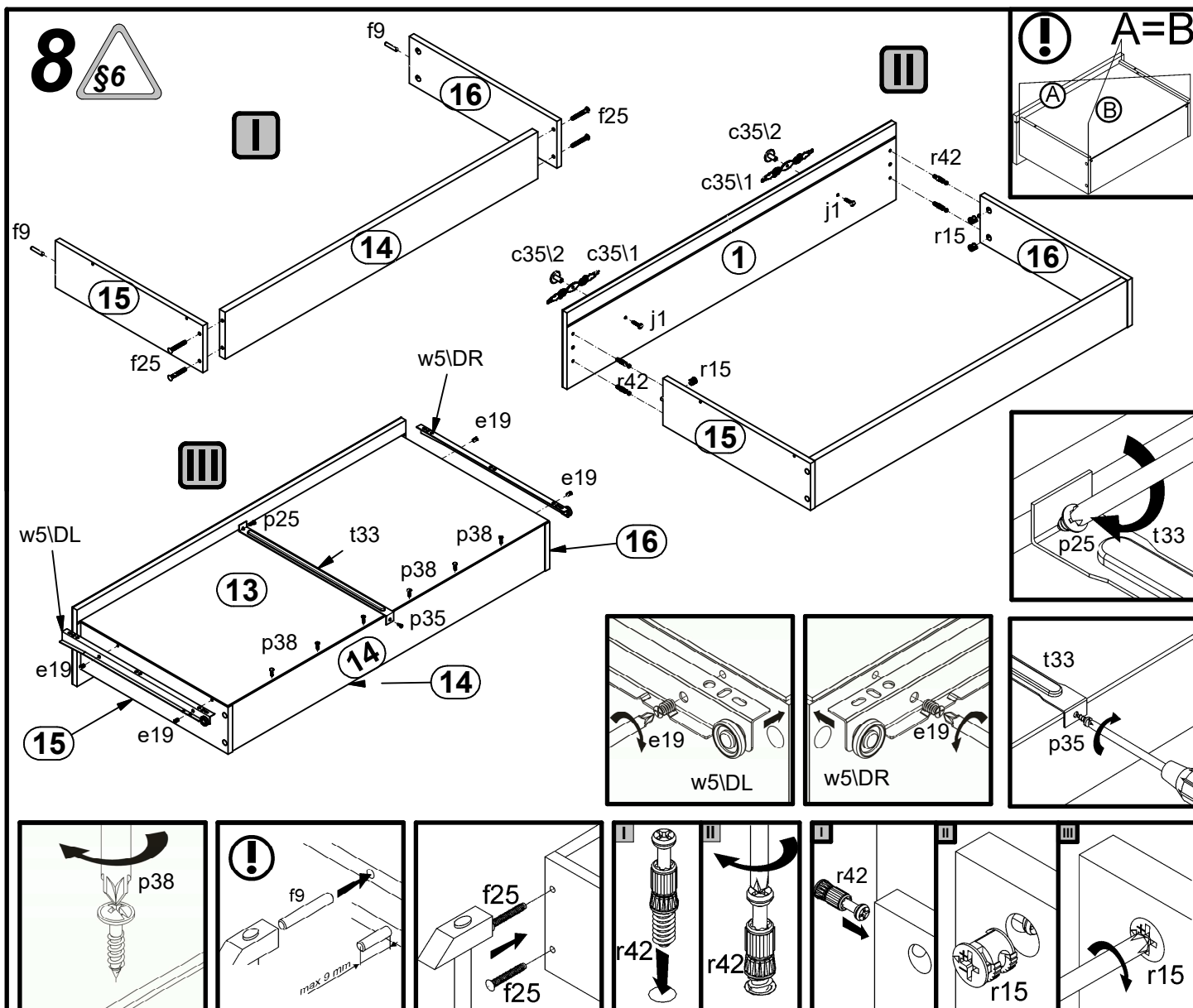
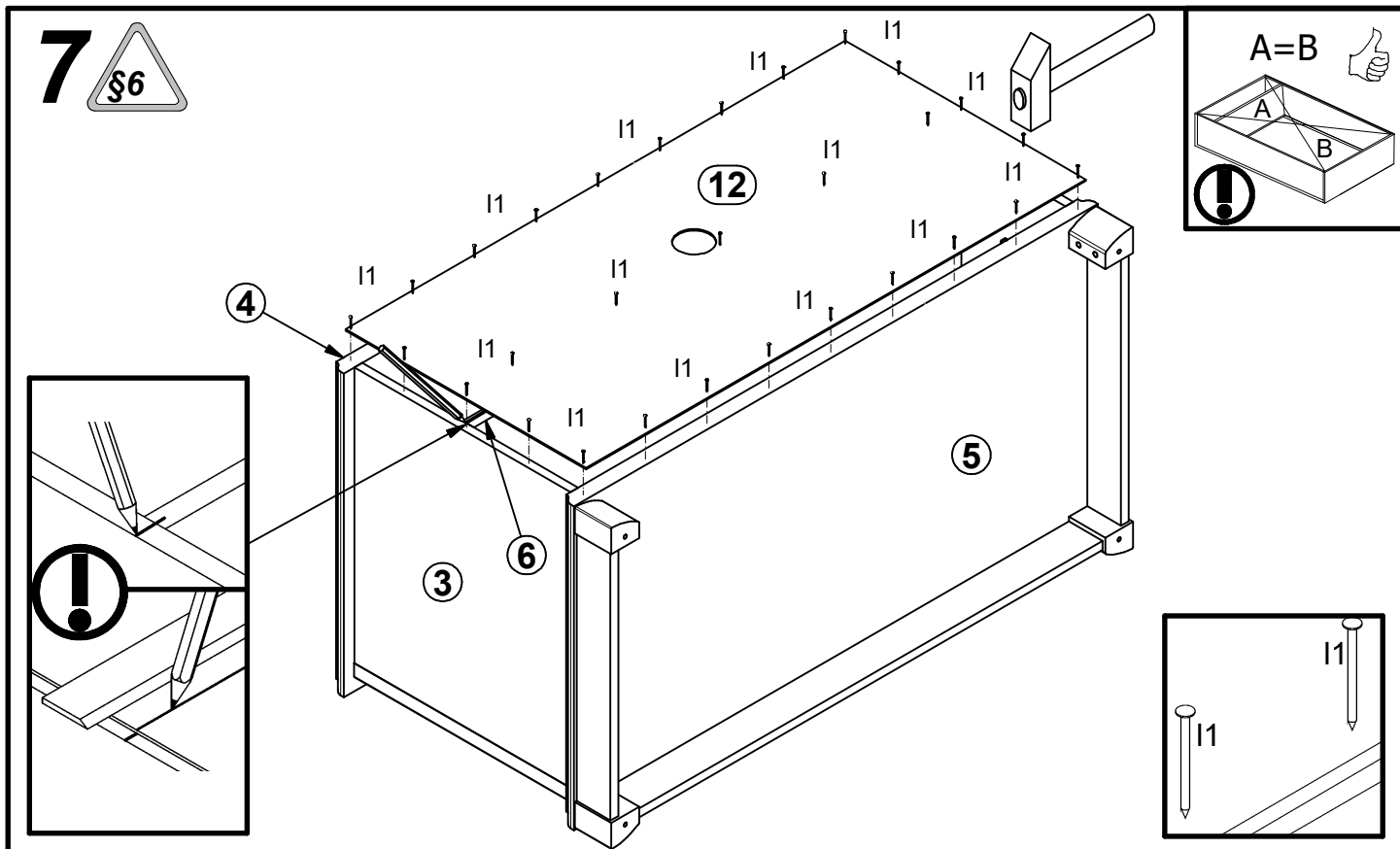


5 §6



6 §6





9 §6

