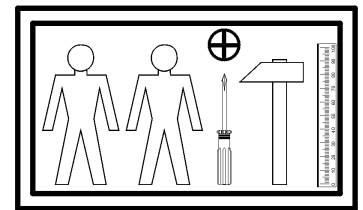
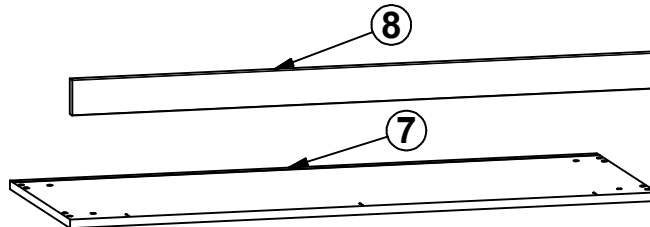
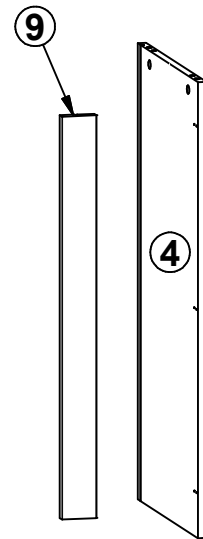
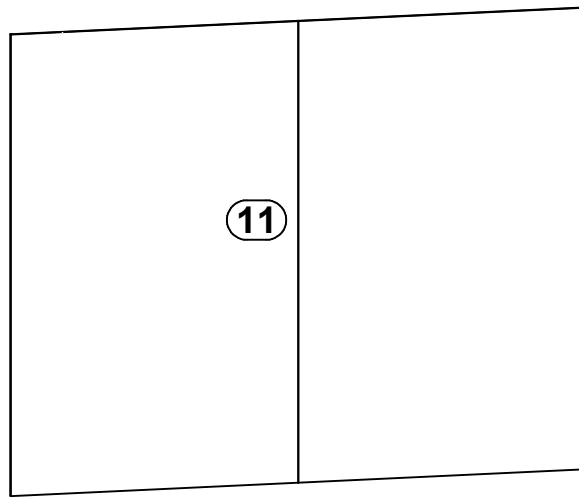
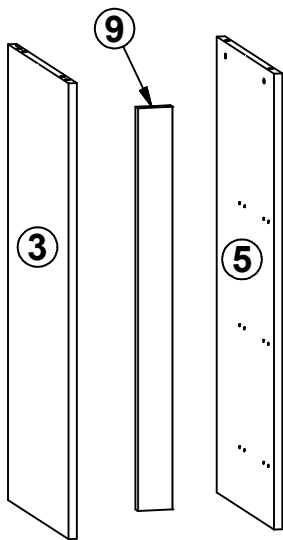
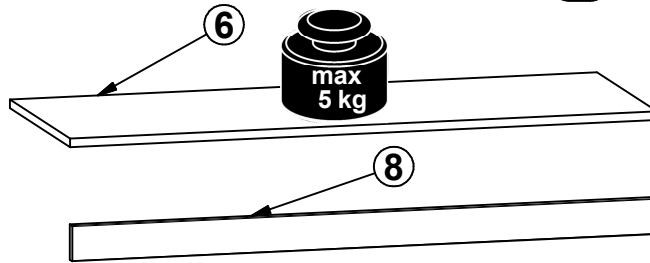
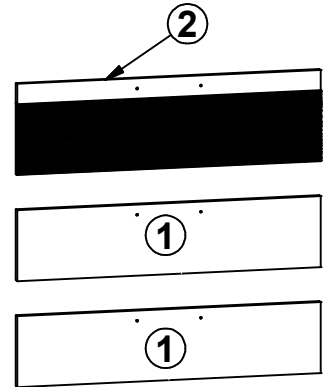
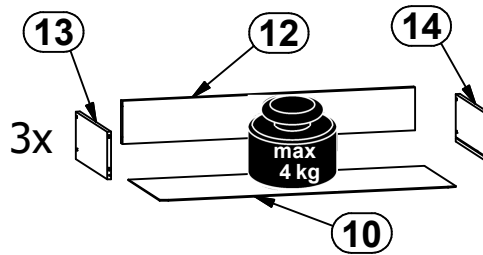
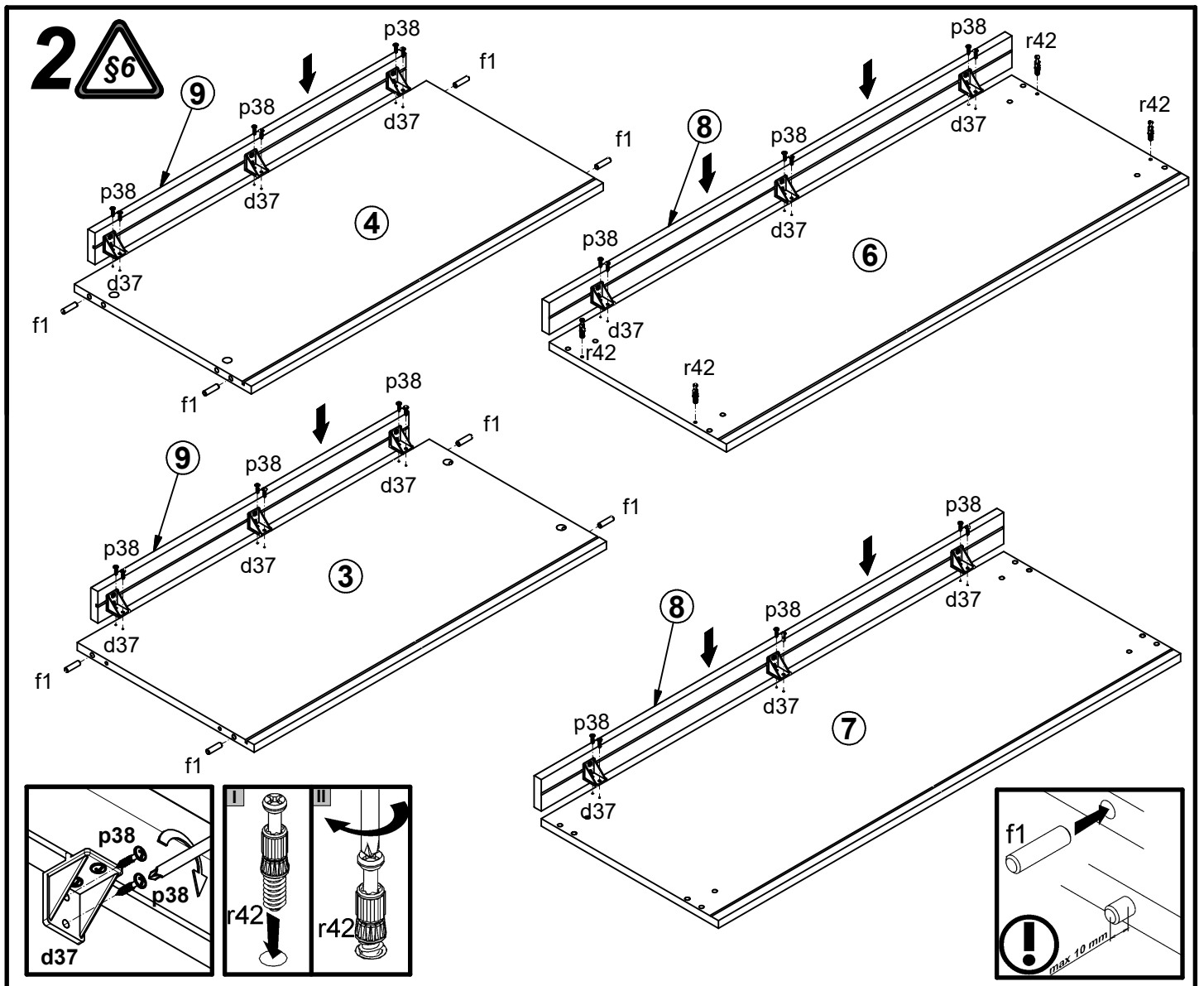
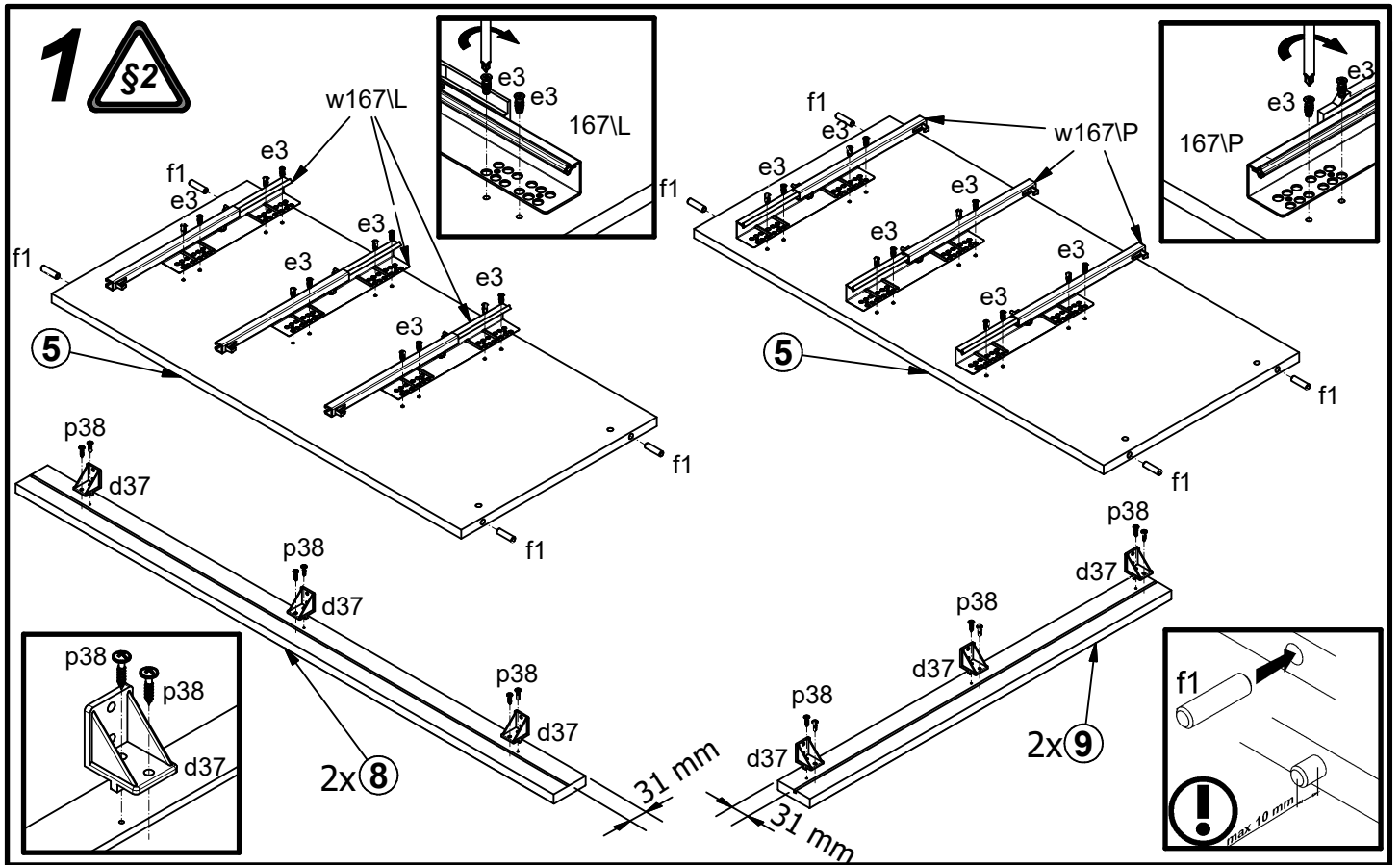


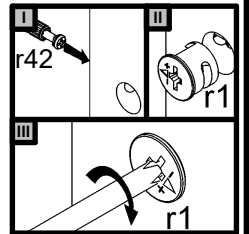
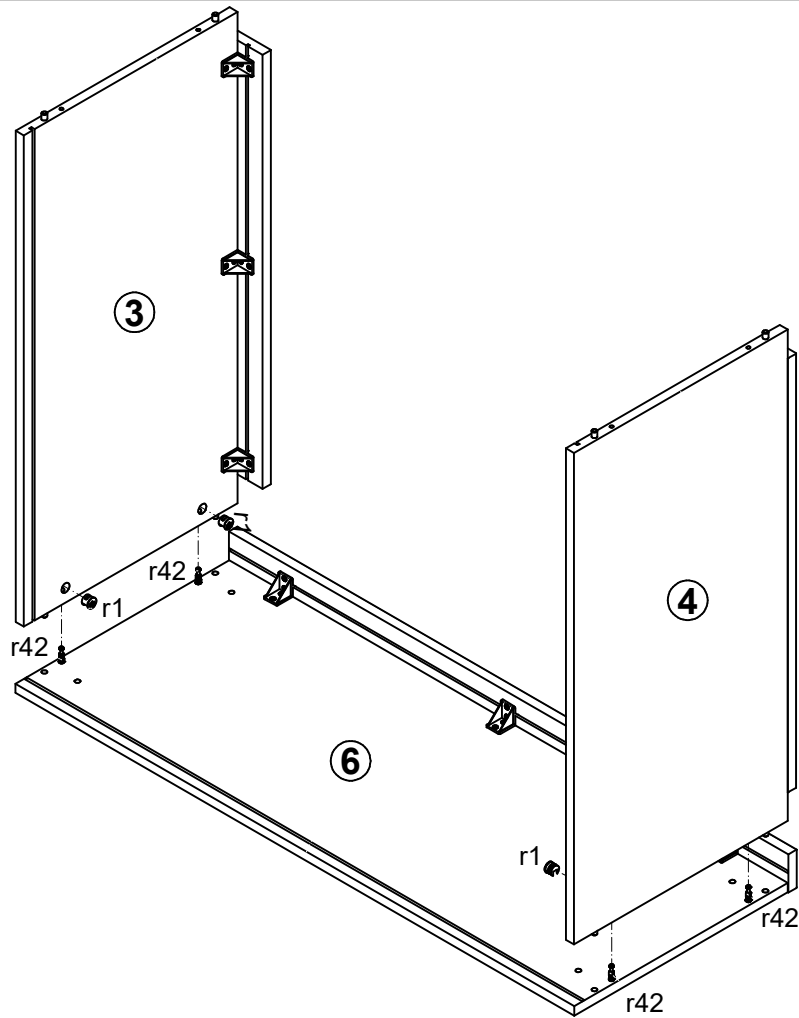
A	B	C	D	
1	S428-0001	915	210	2/2
2	S428-0002	915	270	2/2
3	S428-1001	796	400	1/2
4	S428-1002	796	400	1/2
5	S428-1003	796	380	1/2
6	S428-2001	1045	400	2/2
7	S428-2002	1045	400	2/2
8	S428-5001	1046	62	2/2
9	S428-5002	703	62	2/2
10	S428-9001	892	357	2/2
11	S428-9301	806	1024	1/2
12	ZQ6-5029	882	127	2/2
13	ZQ6-511	350	140	1/2
14	ZQ6-512	350	140	1/2



3x 192 mm c306	12x d37	4x Ø7x50 mm e1	24x Ø6x13 mm e3	16x Ø8x30 mm f1	12x Ø6.5x40 mm f25	6x M4x22 mm j30	4x 60x60/25 mm k55	8x l2
3x Ø3.5x16 mm p25	3x Ø3.5x10 mm p35	60x Ø3.5x16 mm p38	6x Ø2.9x16 mm p55	8x Ø4x35 mm p6	4x Ø15x12 mm #16 r1	12x Ø12x10.5 mm #12 r15	16x 20/11 r42	3x 350 mm t35
3x 350mm w167L	3x 350mm w167P	1x 4 mm z1						
						1x n26	1x Ø3.5x16 mm p38	



3 §6

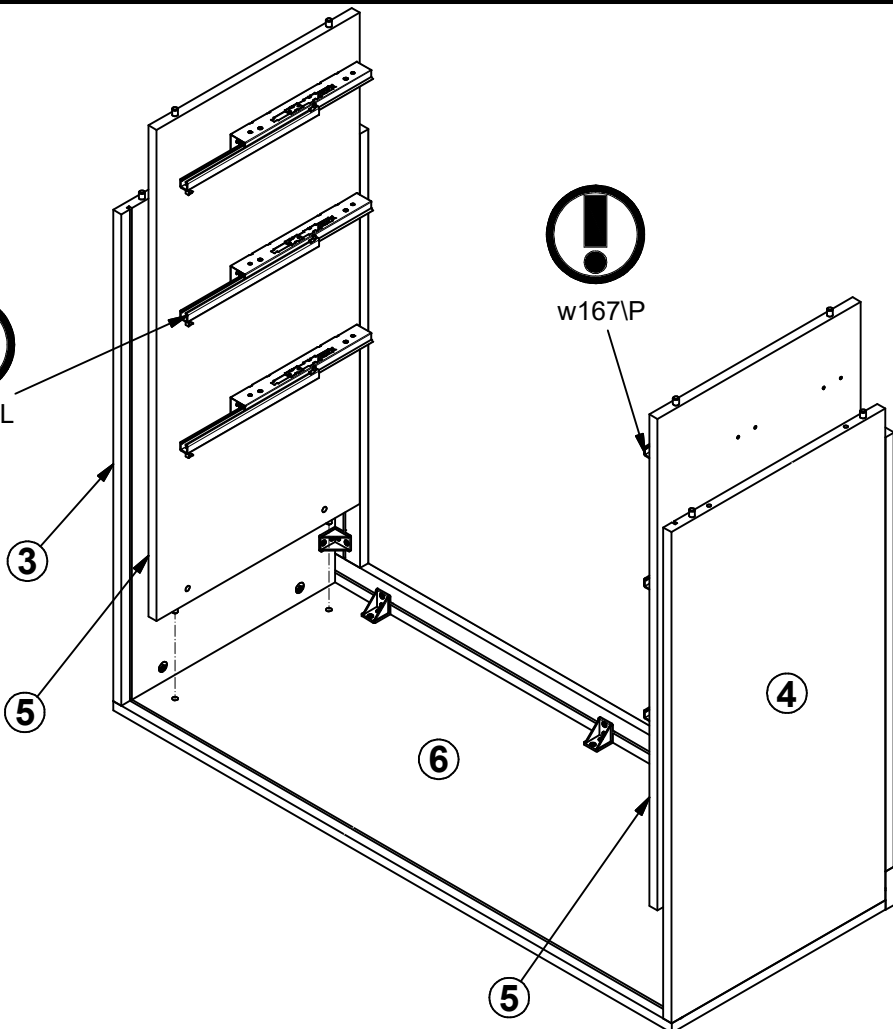


4 §6

! w167/L

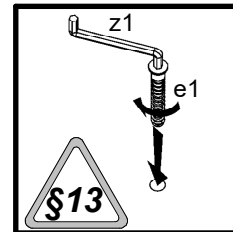
!

w167/P



5 §6

I



3

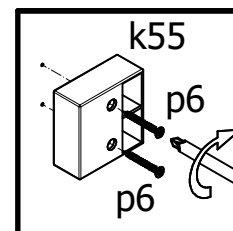
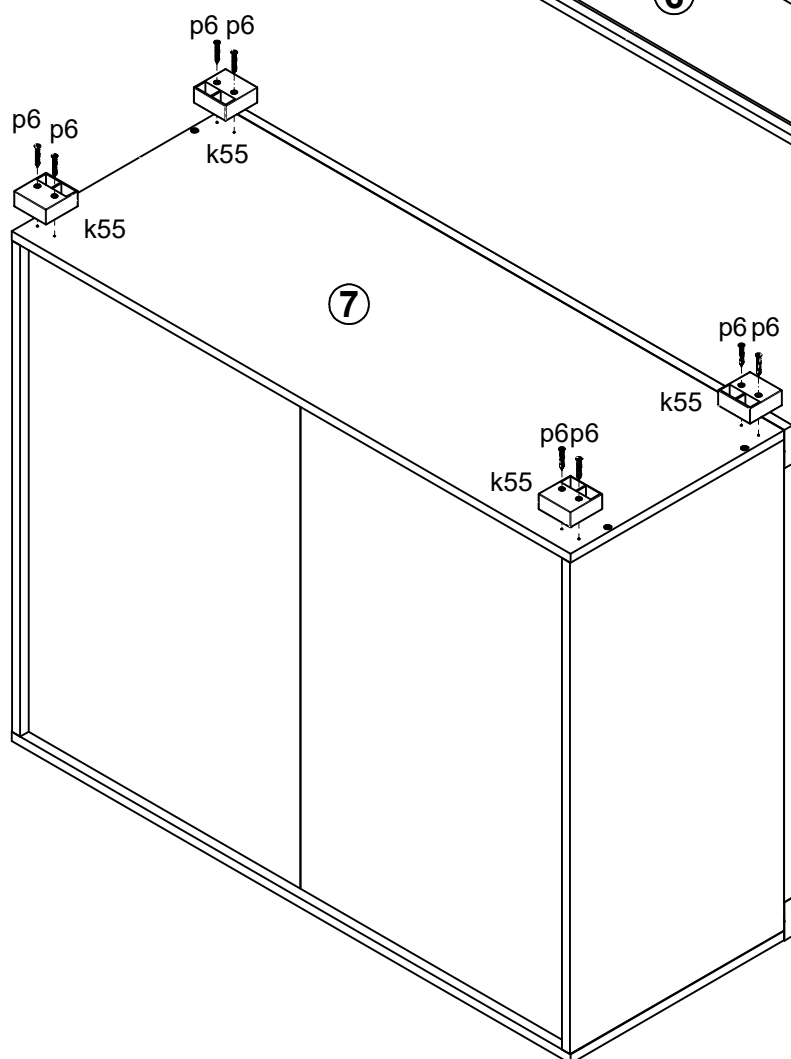
11



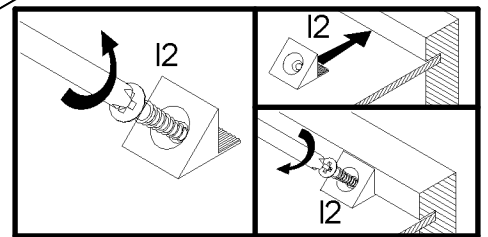
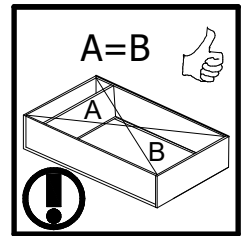
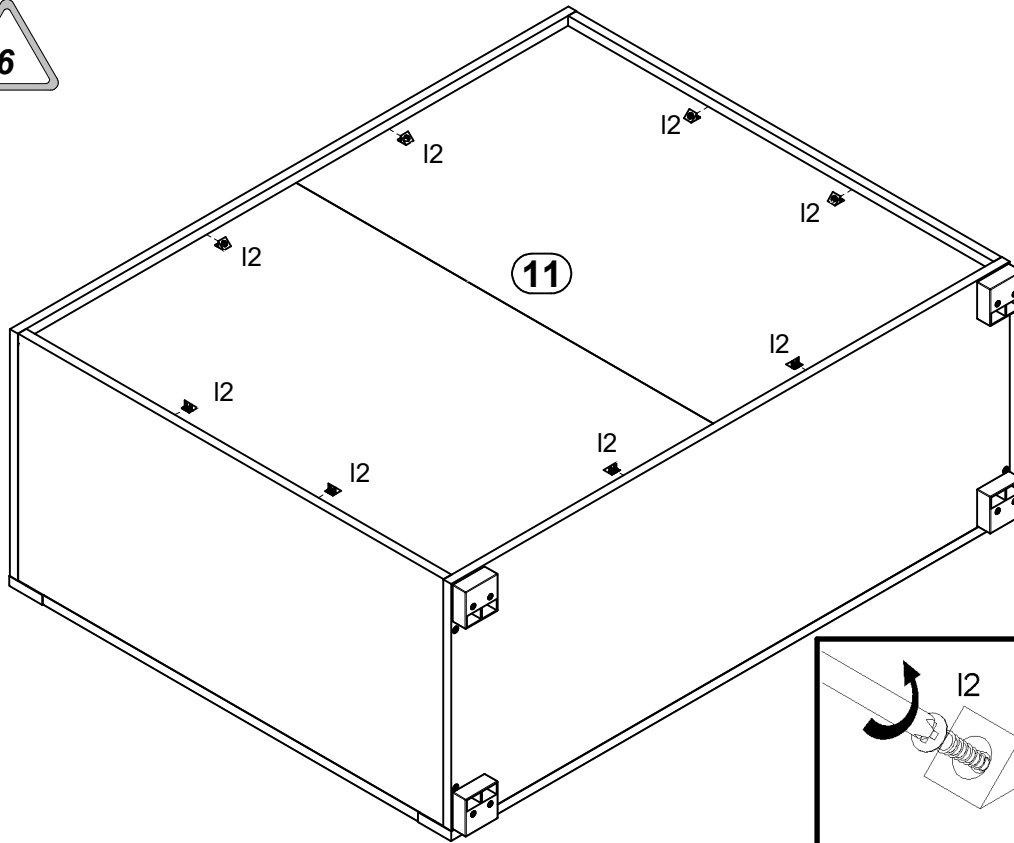
4

6

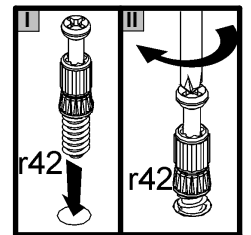
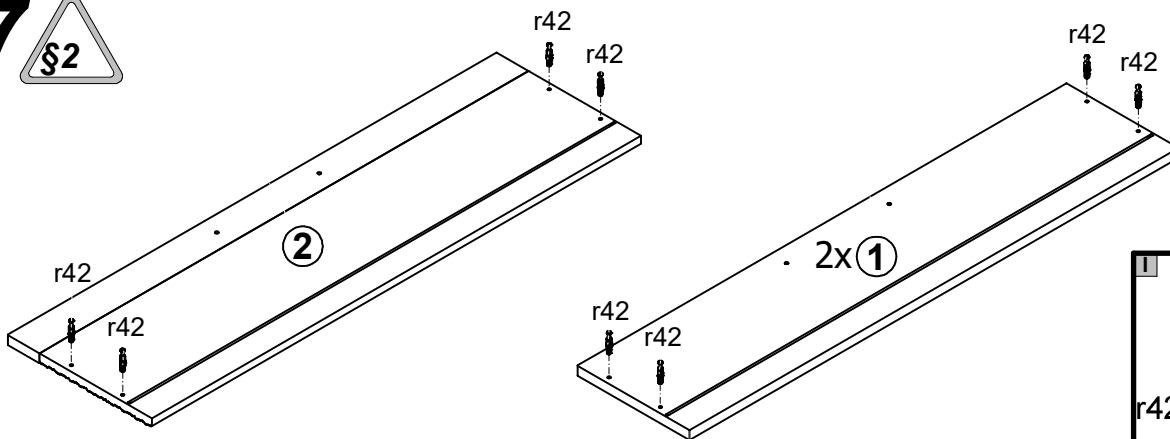
II



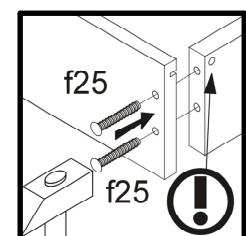
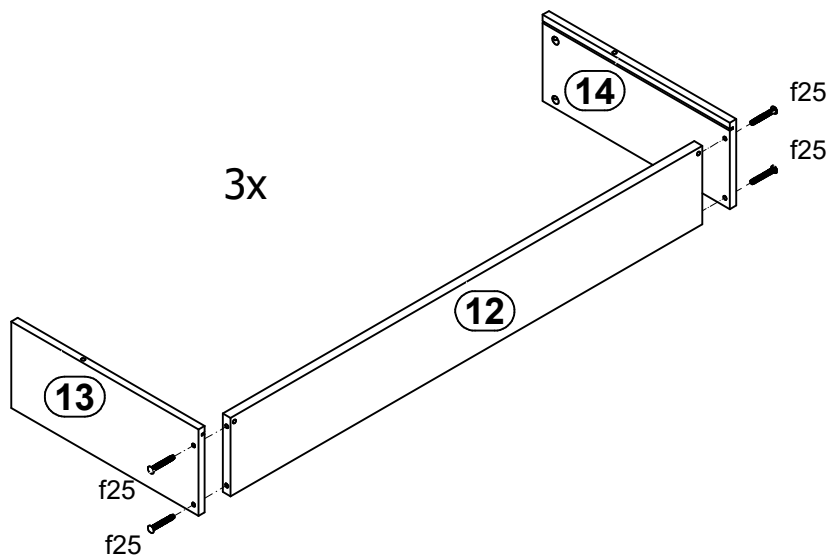
6 §6



7 §2

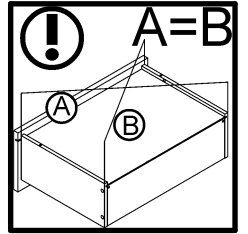
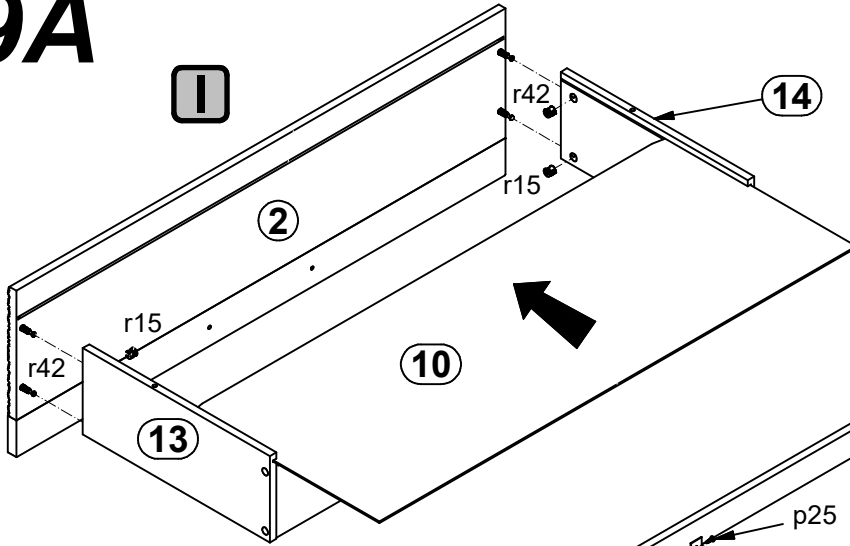


8 §6

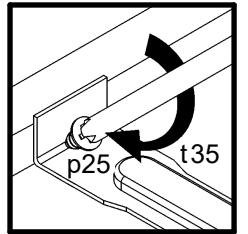
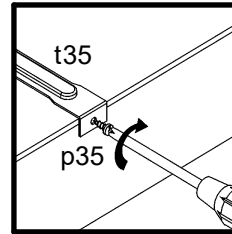
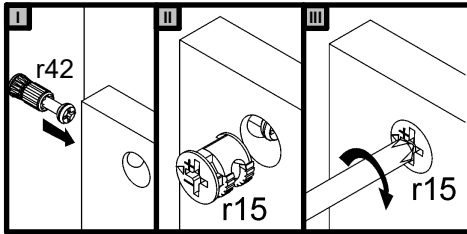
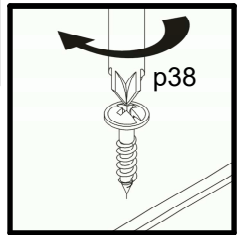
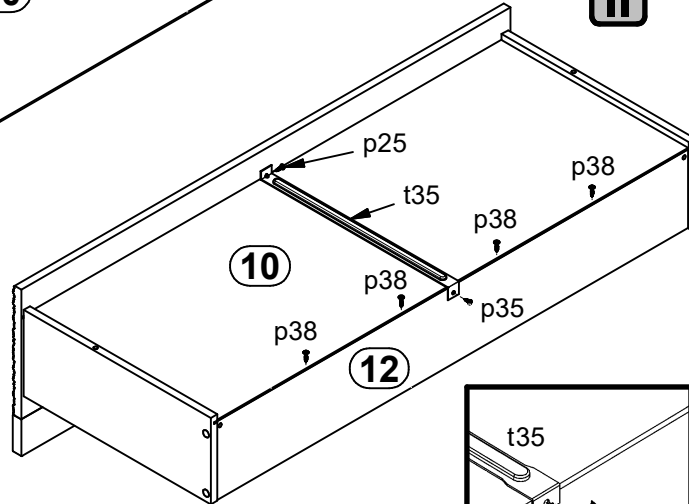


9A

I



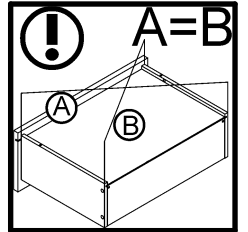
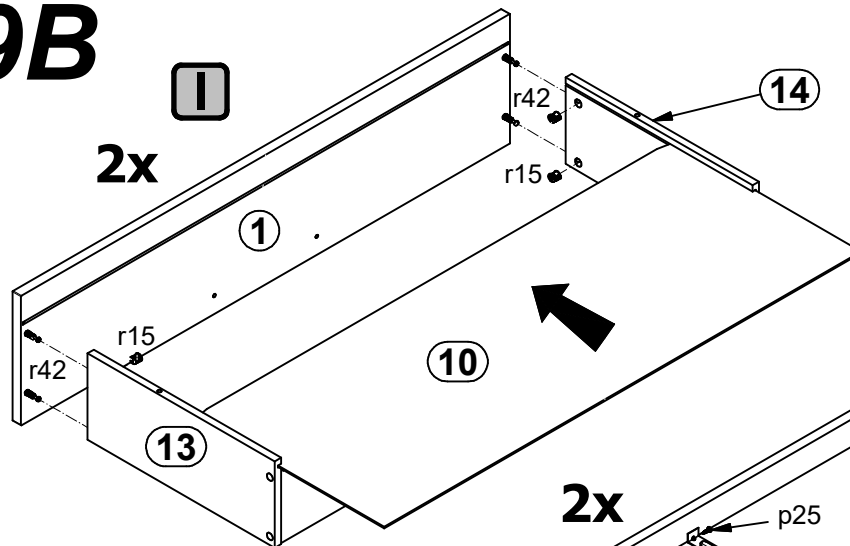
II



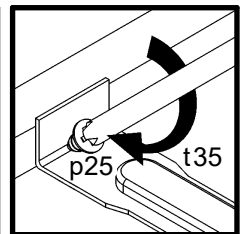
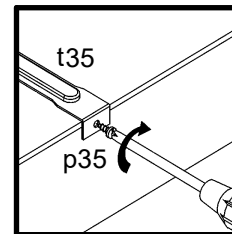
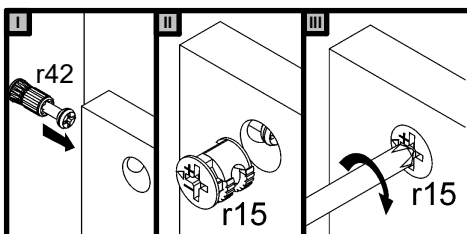
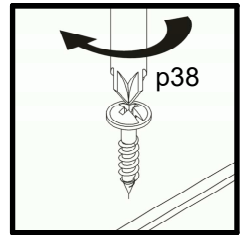
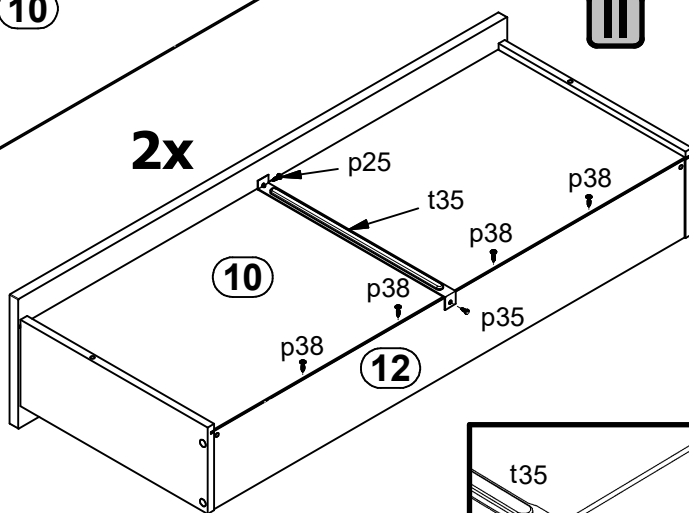
9B

I

2x



II



10 

