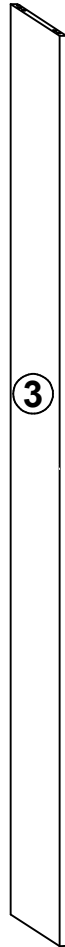
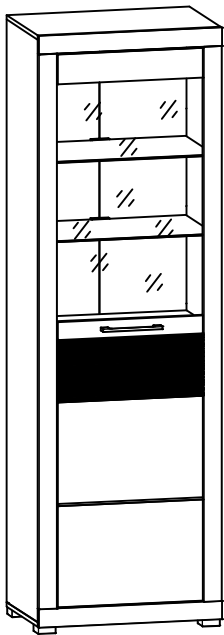
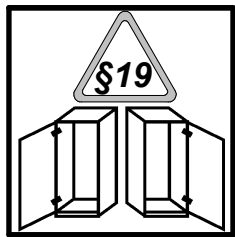
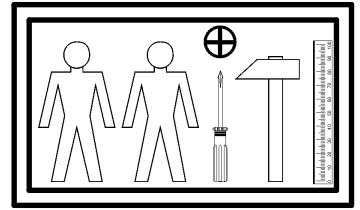
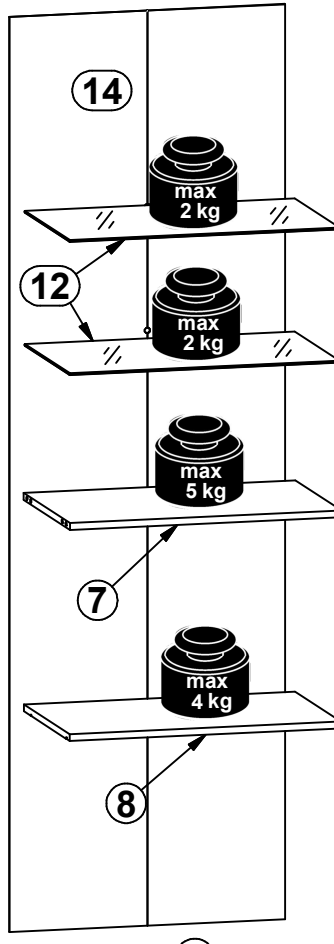


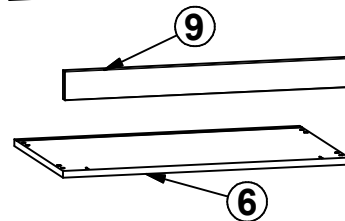
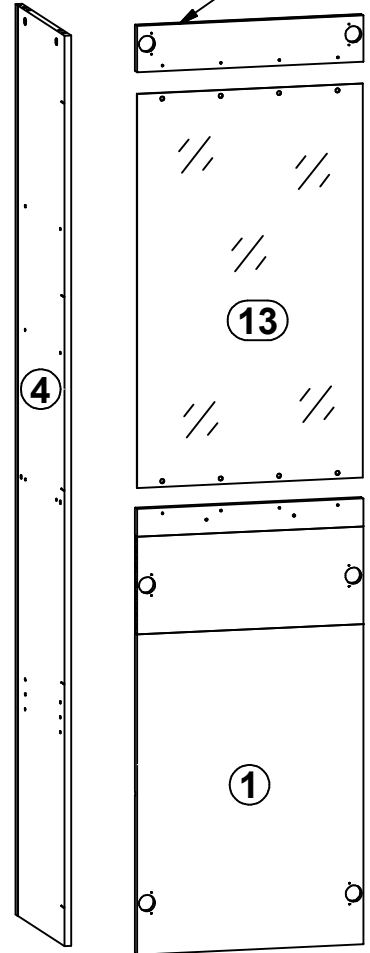
A	B	C	D
1	S428-0011	496	958
2	S428-0012	496	100
3	S428-1013	1956	400
4	S428-1014	1956	400
5	S428-2009	626	400
6	S428-2010	626	400
7	S428-3004	595	380
8	S428-3005	594	375
9	S428-5009	627	62
10	S428-5010	1863	62
11	S428-5011	1863	62
12	S428-5012	593	370
13	S428-5013	846	494
14	S428-9304	1966	604



10

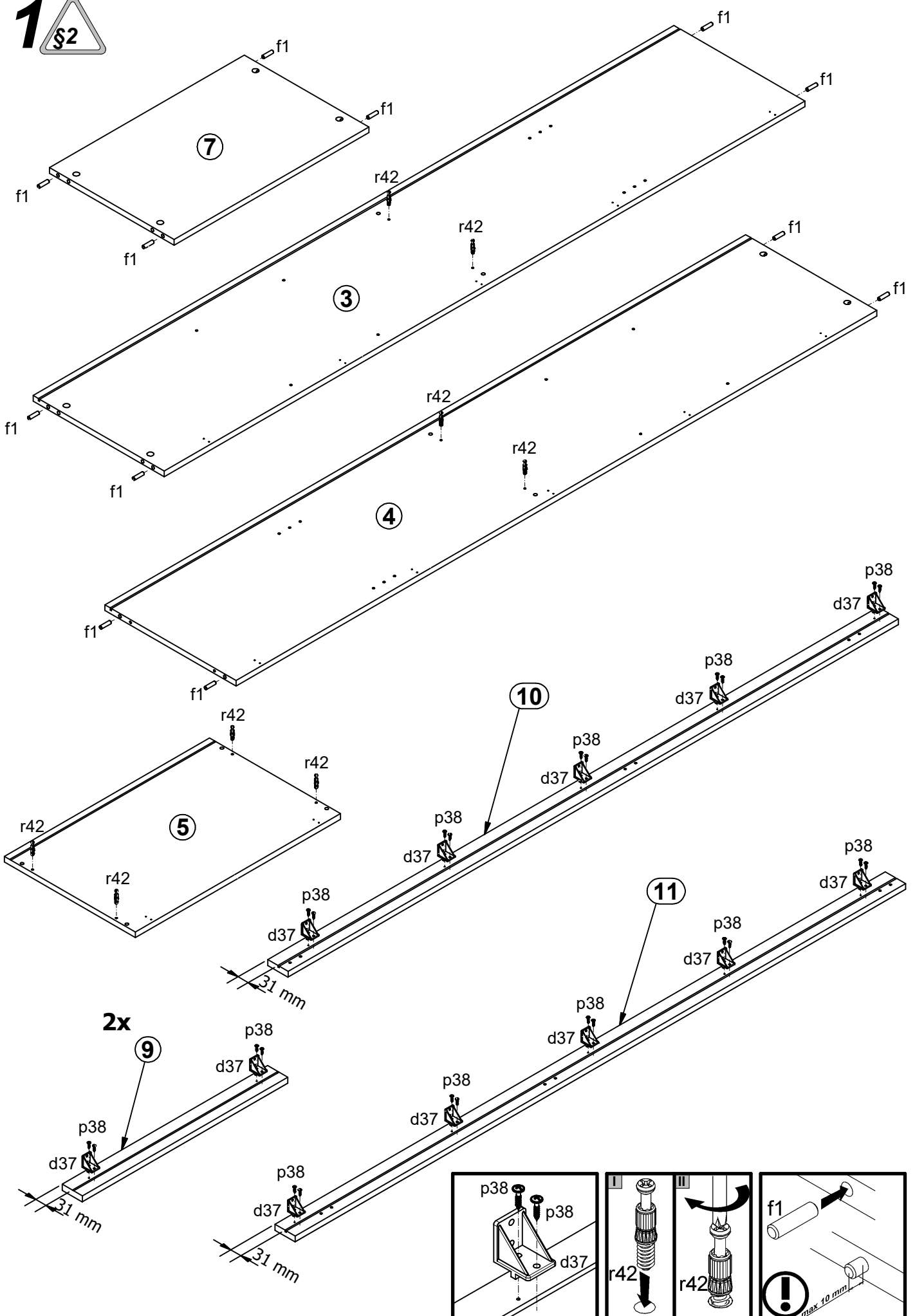


11

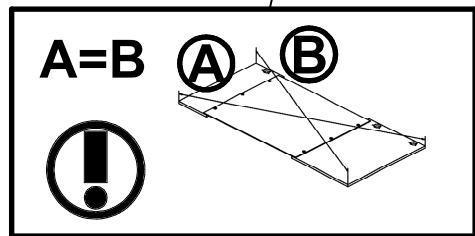
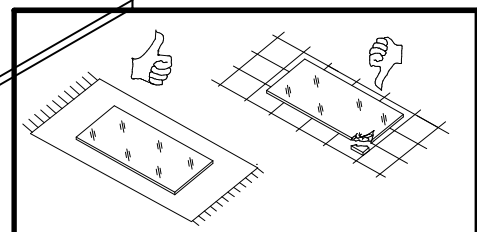
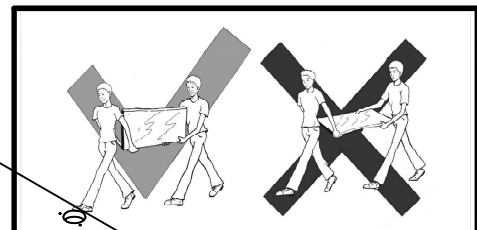
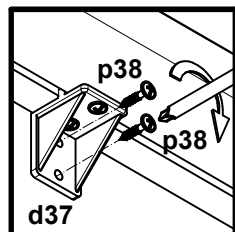
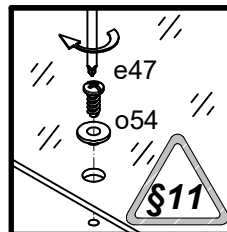
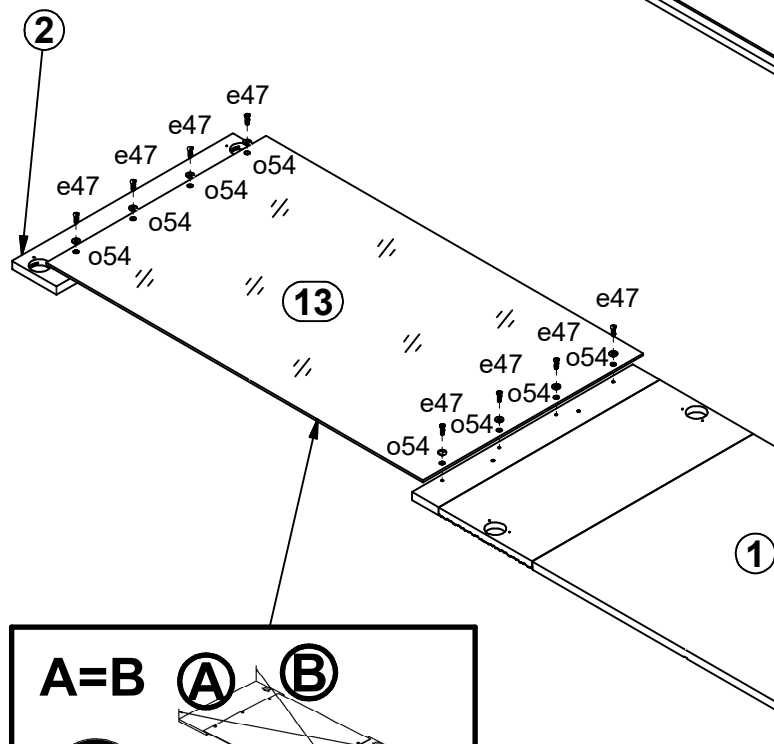
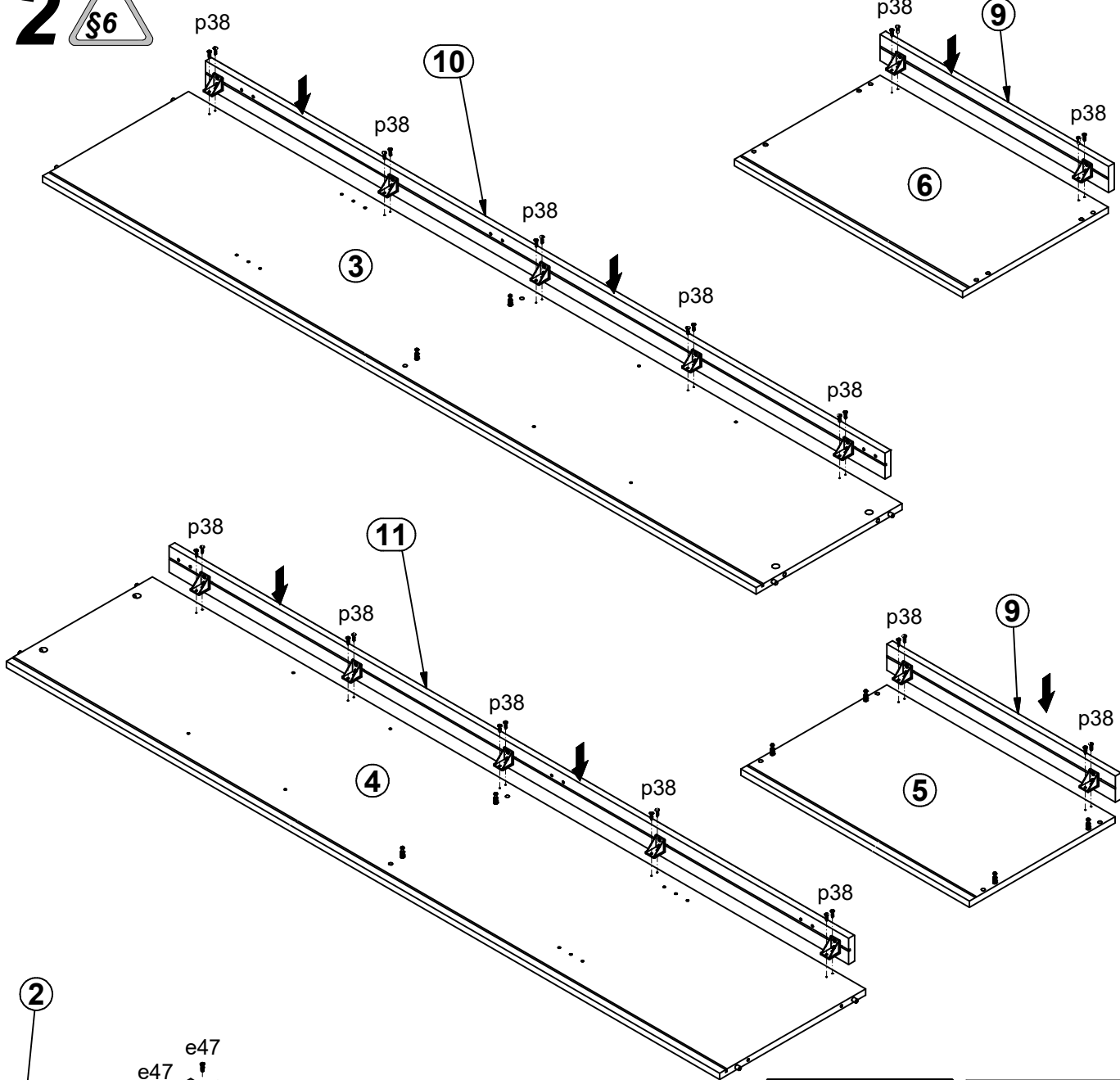


3x a132	1x a133	3x b43	1x 192 mm c306	4x ø5x17 mm d1	8x ø5x17 mm d3	14x d37	4x ø7x50 mm e1	6x ø6,3x13 mm e2
8x ø5x16 mm e47	12x ø8x30 mm f1	2x M4x22 mm j30	4x 60x60/25 mm k55	12x l2	2x o43/8	8x ø5,3/ø6,3x4,8 mm o54	1x 3P 6W o70	8x ø4x35 mm p6
56x ø3,5x16 mm p38	6x ø3,5x15 mm p51	8x ø15x12 mm #16 r1	8x 20/11 r42	4x ø 20mm s68	3x ø35x62x40x10 s71	1x 4 mm z1	1x n26	1x ø3,5x16 mm p38

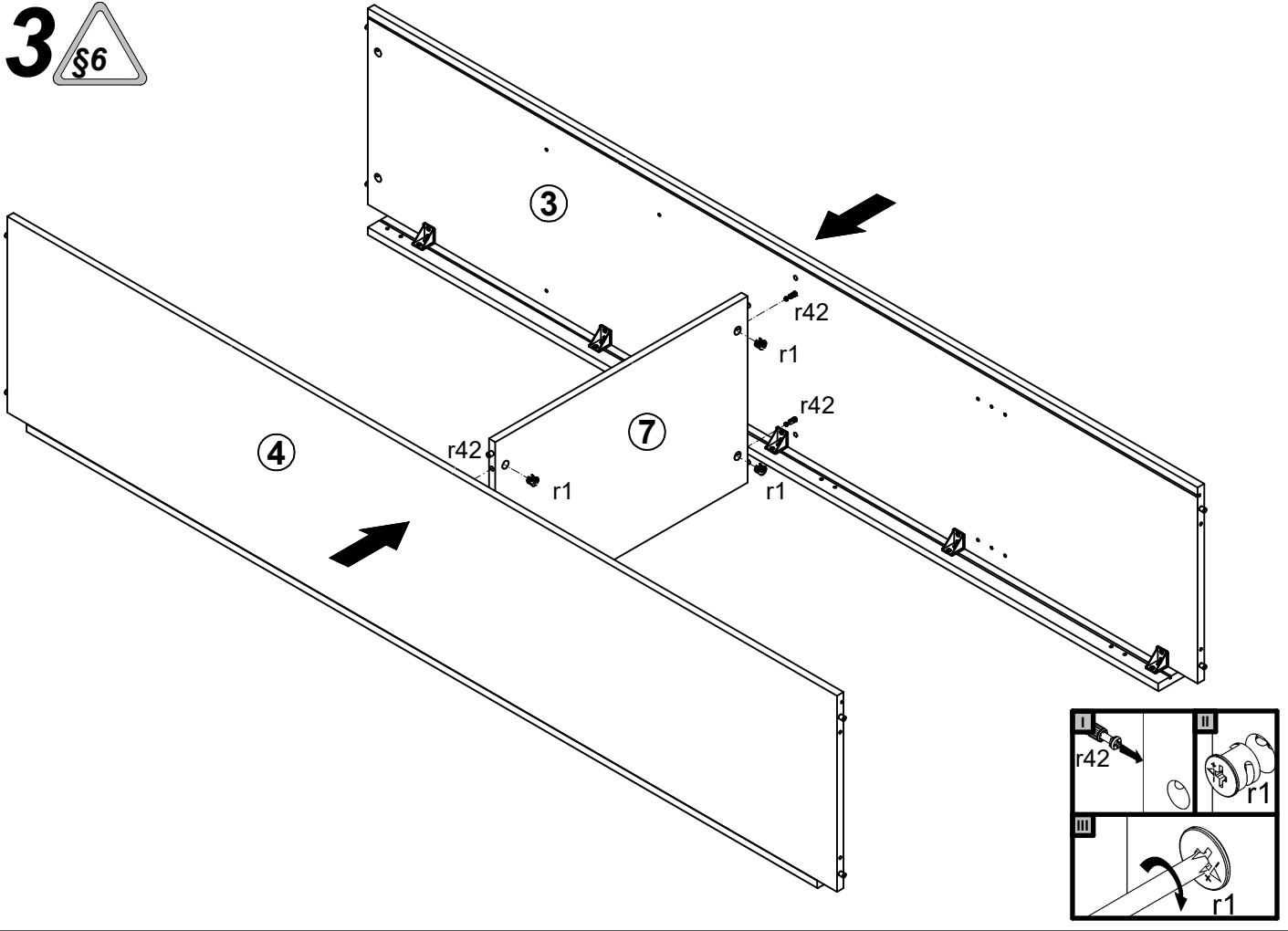
1 



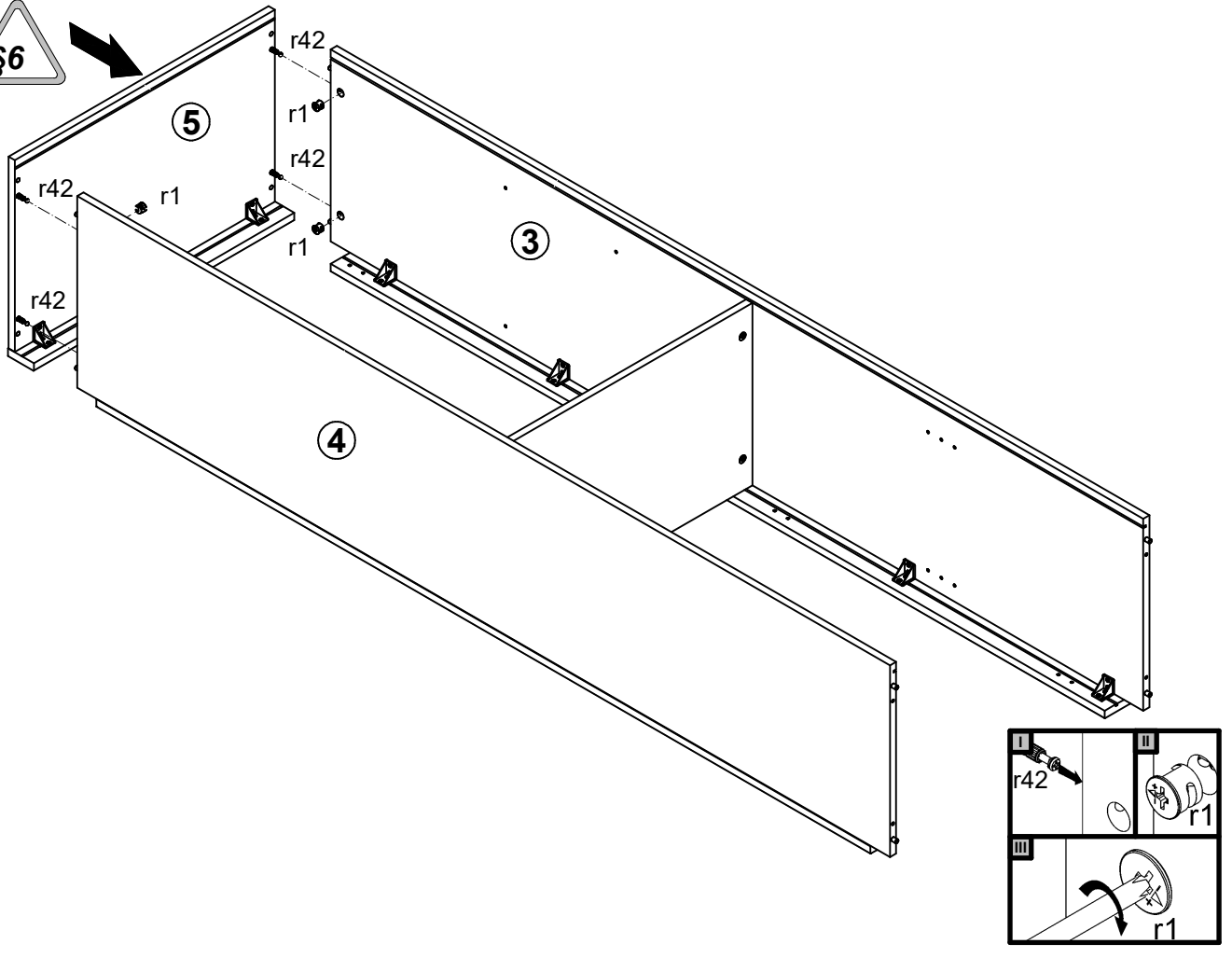
2



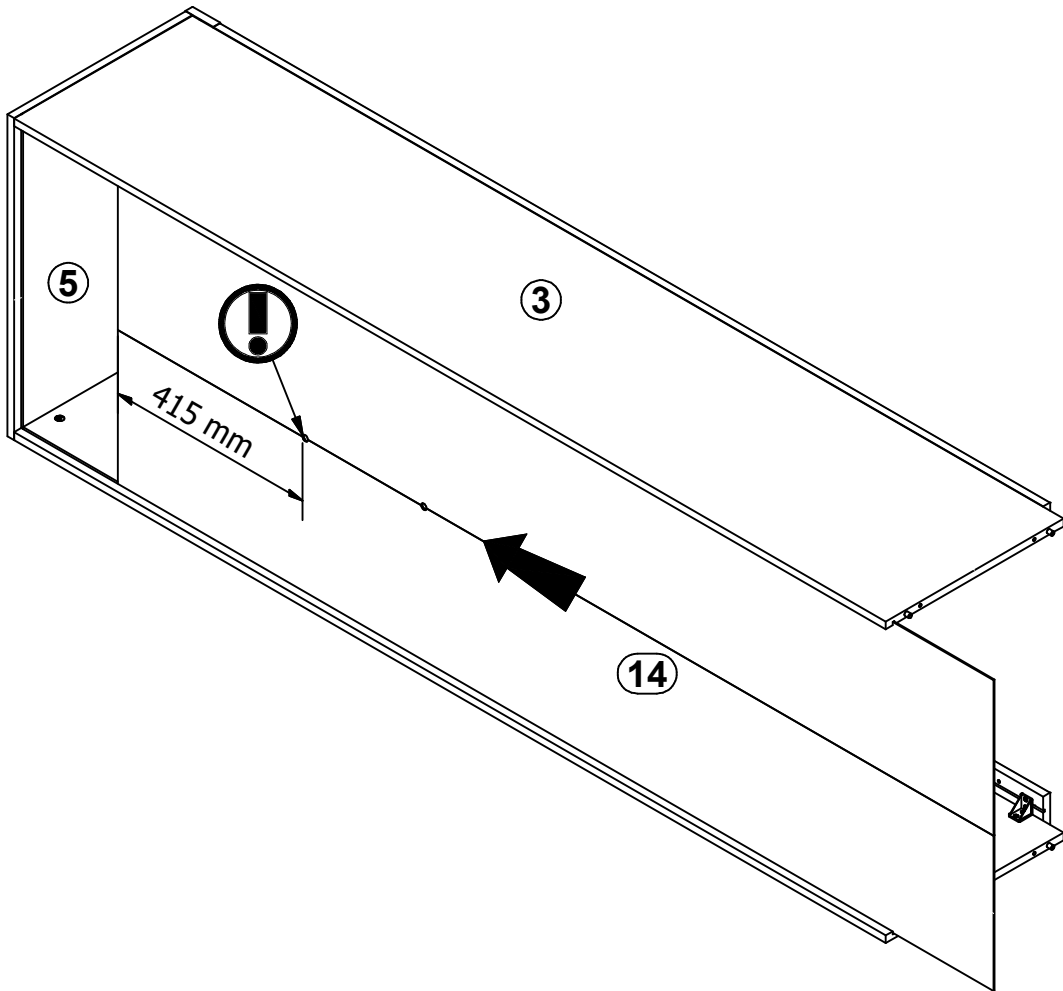
3 



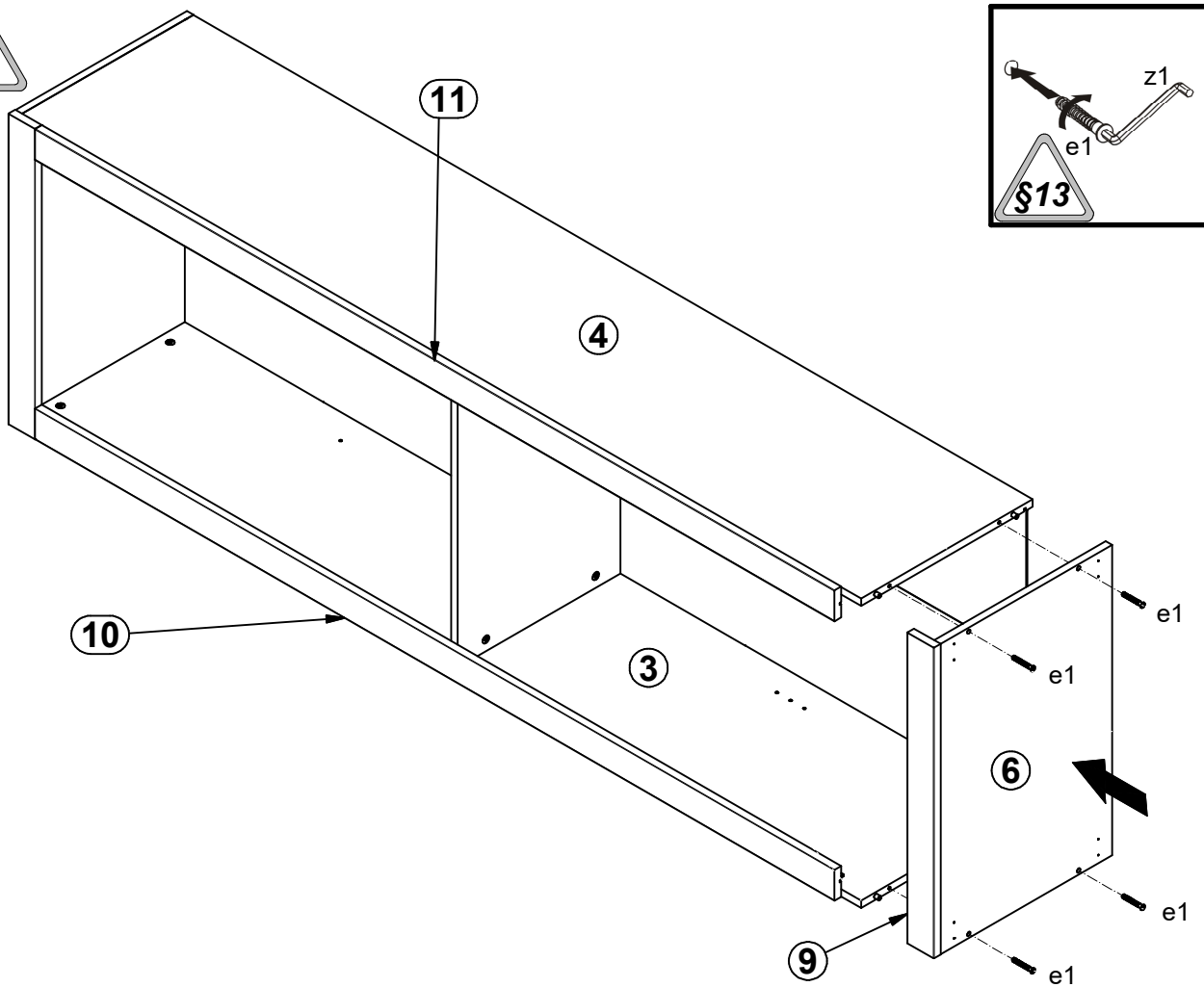
4 



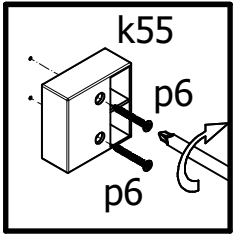
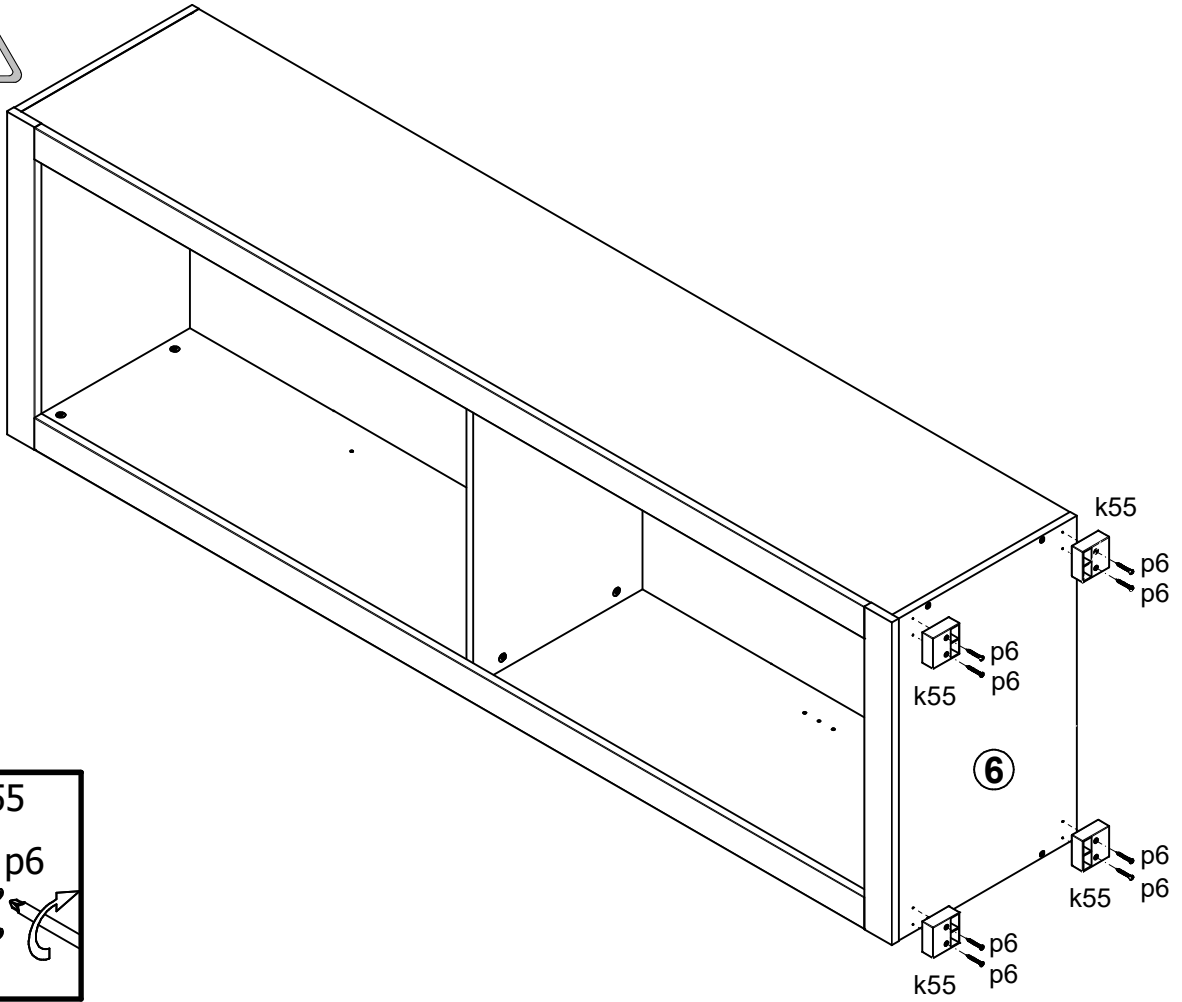
5 §6



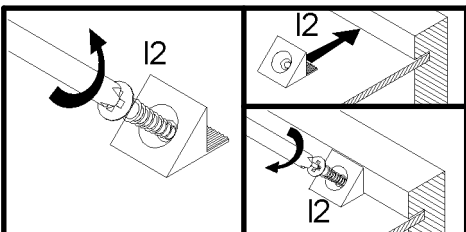
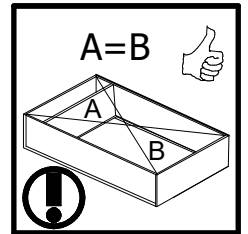
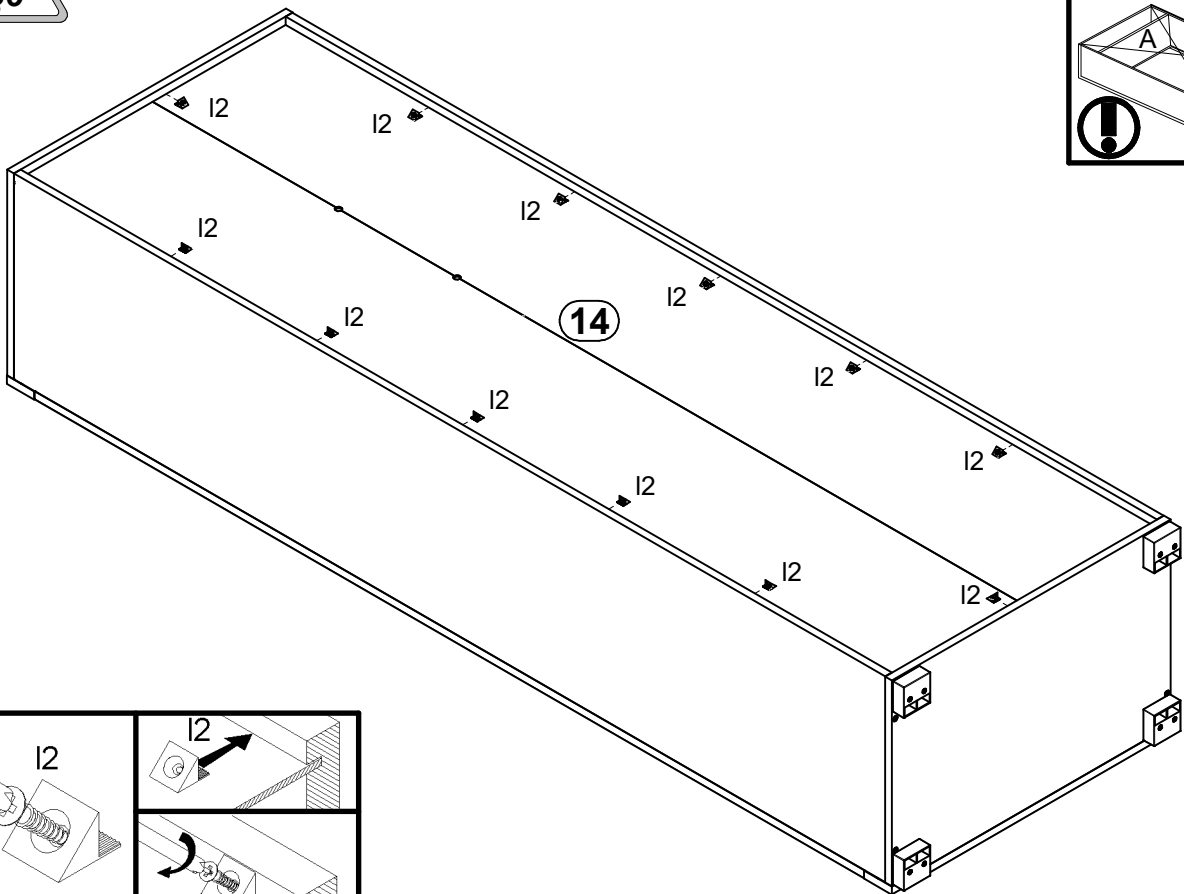
6 §6



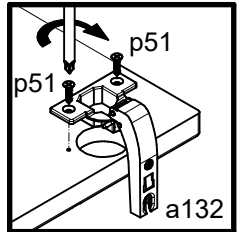
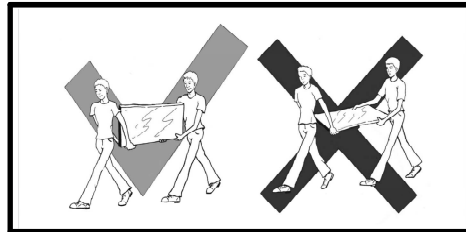
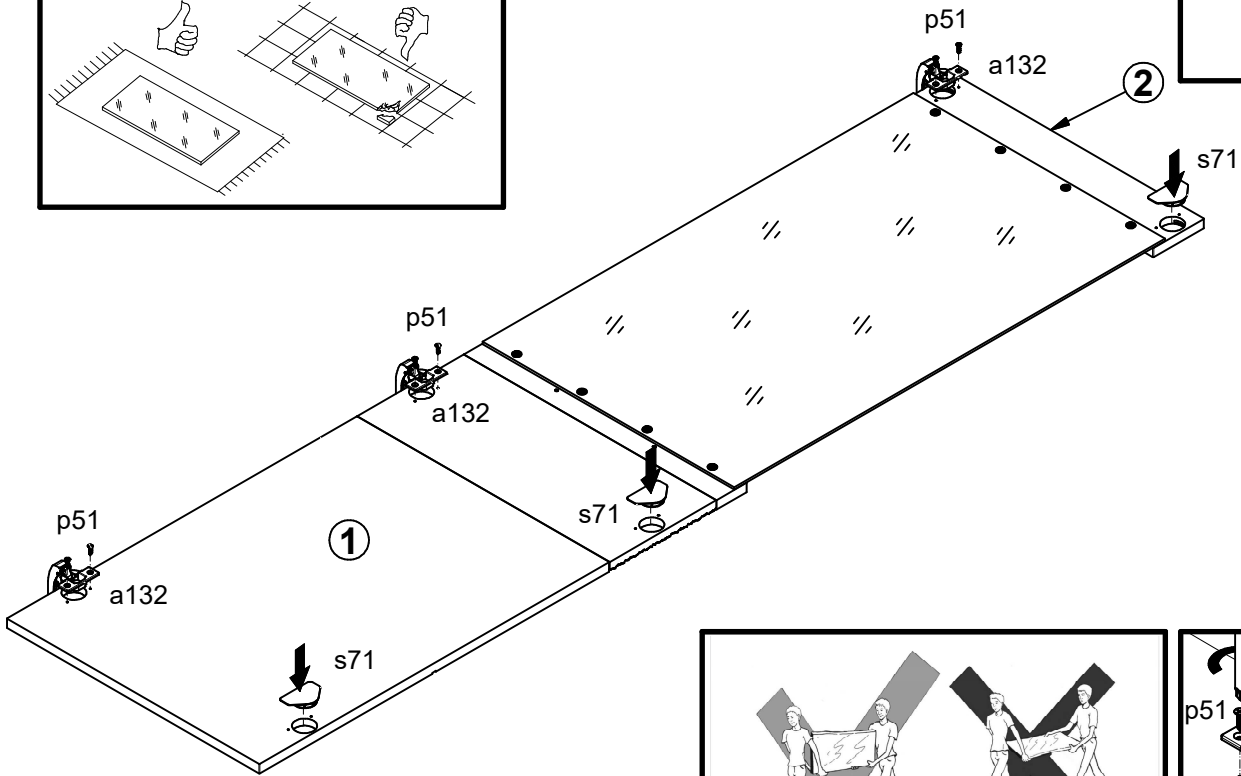
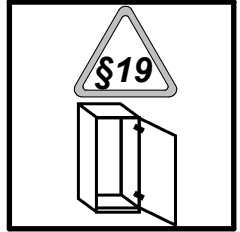
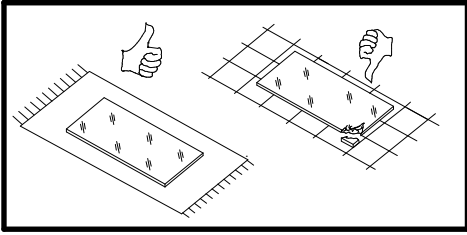
7 §6



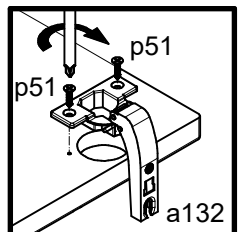
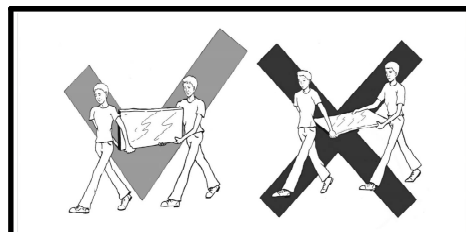
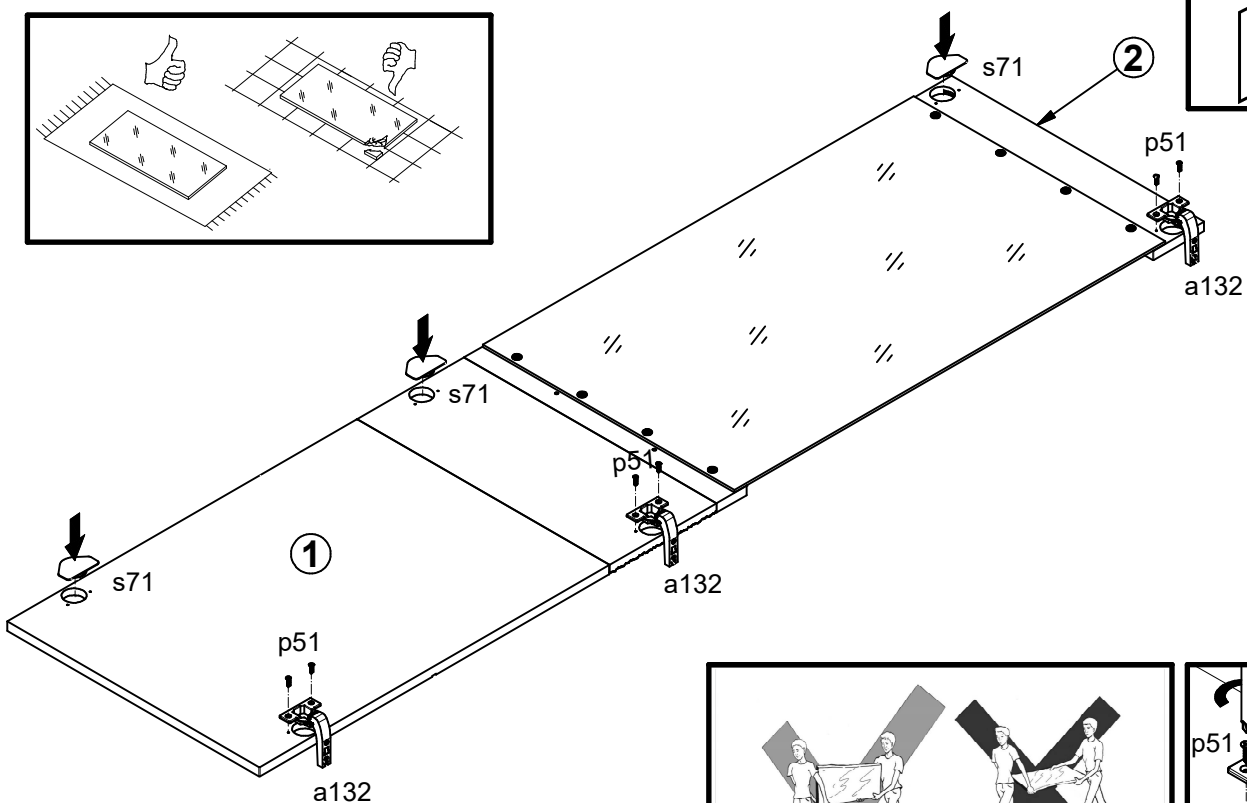
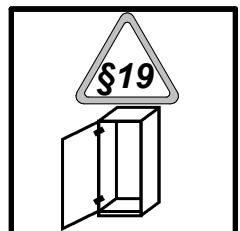
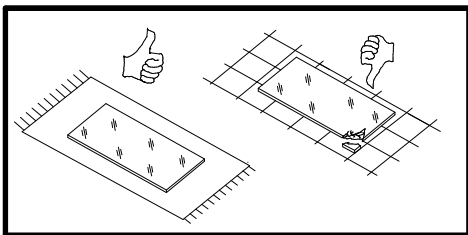
8 §6



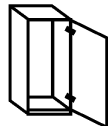
9A



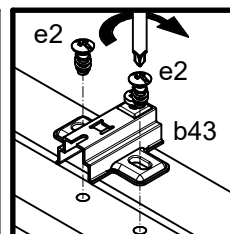
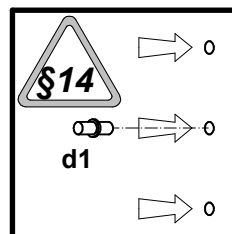
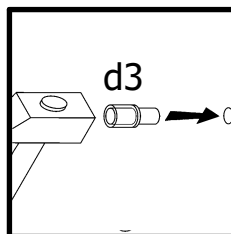
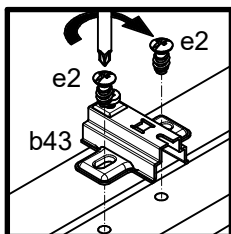
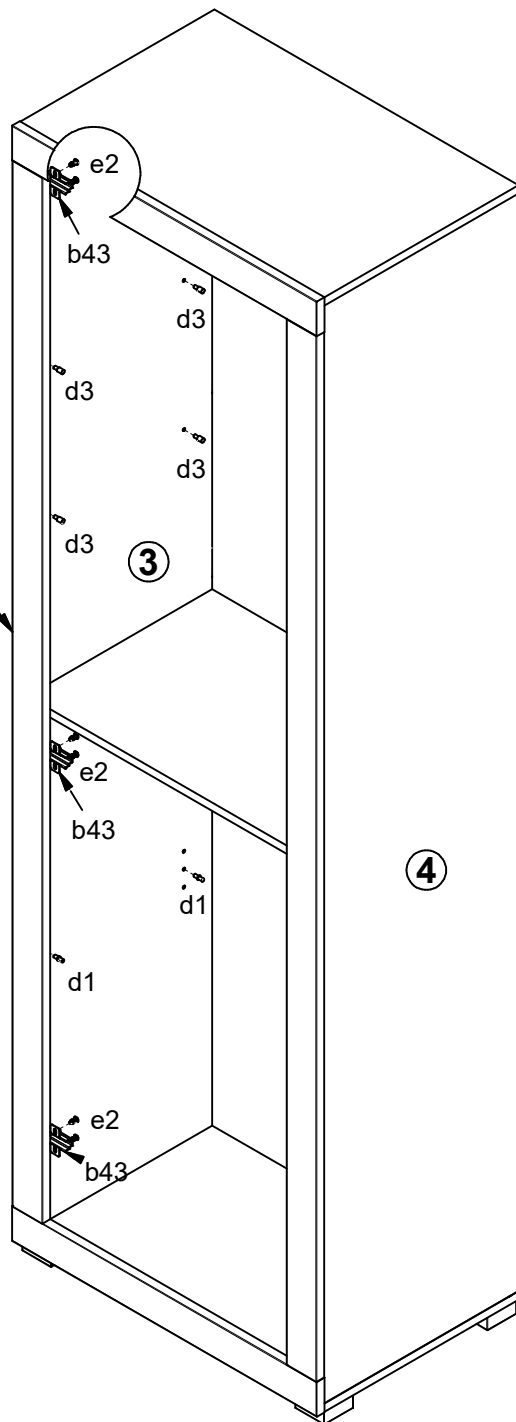
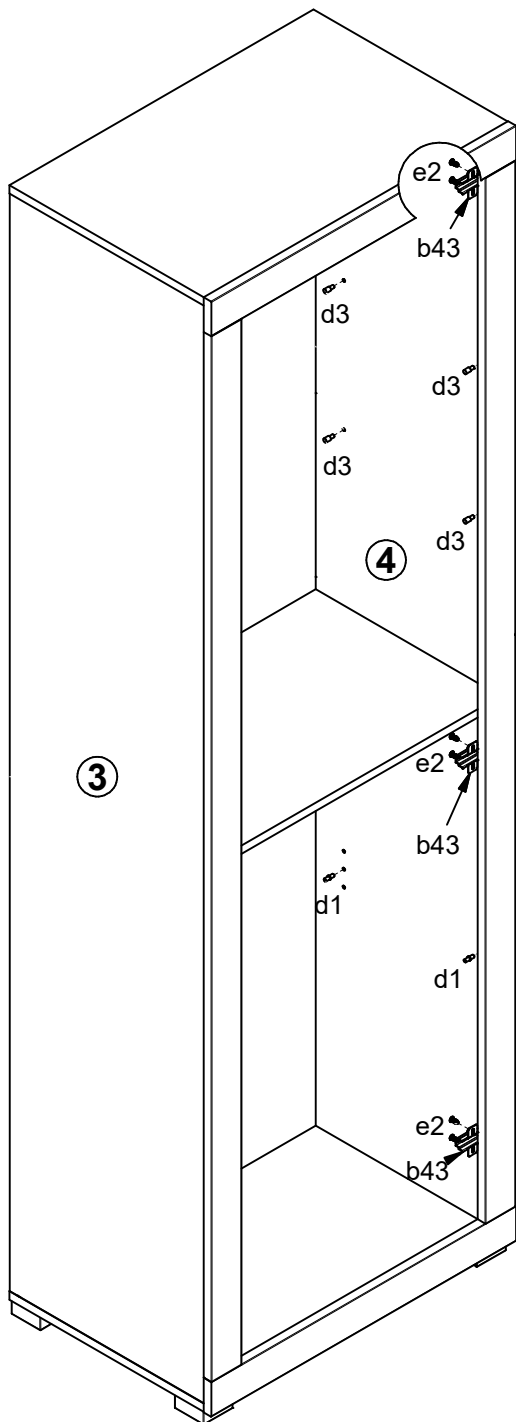
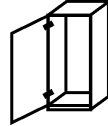
9B



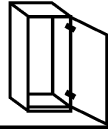
10A



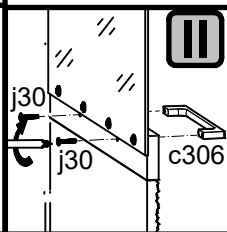
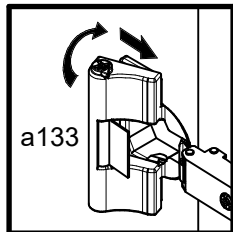
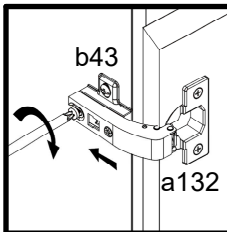
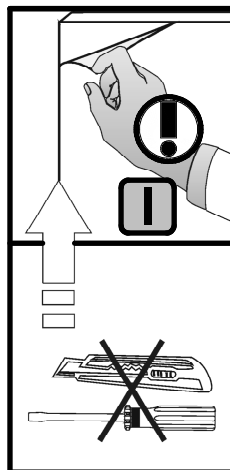
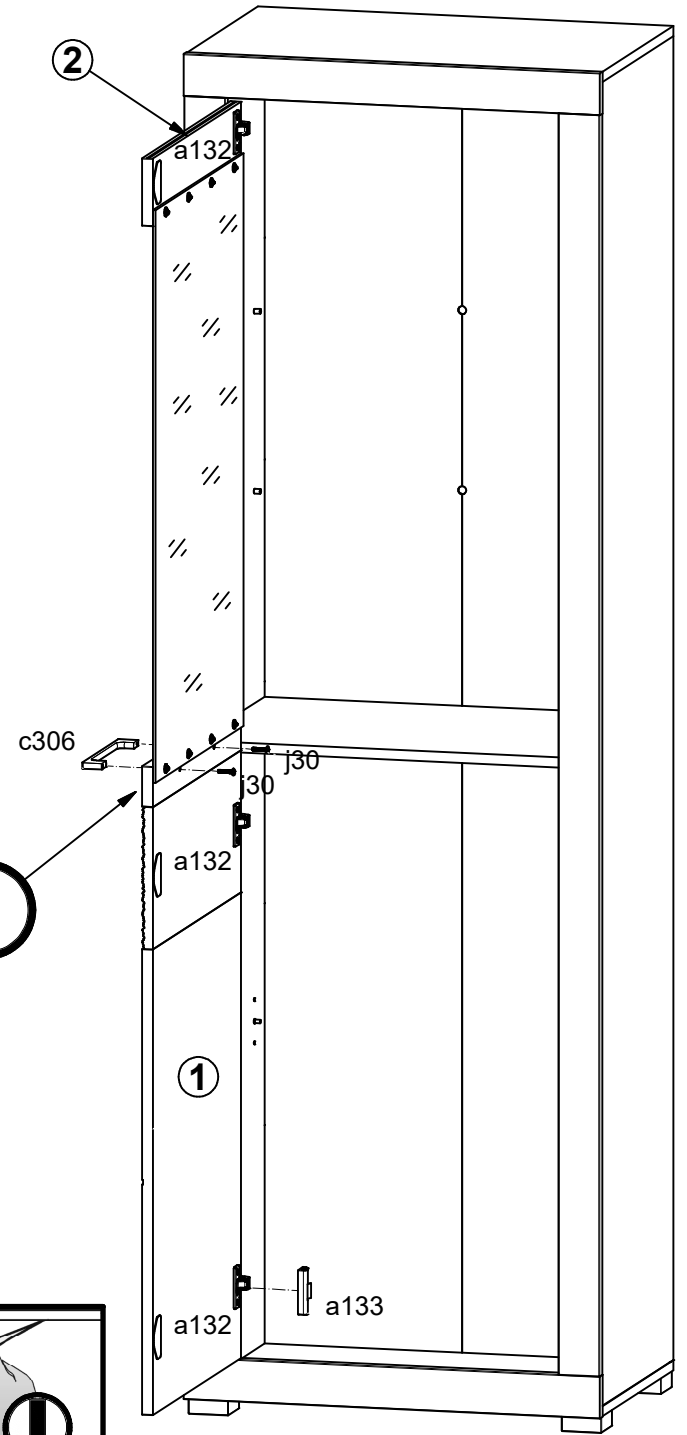
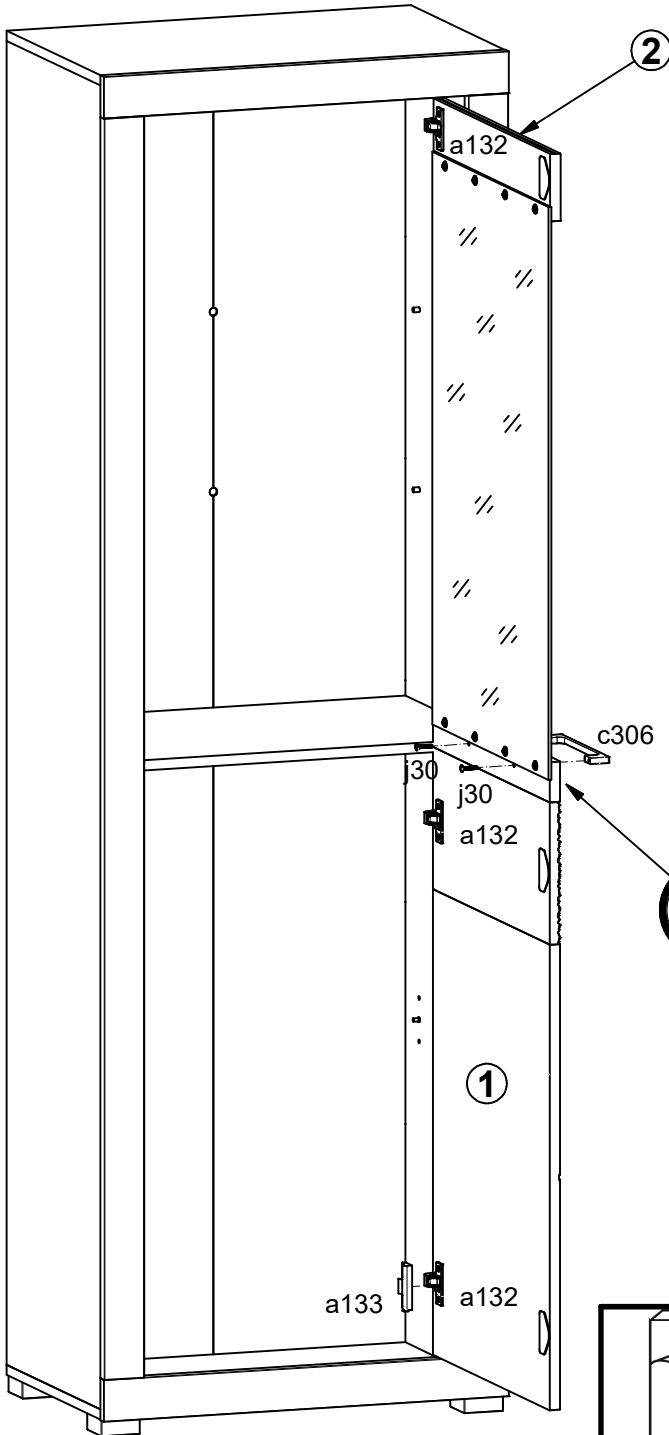
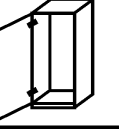
10B



11A



11B



12 §6 §11

