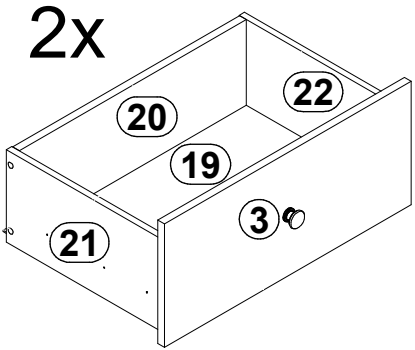


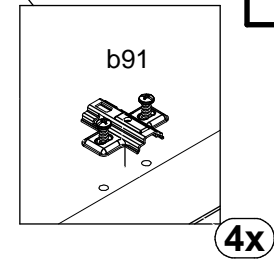
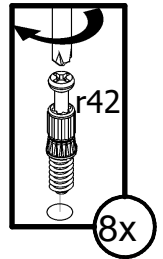
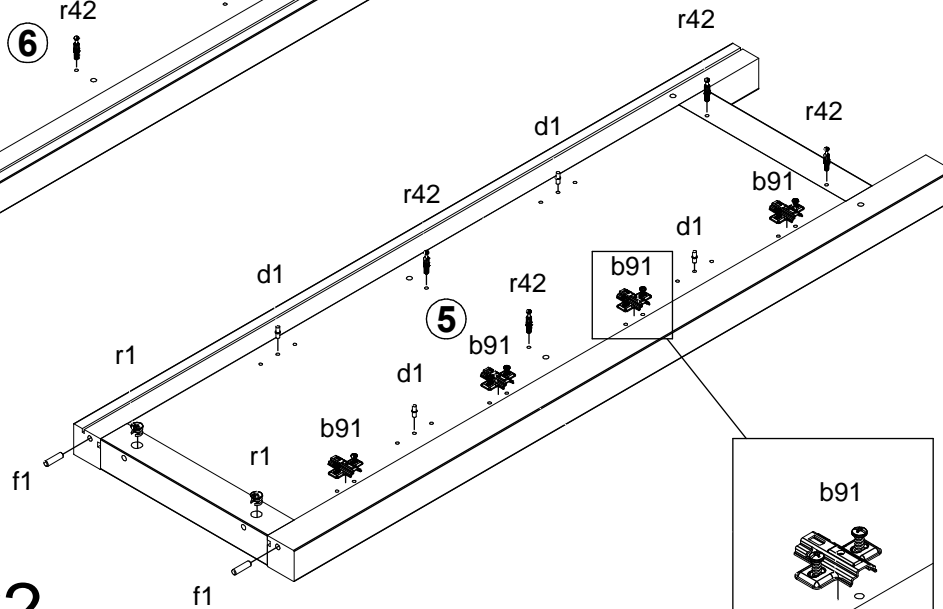
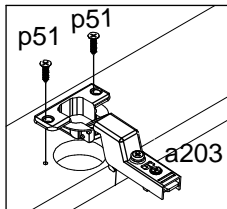
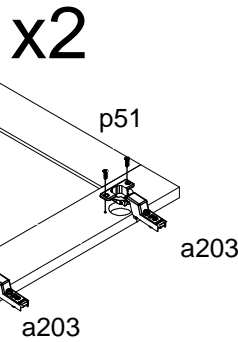
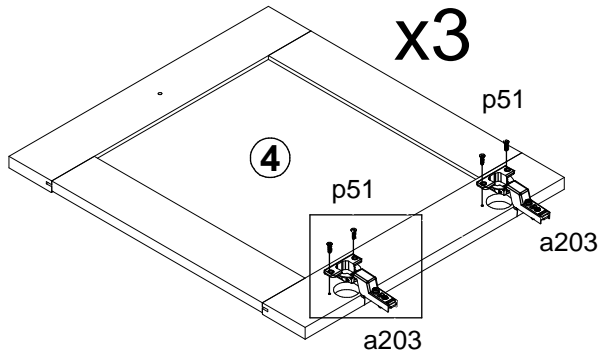
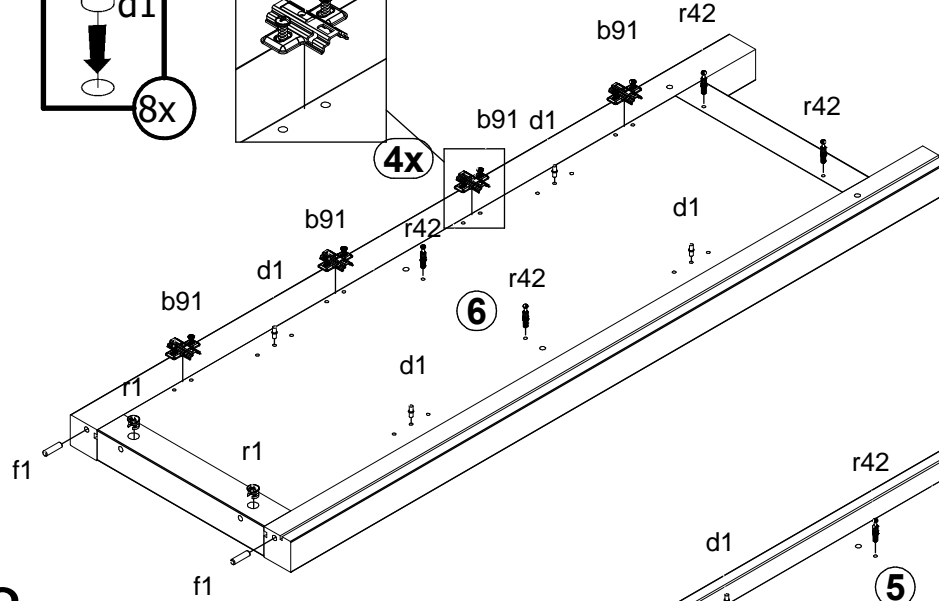
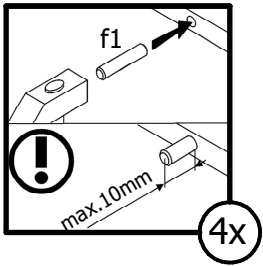
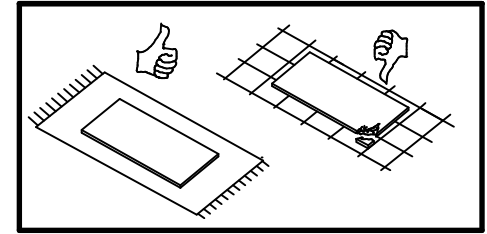
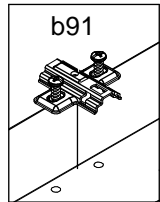
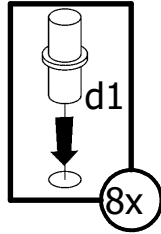
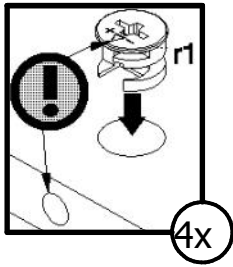
A	B	C1	C2	C3	D
1	S503-5005	134	50	50	2/4
2	S515-0004	486	555	19	3/4
3	S515-0005	555	240	15	3/4
4	S515-0016	486	555	19	3/4
5	S515-1031	1234	413	50	2/4
6	S515-1032	1234	413	50	2/4
7	S515-1033	1085	391	15	1/4
8	S515-1034	1085	391	15	1/4
9	S515-2009	1862	438	28	4/4
10	S515-3005	560	362	15	1/4
11	S515-3006	561	372	15	2/4
12	S515-3007	560	362	15	1/4
13	S515-3020	1713	373	15	4/4
14	S515-5203	561	50	19	4/4
15	S515-5207	1713	50	19	4/4
16	S515-9013	1103	574	2,5	3/4
17	S515-9014	1103	575	2,5	3/4
18	S515-9015	1103	574	2,5	3/4
19	WSP-939	522	358	2,5	3/4
20	ZK3-5074	511	167	15	2/4
21	ZK4-503	350	180	12	1/4
22	ZK4-504	350	180	12	1/4



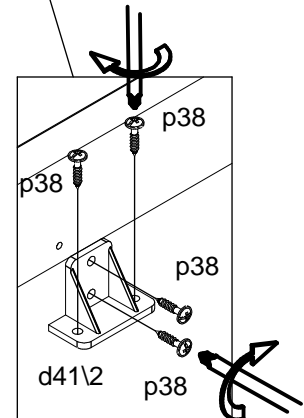
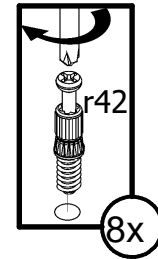
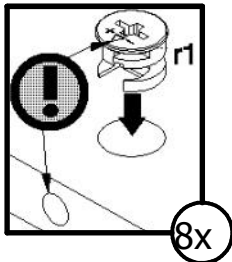
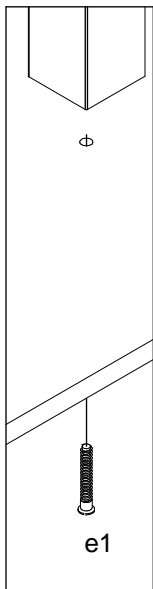
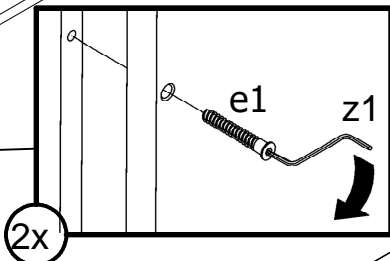
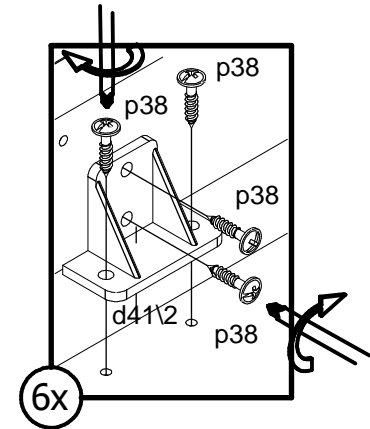
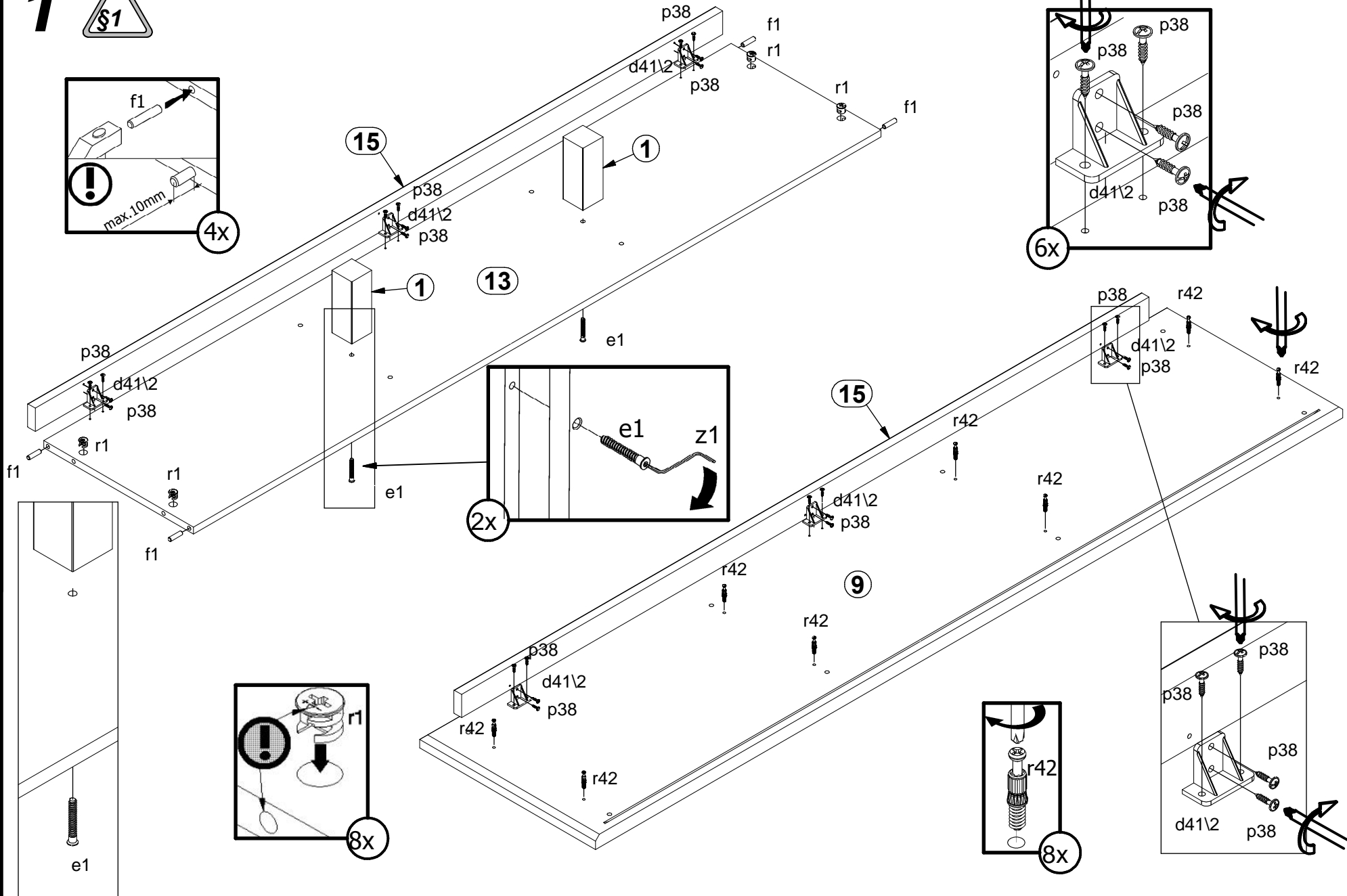
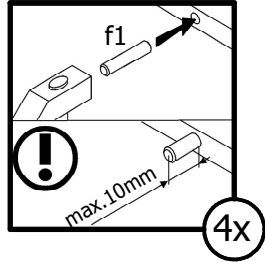
1x z1	10x Ø2,9x16 mm p55	10x 20x13x3,5/1 n108	12x d41/2
3x d-16 mm o114	10x b91	10x K16; 435 a203	5x M4x25 mm j8
2x M4x22 mm j30	2x 350 mm t35	20x Ø5x17 mm d1	6x k1
2x Ø3,5x16 mm p25	4x Ø8x50 mm f6	7x c475	34x l1
1x 6W Ø60/3 4	4x L-350 mm w210/1	9x Ø7x50 mm e1	56x Ø3,5x16 mm p38
2x Ø3,5x10 mm p35	4x r10	8x Ø6,3x15 mm d4	20x Ø3,5x15 mm p51
4x Ø8x50 mm f6	4x w210/2	6x Ø7x50 mm e1	24x Ø15x12 mm #16 r1
4x r10	4x Ø6x30 mm f9	8x Ø6,5x40 mm f25	24x 20/11 r42
4x r10	4x Ø6x30 mm f9	8x Ø6,5x40 mm f25	6x Ø16 s2
2x Ø10x50 mm f35	2x Ø5x60 mm p17	4x Ø3,5x16 mm p38	24x Ø3,5x12 mm p140
2x Ø10x50 mm f35	2x Ø5x60 mm p17	4x Ø3,5x16 mm p38	2x Ø8x21x15/1,5 n14/2

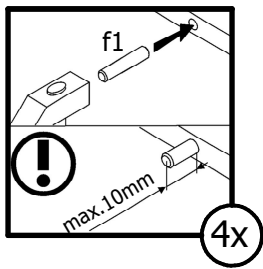
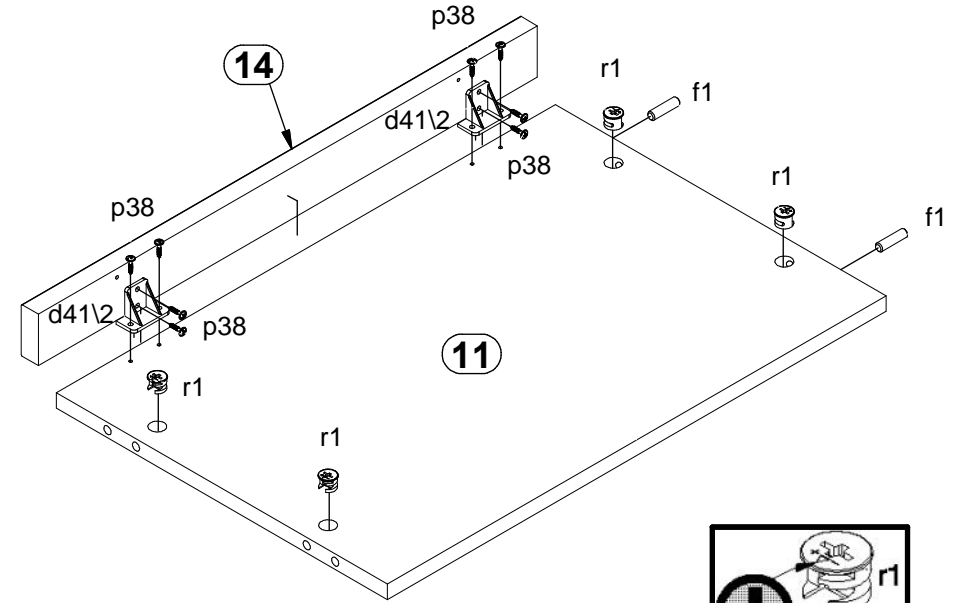
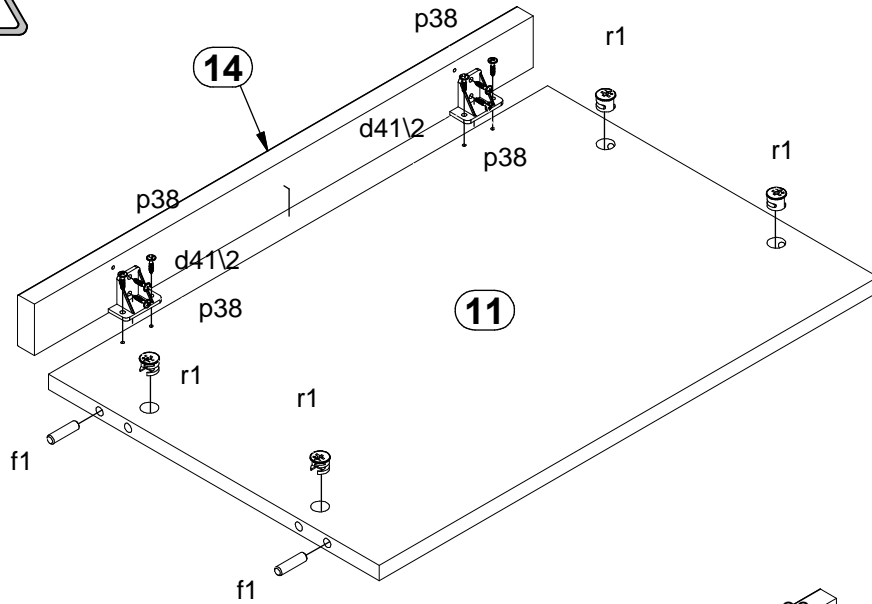


1  §1

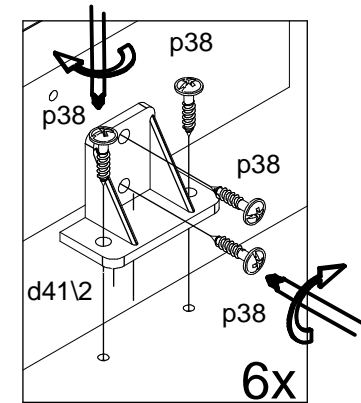
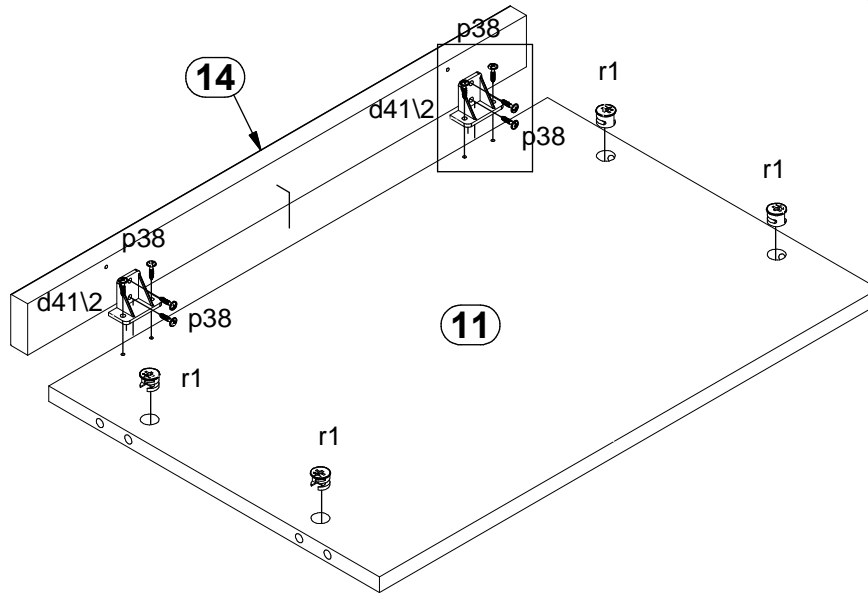


1 

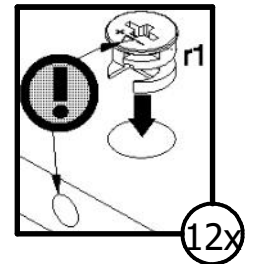




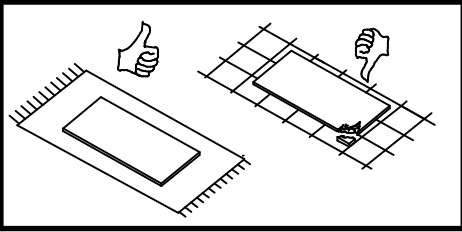
4x



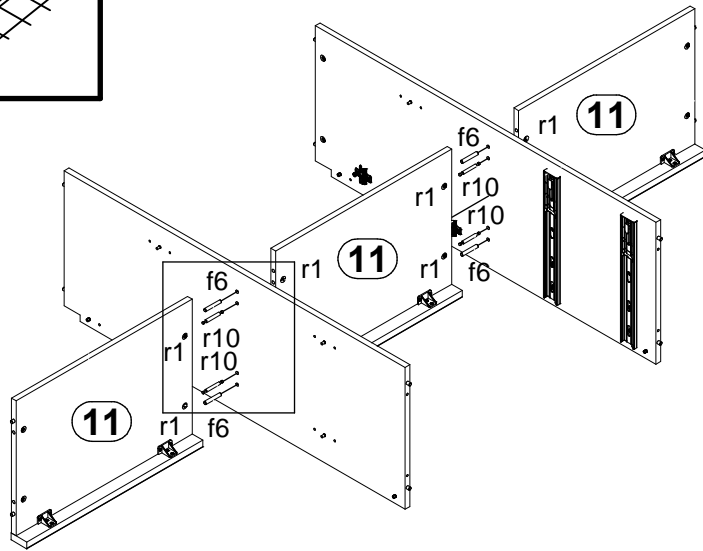
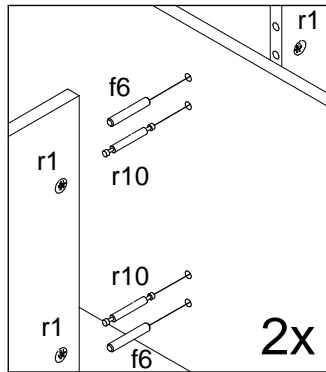
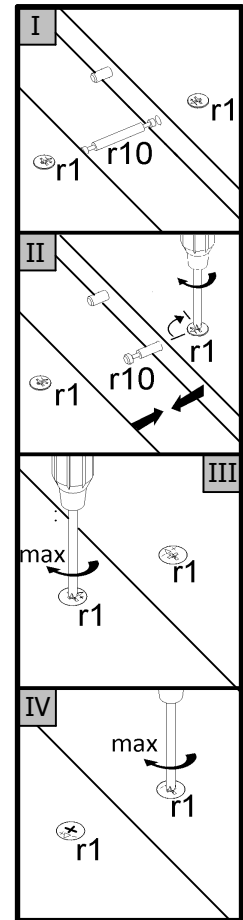
6x



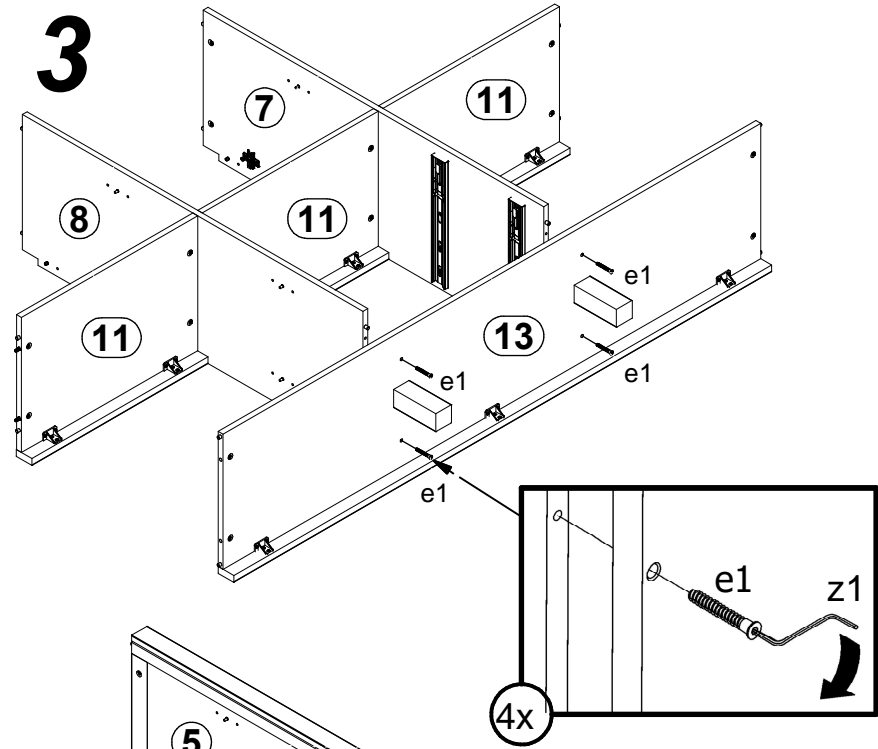
12x



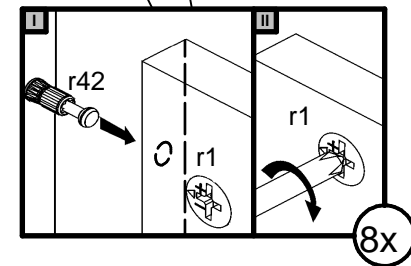
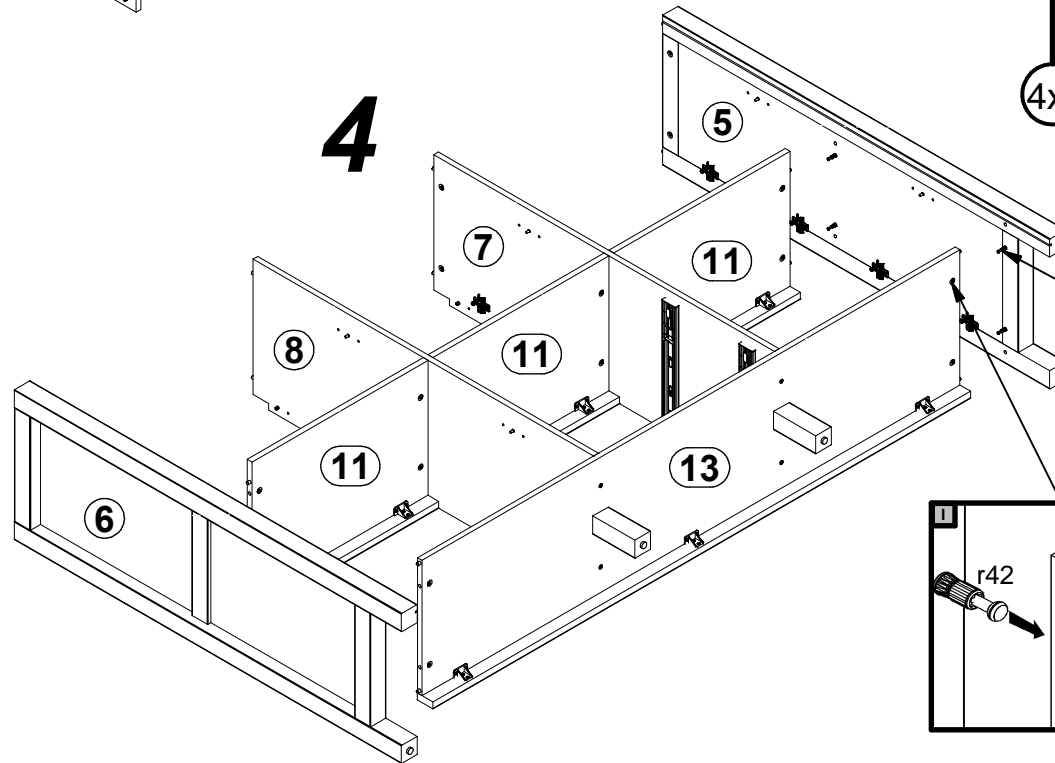
§2 2



3

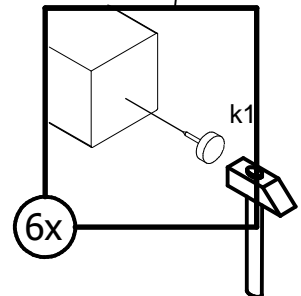
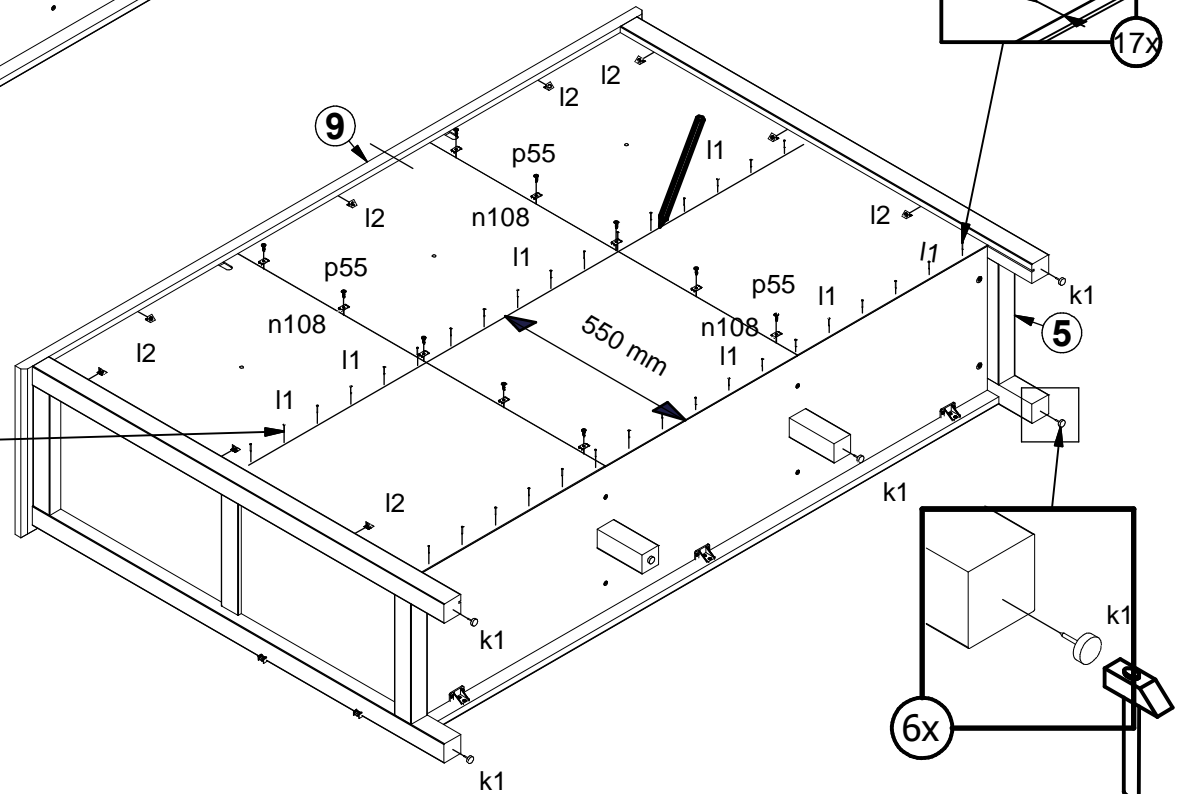
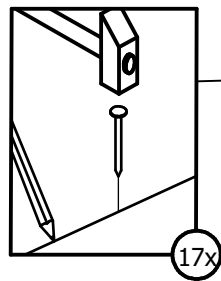
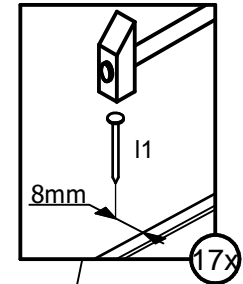
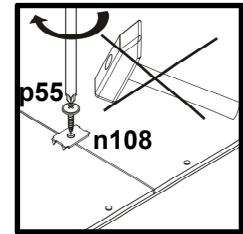
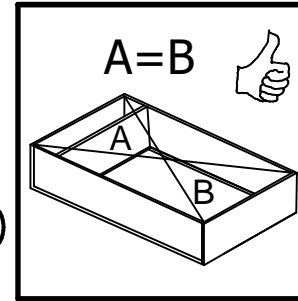
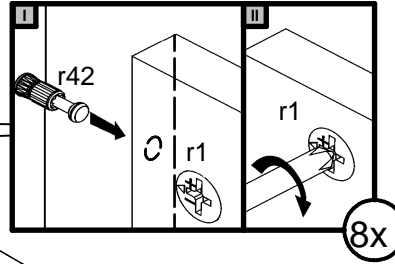
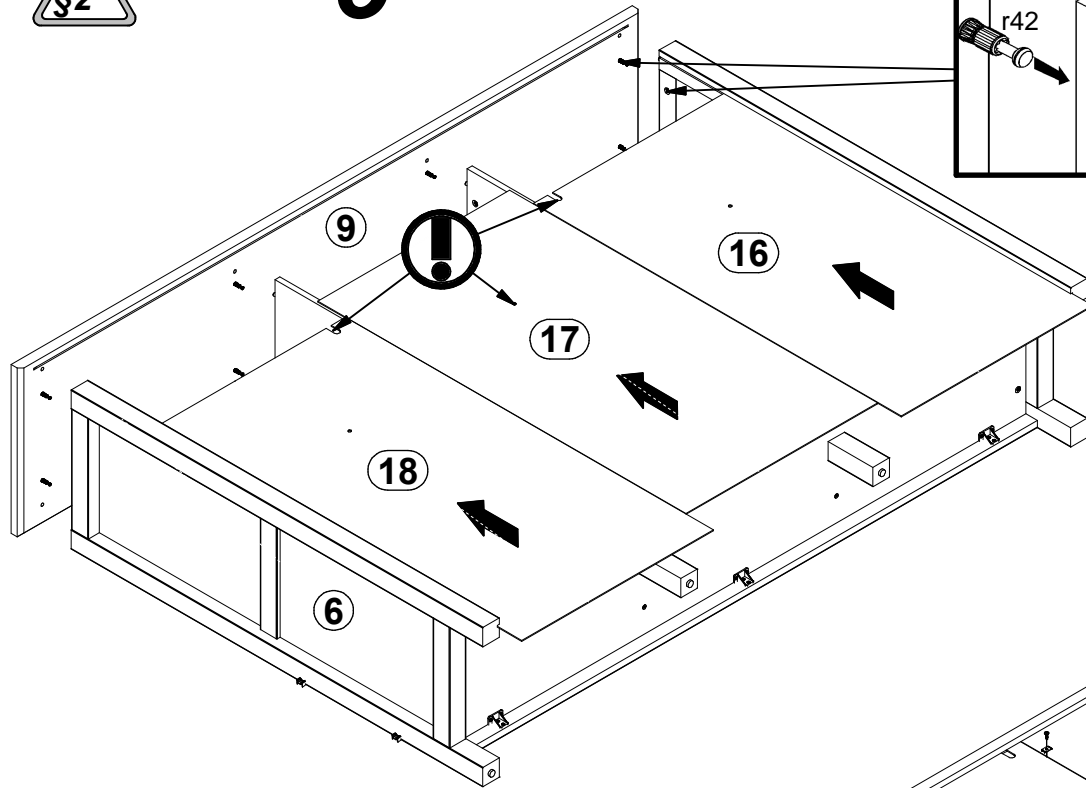


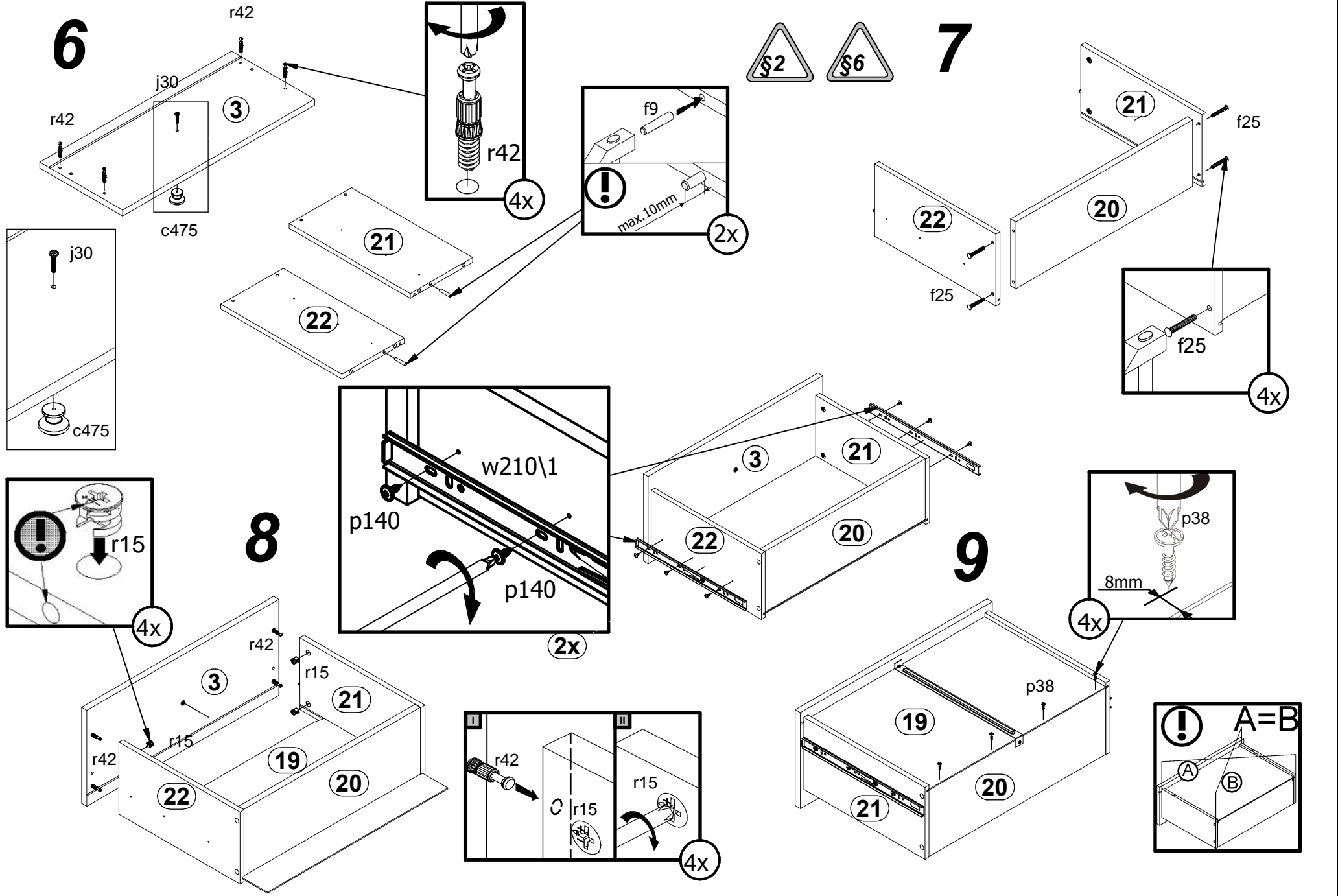
4



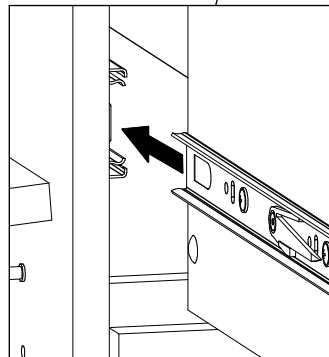
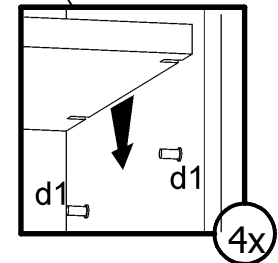
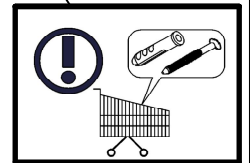
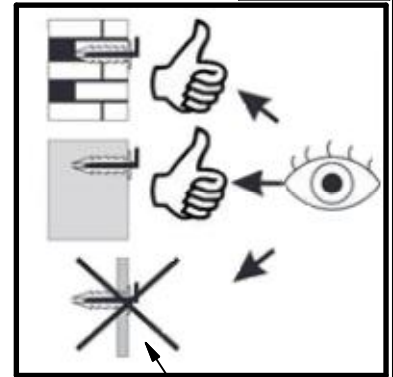
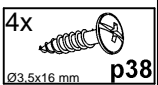
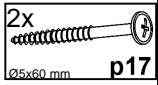
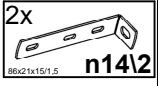
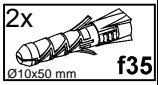
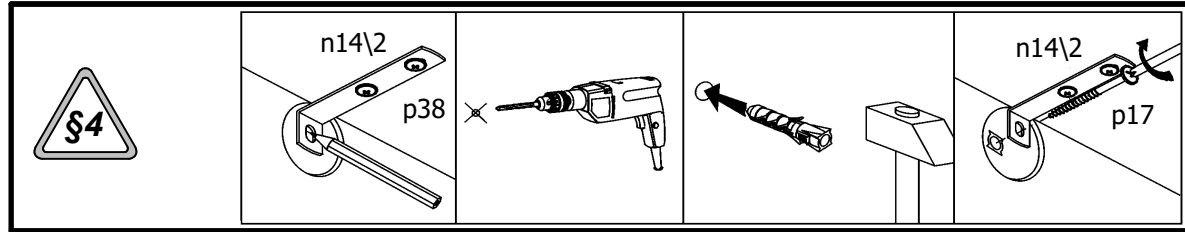
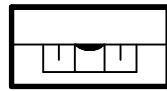
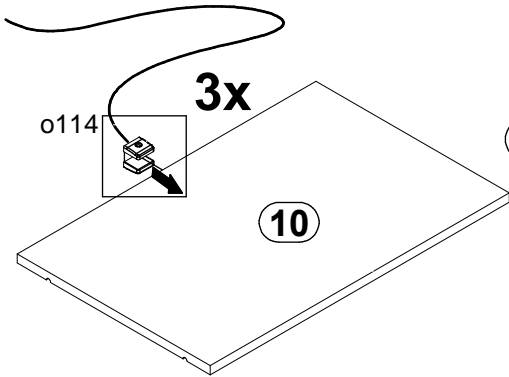
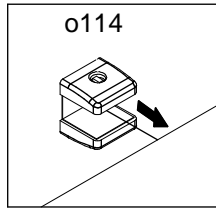


5





10



11

