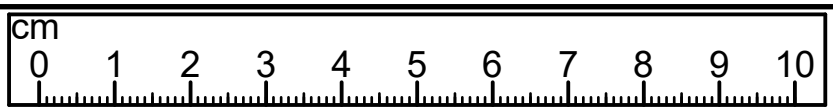
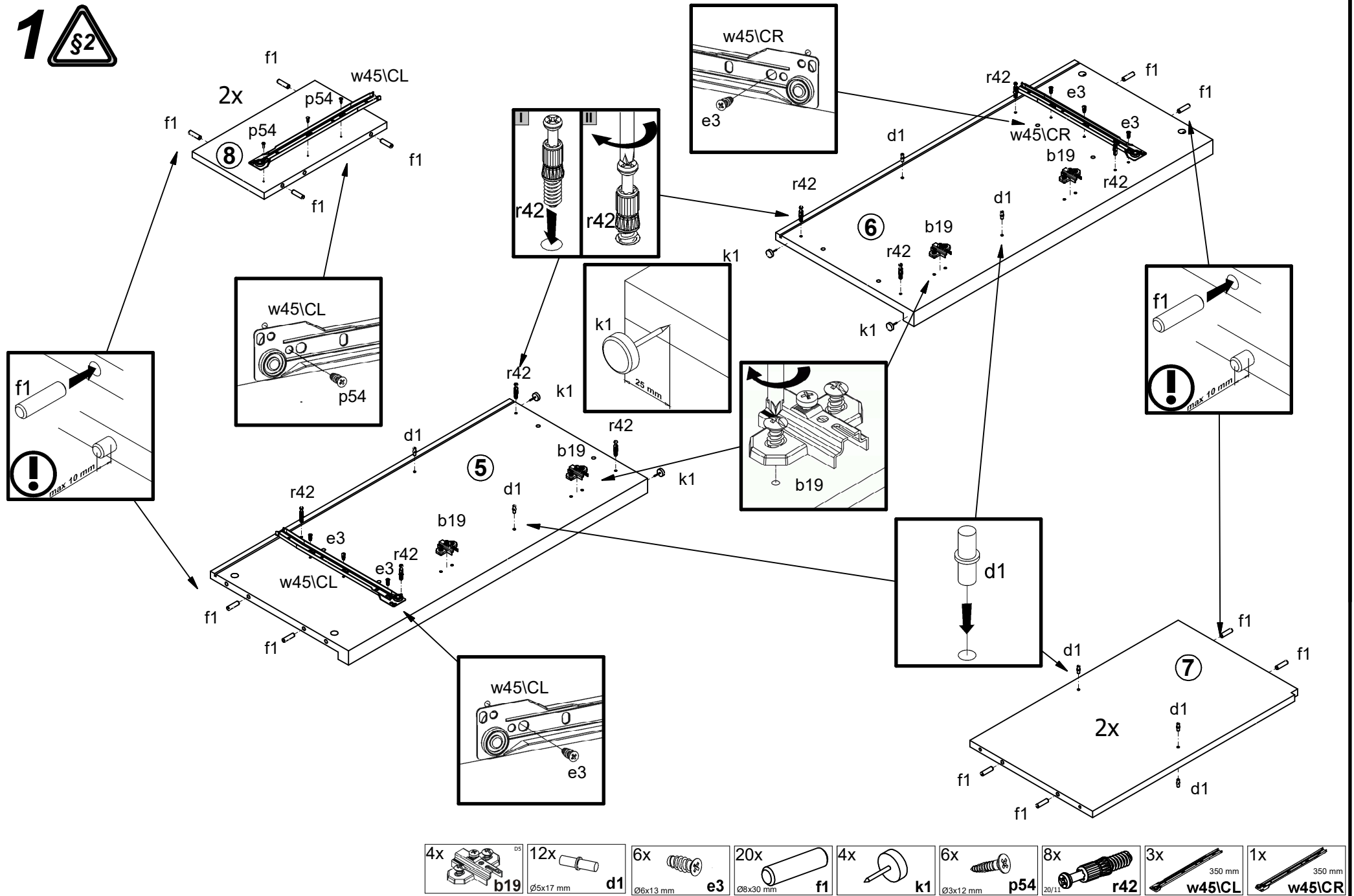


A	B	C (mm)		D
1	S328-005	444	200	2/2
2	S328-006	444	200	2/2
3	S328-007	444	200	2/2
4	S328-015	576,	444,	2/2
5	S328-126	864	399	2/2
6	S328-127	864	399	2/2
7	S328-128	602	355	2/2
8	S328-129	208	355	2/2
9	S328-208	1480	429	1/2
10	S328-321	1348	375	1/2
11	S328-322	1348	391	1/2
12	S328-323	431	352	2/2
13	S328-324	451	352	2/2
14	S328-905	405	355	1/2
15	S328-906	415	355	1/2
16	S328-918	839	445	2/2
17	S328-919	839	468	2/2
18	ZS3-5533	393	120	1/2
19	ZS3-5640	383	120	1/2
20	ZS4-501	350	120	1/2
21	ZS4-502	350	120	1/2

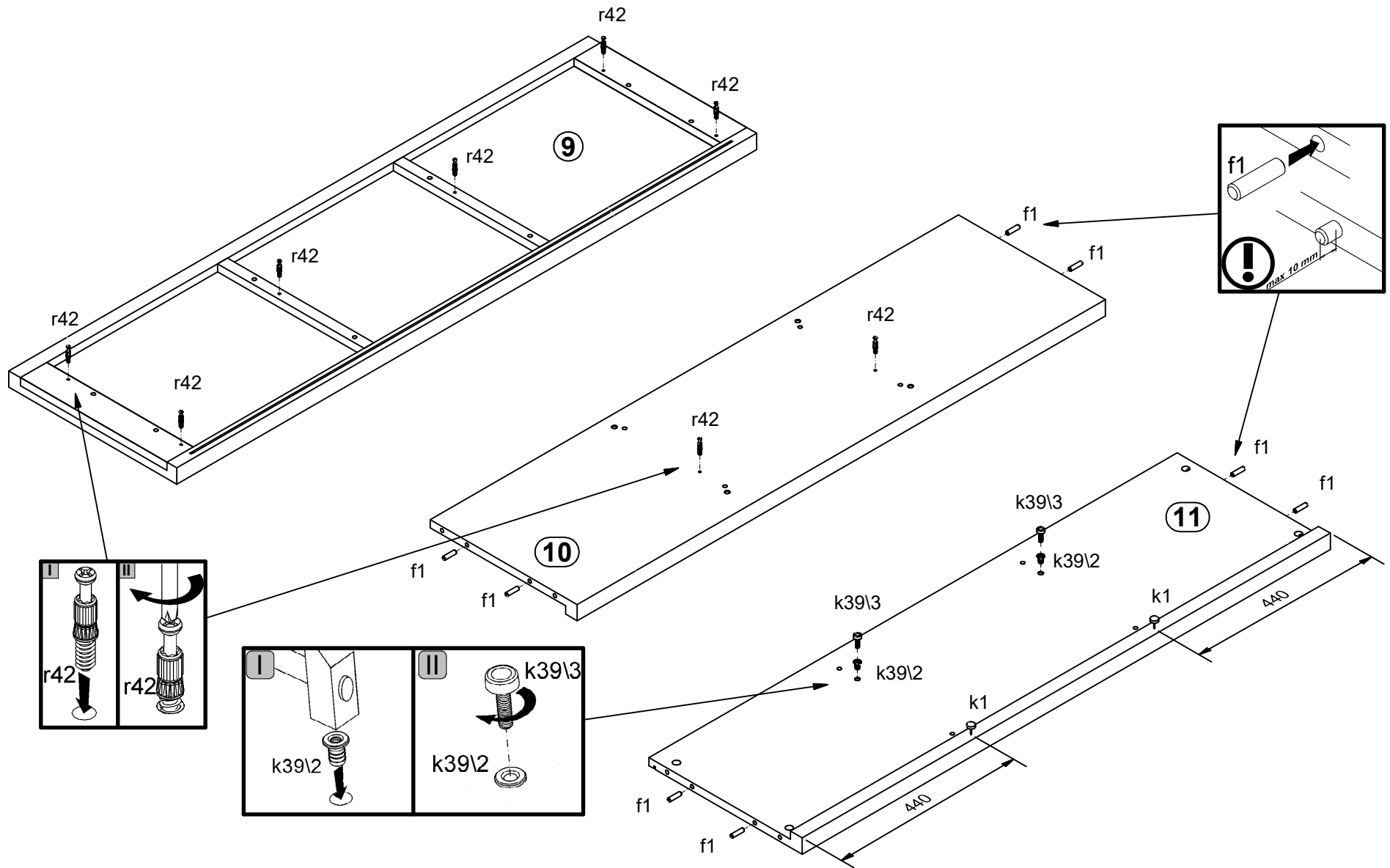


4x a43	4x b19	5x c406 128 mm	12x d1 Ø5x17 mm	8x e1 Ø7x50 mm	12x e19 Ø5x9 mm	12x e3 Ø6x13 mm	28x f1 Ø8x30 mm	12x f25 Ø6,5x40 mm	6x f9 Ø6x30 mm	10x j8 M4x25 mm	6x k1	2x k3912 M6/Ø14x14 mm
2x k3913 M6/22 mm	15x l1 1,4x20 mm	10x l2	6x n108 22x9,5x20,7 mm	13x p38 Ø3,5x16 mm	8x p51 Ø3,5x15 mm	6x p54 Ø3x12 mm	6x p55 Ø2,9x16 mm	16x r1 Ø15x12 mm #16	12x r15 Ø12x10,5 mm #12	28x r42 20/11	3x w45\CL 350 mm	3x w45\CR 350 mm
3x w45\DL 350 mm	3x w45\DR 350 mm	1x z1 4 mm	2x n14\2 88x21x15x1,5	2x f35 Ø10x50 mm	2x p17 Ø5x60 mm							



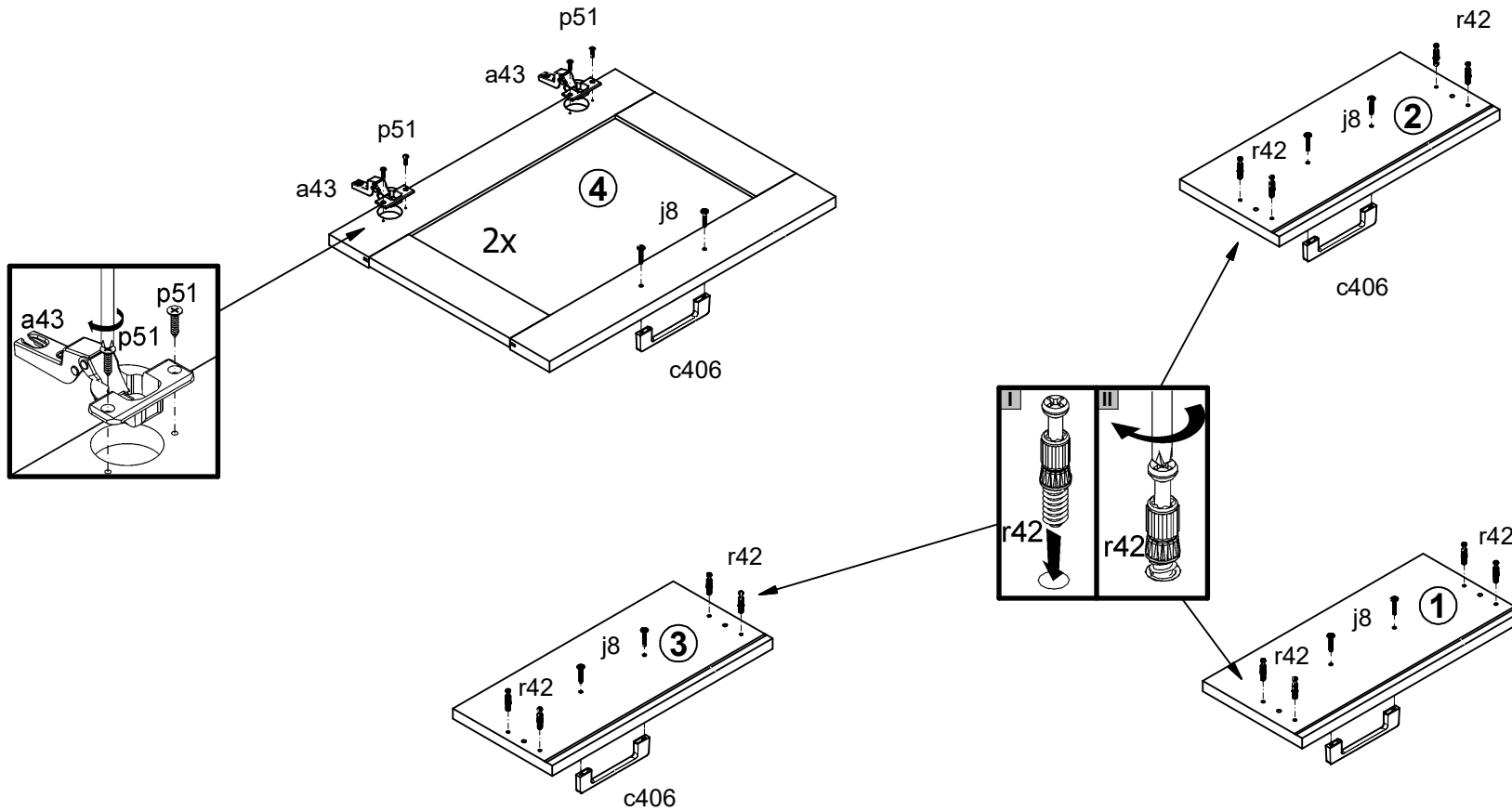
- |   |   |  |   |  |   |   |  |  |
|---|---|--|---|--|---|---|--|--|
| 4x  <b>b19</b> | 12x  <b>d1</b> | 6x  <b>e3</b> | 20x  <b>f1</b> | 4x  <b>k1</b> | 6x  <b>p54</b> | 8x  <b>r42</b> | 3x  <b>w45\CL</b> | 1x  <b>w45\CR</b> |
|---|---|--|---|--|---|---|--|--|

# 2



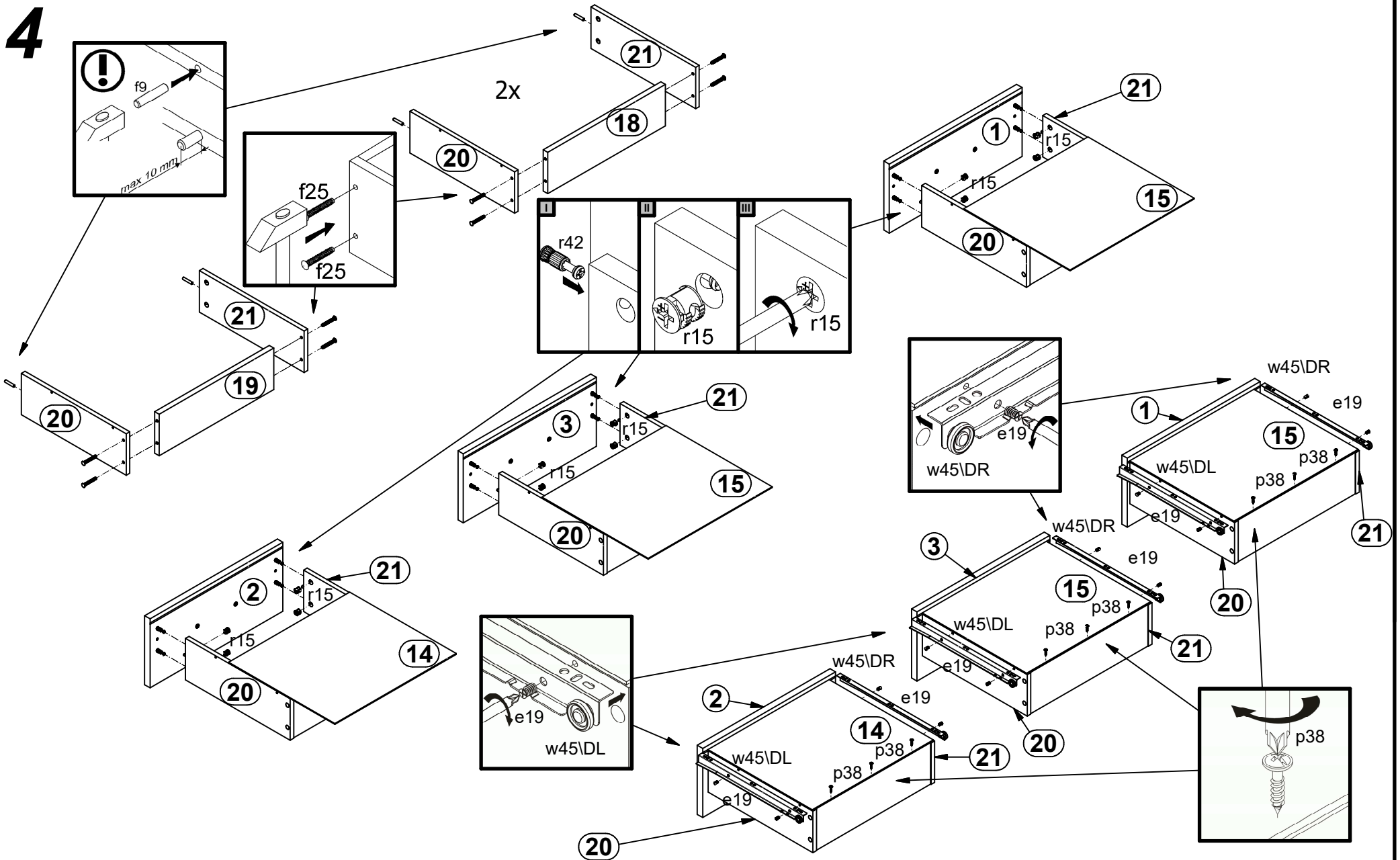
- 8x  $\varnothing 8 \times 30$  mm f1
- 2x k1
- 2x M6/14x14 mm k39/2
- 2x M6/22 mm k39/3
- 8x 20/11 r42

# 3



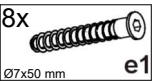
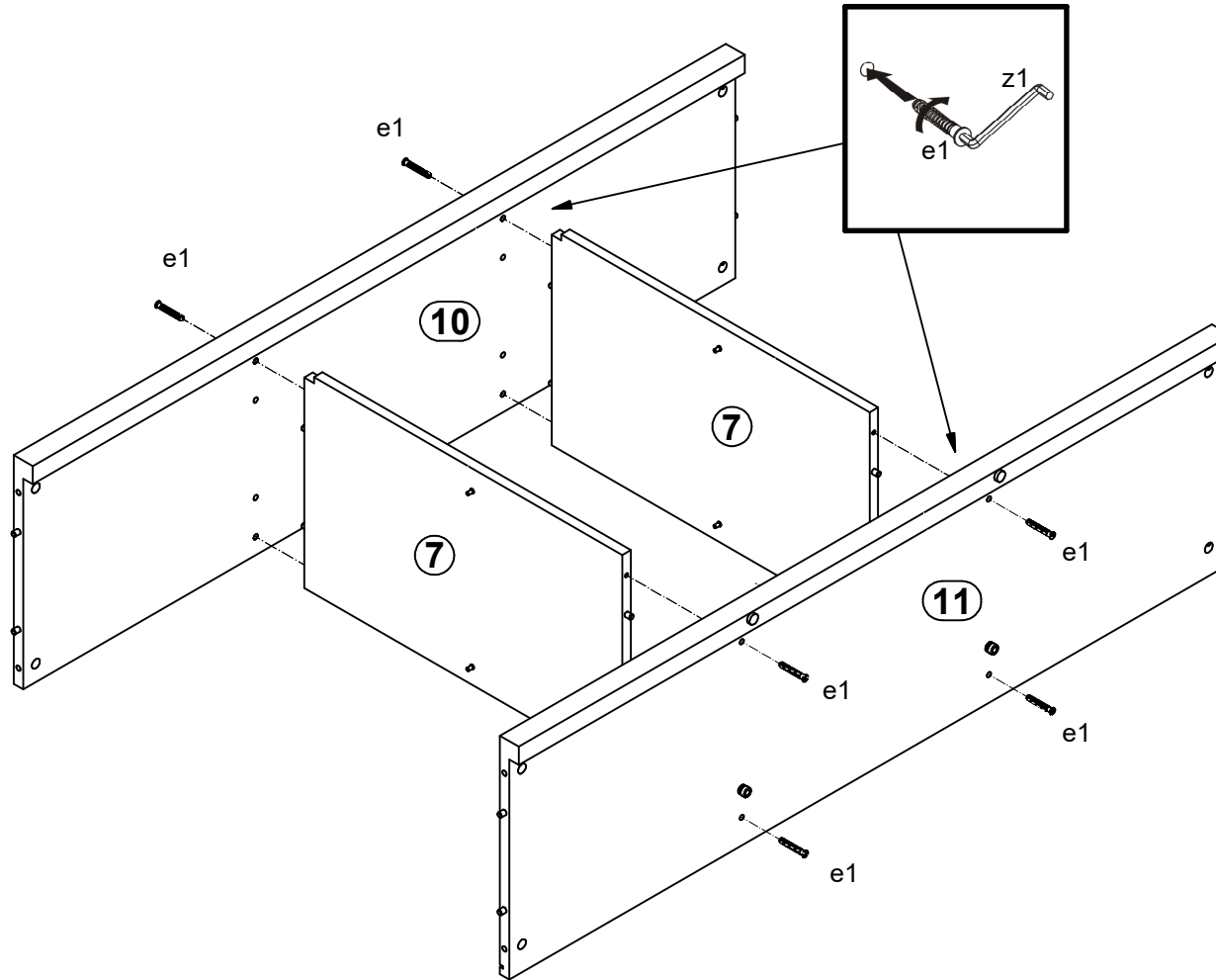
- |                  |                      |                       |                         |                     |
|------------------|----------------------|-----------------------|-------------------------|---------------------|
| 4x<br>K16<br>a43 | 5x<br>128 mm<br>c406 | 10x<br>M4x25 mm<br>j8 | 8x<br>Ø3,5x15 mm<br>p51 | 12x<br>20/11<br>r42 |
|------------------|----------------------|-----------------------|-------------------------|---------------------|

4

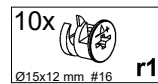
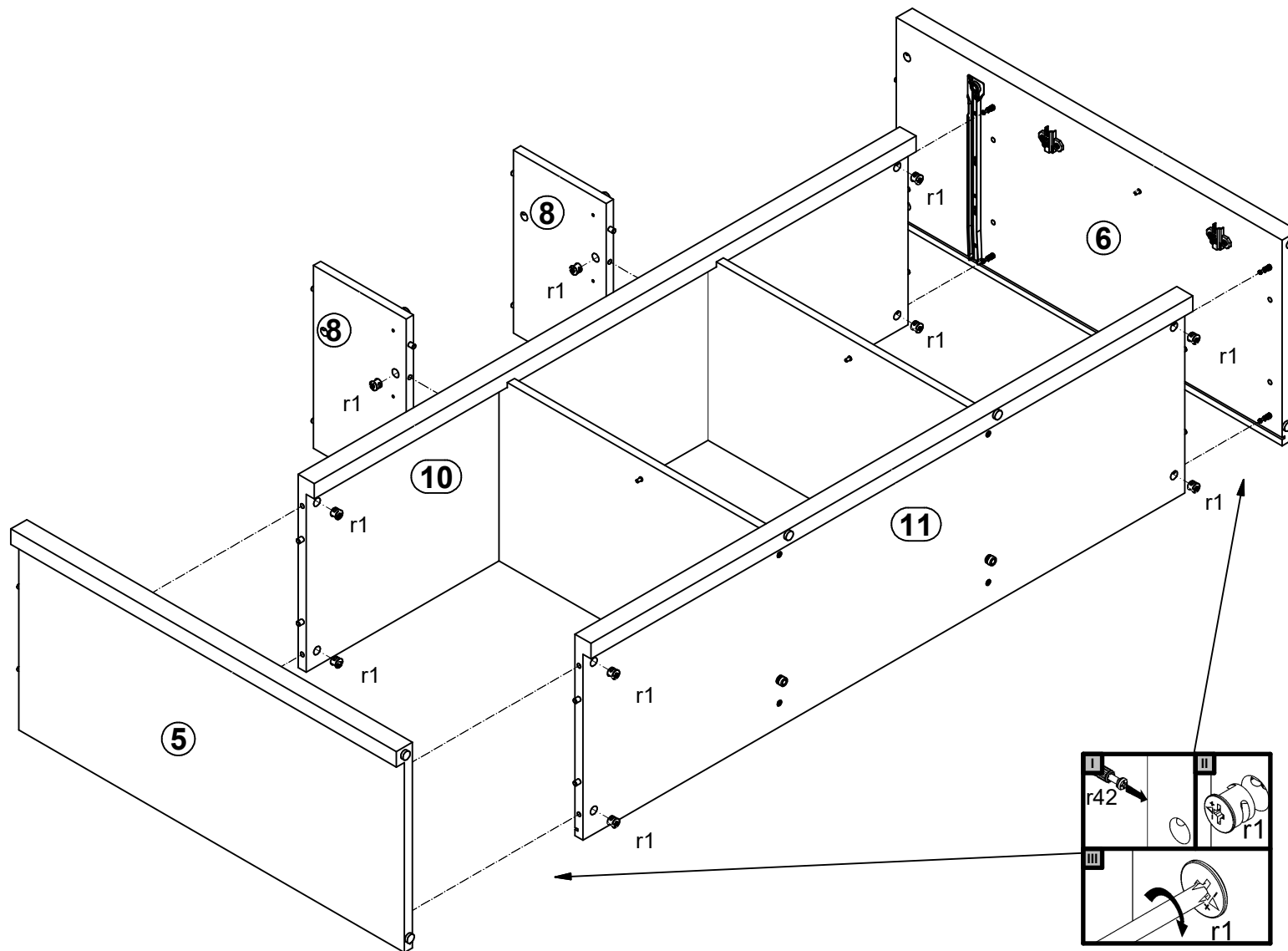


6x Ø6x30 mm f9	12x Ø6.5x40 mm f25	12x Ø5x9 mm e19	9x Ø3.5x16 mm p38	12x Ø12x10.5 mm #12 r15	3x 350 mm w45\DL	3x 350 mm w45\DR
----------------------	--------------------------	-----------------------	-------------------------	-------------------------------	------------------------	------------------------

# 5



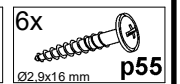
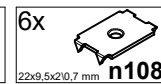
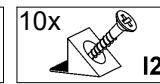
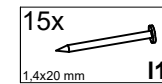
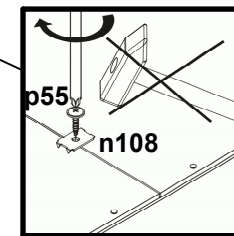
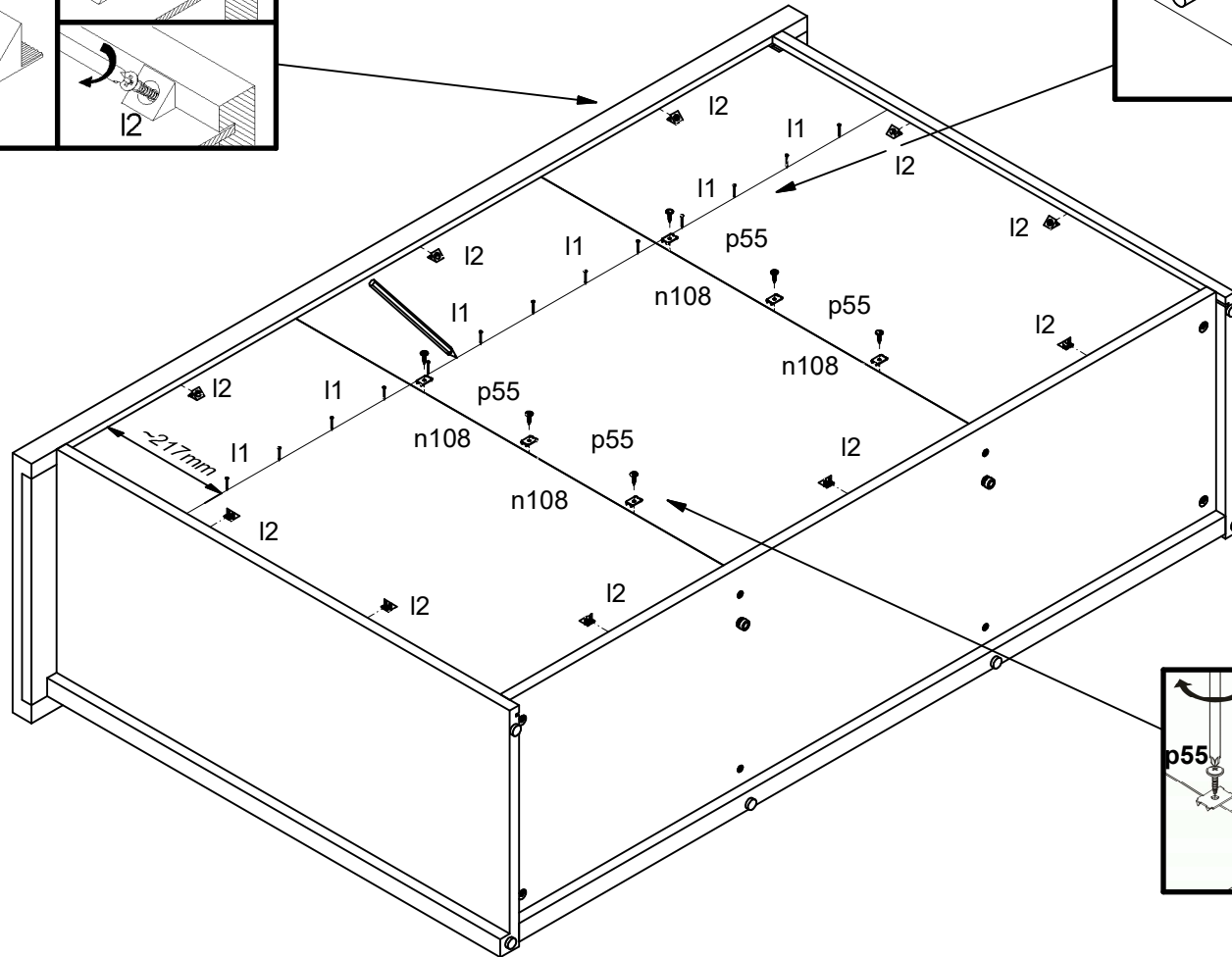
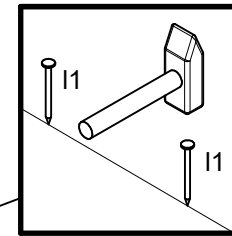
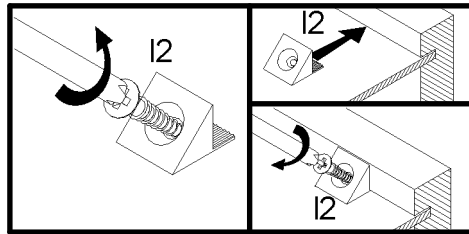
# 6







8



# 9

