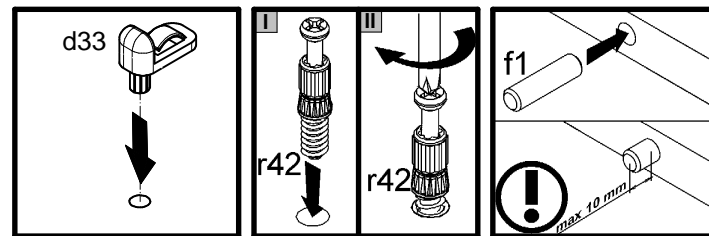
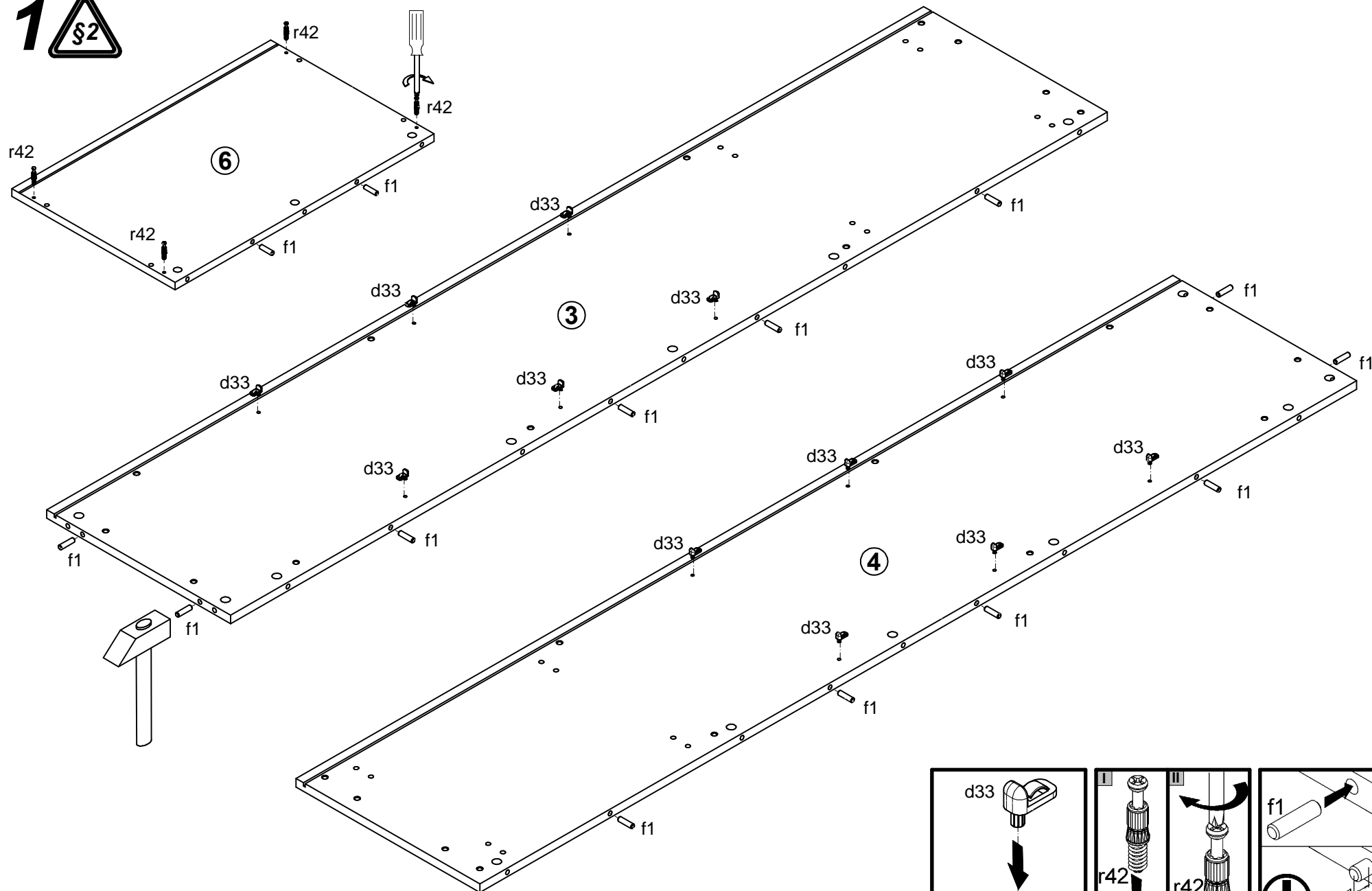


A	B	C (mm)	D	
1	S228-001	514	192	2/2
2	S228-002	1346	514	2/2
3	S228-101	1914	401	2/2
4	S228-102	1914	401	2/2
5	S228-103	388	381	1/2
6	S228-201	636	401	1/2
7	S228-301	604	381	1/2
8	S228-302	604	381	1/2
9	S228-304	597	371	1/2
10	S228-401	522	60	1/2
11	S228-5501	681	80	1/2
12	S228-5502	520	80	1/2
13	S228-5503	602	40	1/2
14	S228-5504	1910	80	2/2
15	S228-5505	1910	80	2/2
16	S228-5506	401	80	1/2
17	S228-5507	1920	58	2/2
18	S228-5508	285	80	1/2
19	S228-5509	1910	58	2/2
20	S228-901	1840	614	2/2
21	WSP-945	492	358	1/2
22	WSQ4-505	350	140	1/2
23	WSQ4-506	350	140	1/2
24	WTQ-5050	482	127	1/2

cm

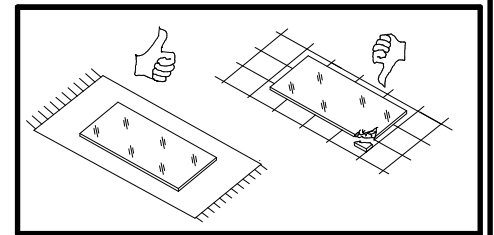
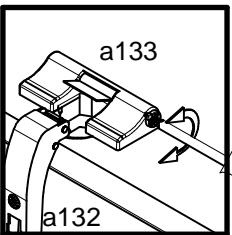
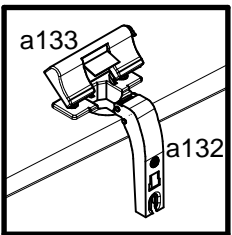
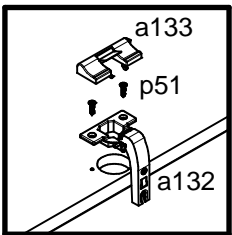
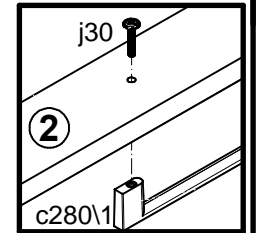
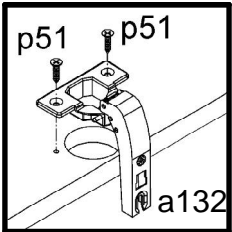
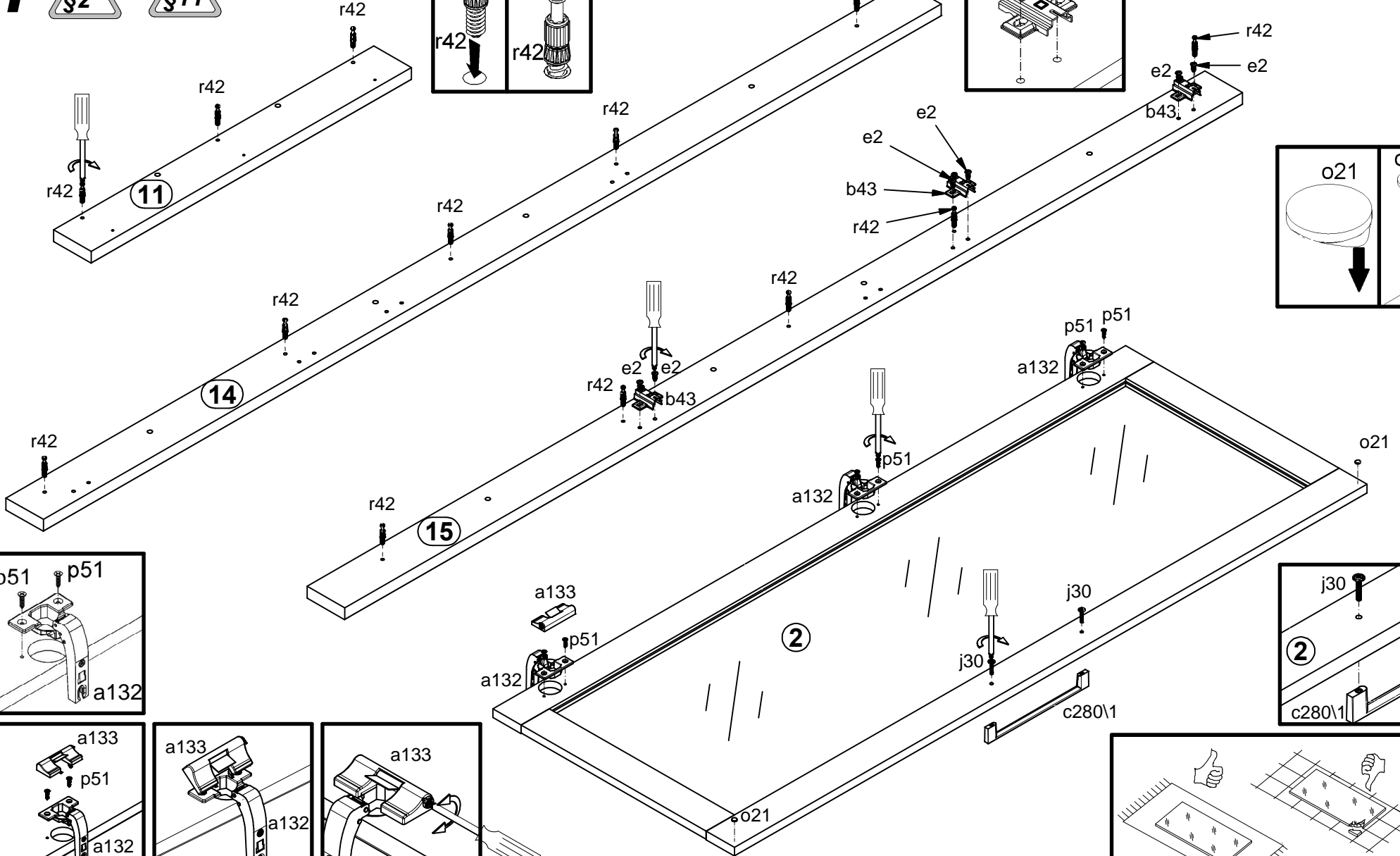
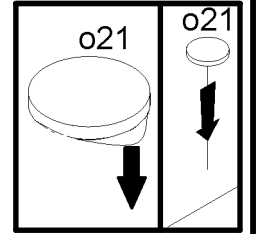
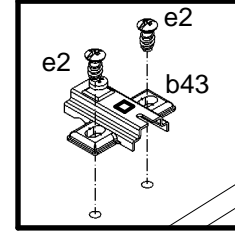
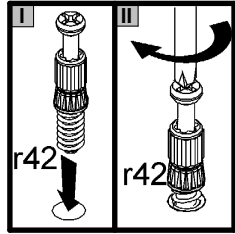
3x a132	1x a133	3x b43 ^{D4}																											
3x c280\1 192mm	12x d33	2x d36	8x e1 Ø7x50 mm	6x e2 Ø6.3x13 mm	16x e3 Ø6x13 mm	24x e22 Ø7x28 mm	34x f1 Ø8x30 mm	16x f13 Ø8x20 mm	8x f25 Ø6.5x40 mm	6x j30 M4x22 mm	6x k1	2x k101 83x83x11																	
12x l1	17x l2	2x silikon o21	3x o85\1	1x o80\3	1x o80\4	3x p9 Ø4x30 mm	2x p25 Ø3.5x16 mm	2x p35 Ø3.5x10 mm	12x p38 Ø3.5x16 mm	10x p51 Ø3.5x15 mm	4x p79 Ø3.5x20 mm	17x r1 Ø15x12 mm #16																	
8x r15 Ø12x10.5 mm #12	25x r42 20\11	16x s1	15x s2 Ø16	2x t35 350 mm	2x W117\L 350 mm	2x W117\P 350 mm	1x z1	1x f35 Ø10x50 mm	1x n14 81x21x15/1.5	1x p17 Ø5x60 mm	2x p38 Ø3.5x16 mm																		

1 

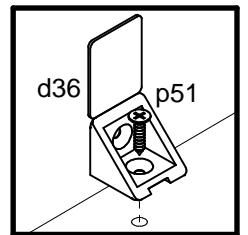
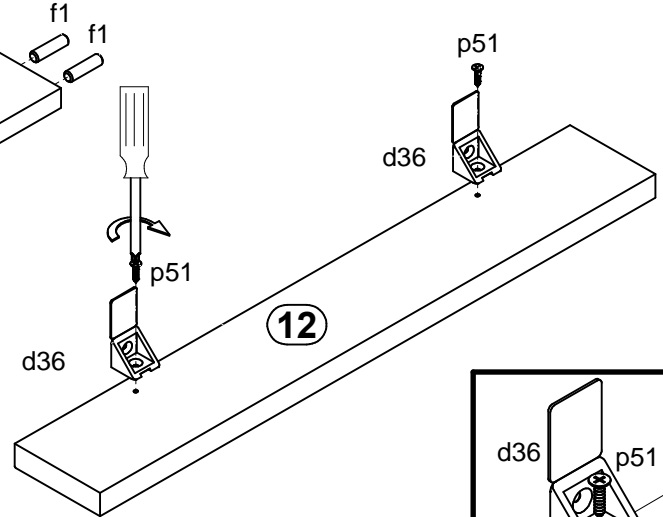
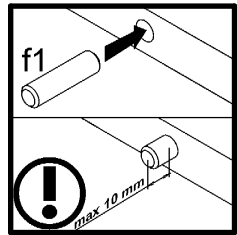
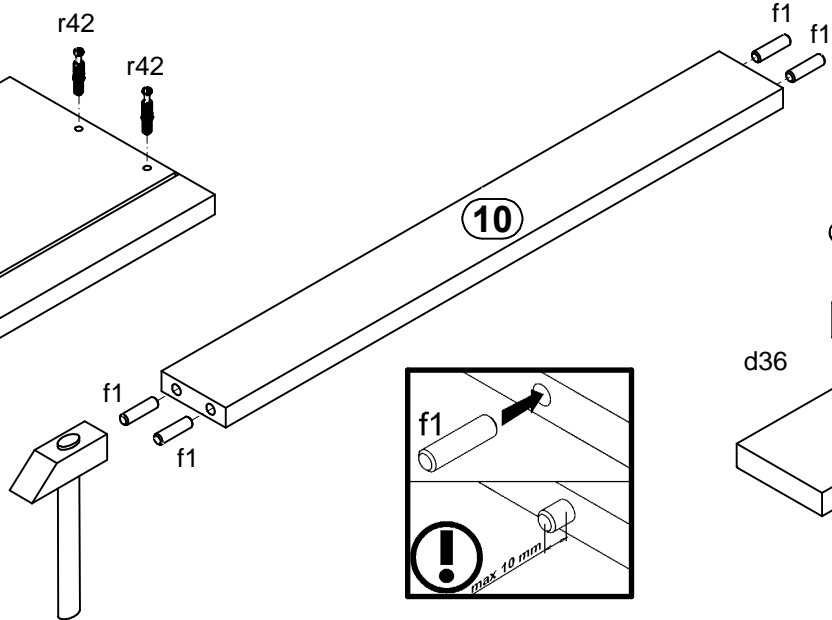
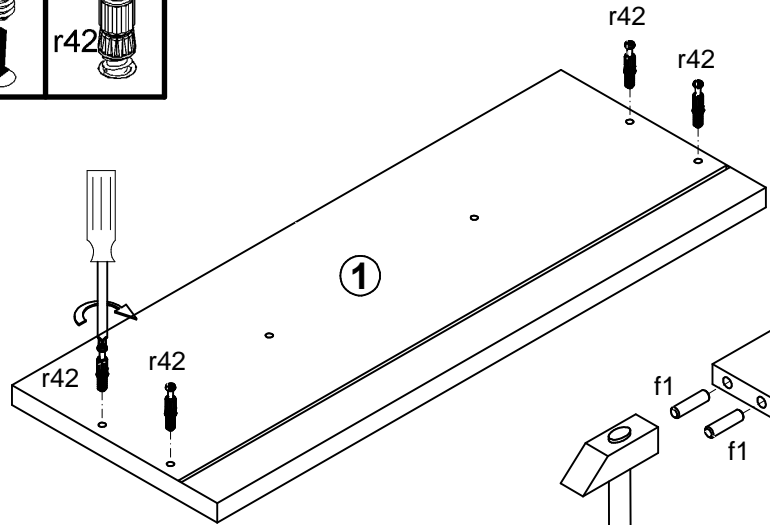
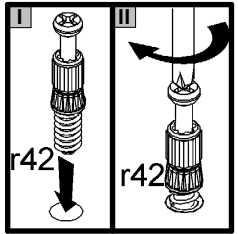
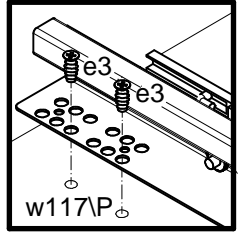
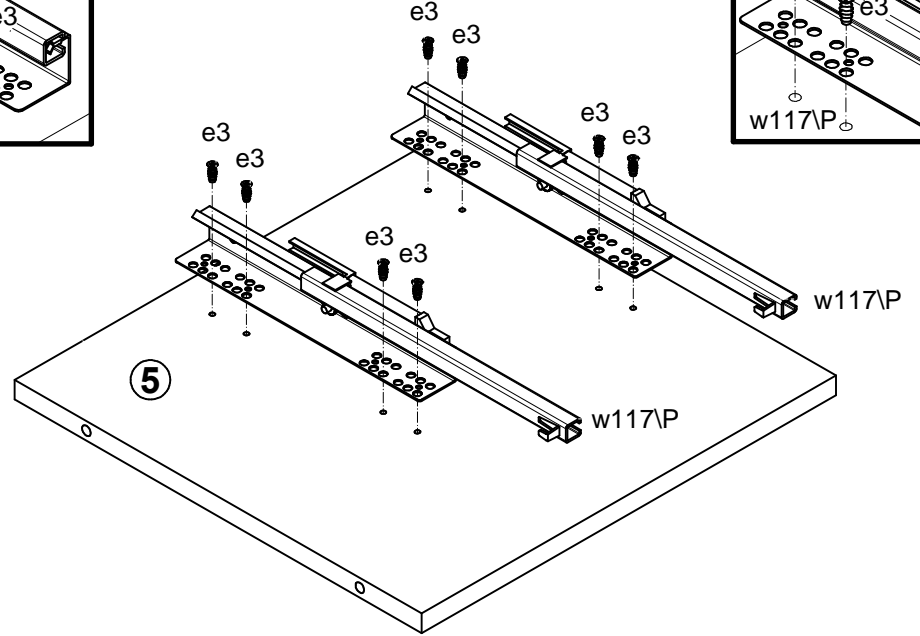
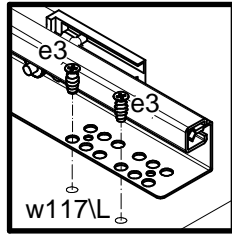
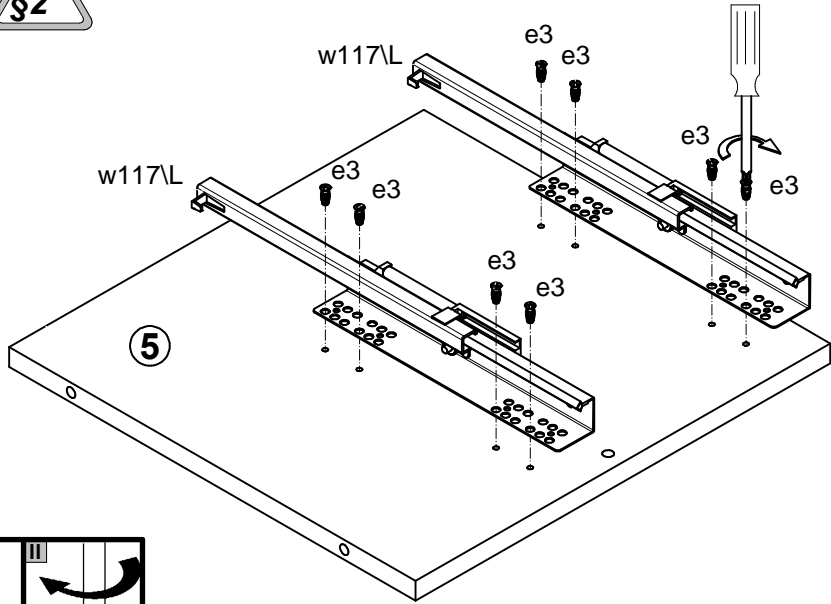


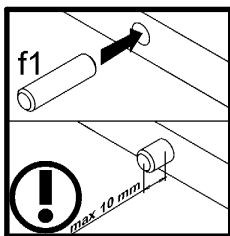
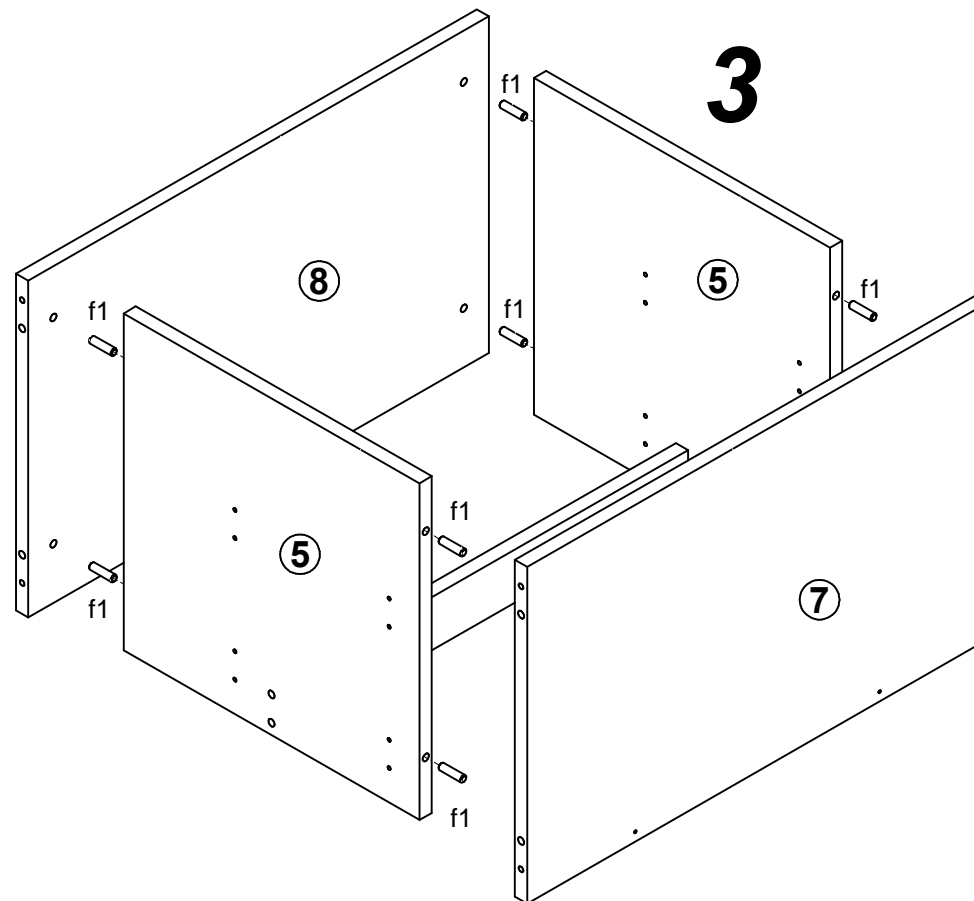
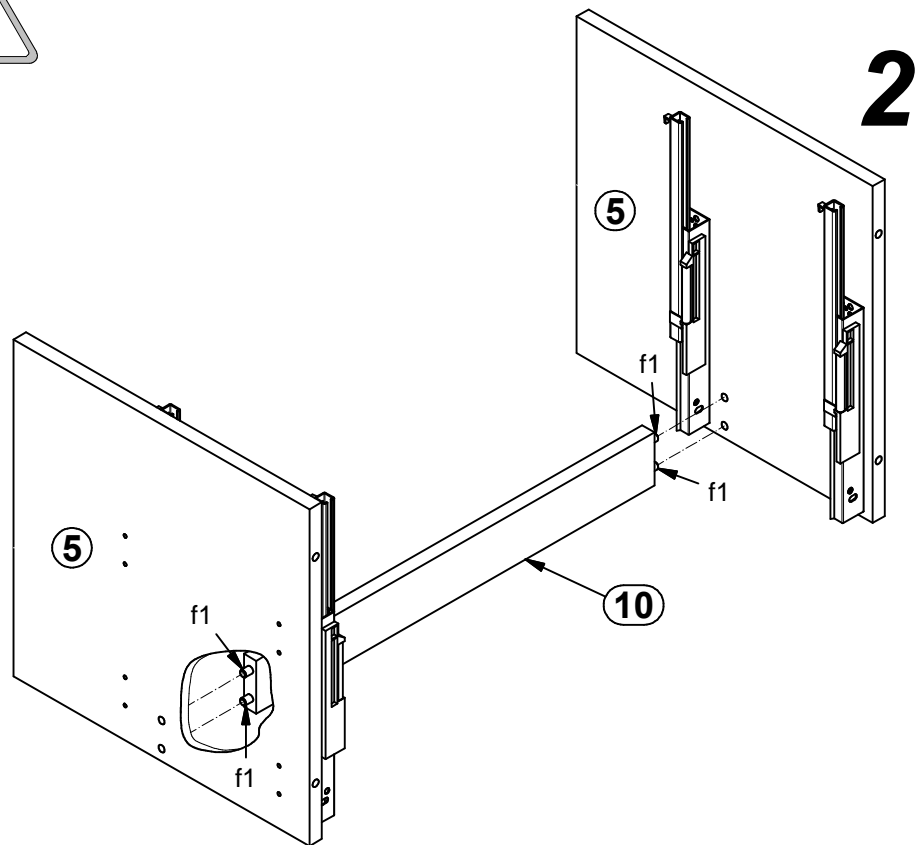


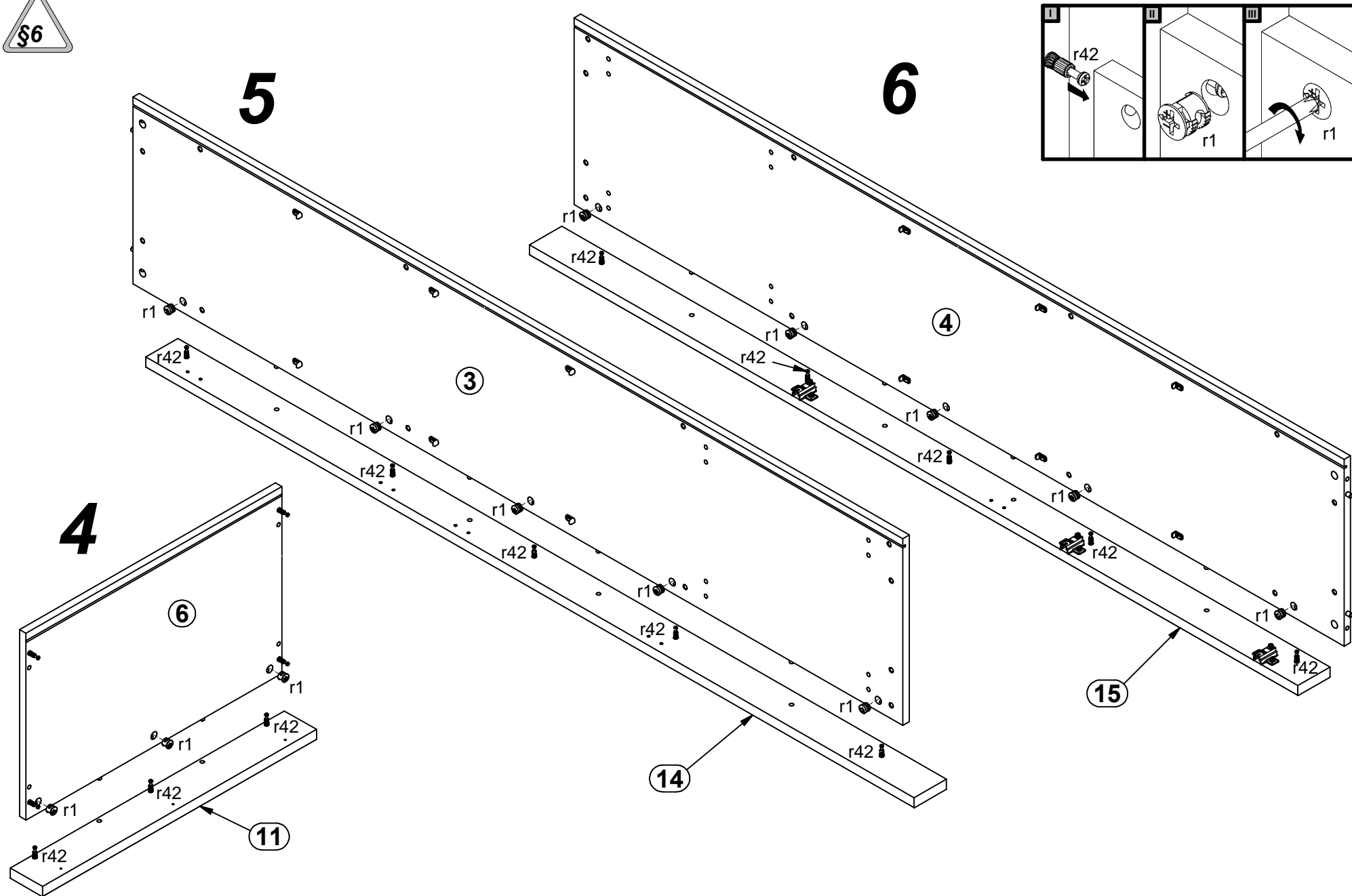
1

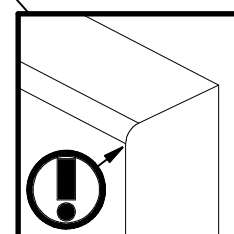
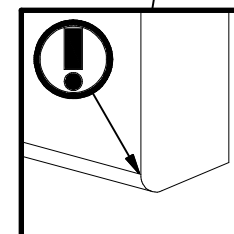
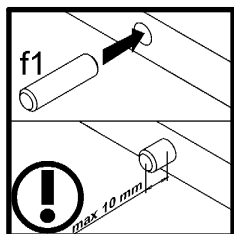
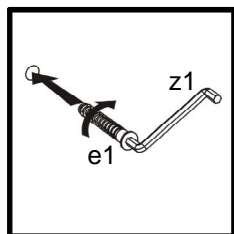
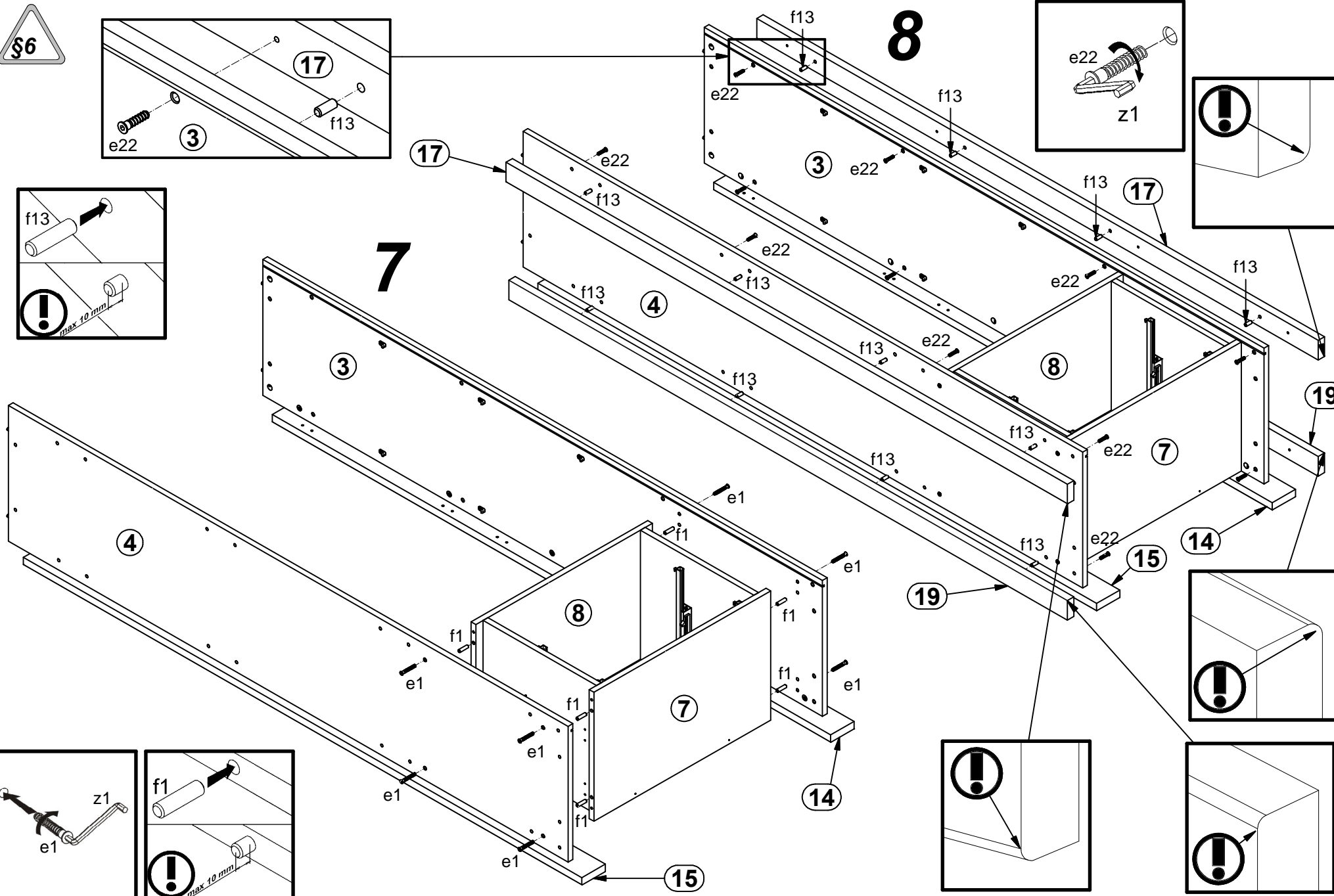
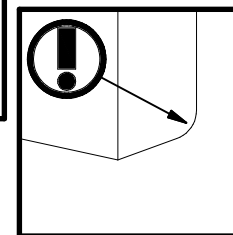
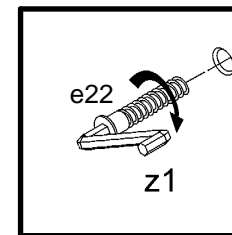
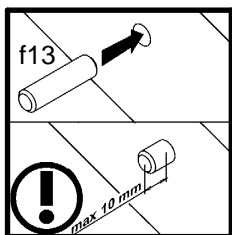
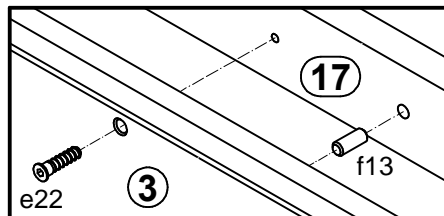


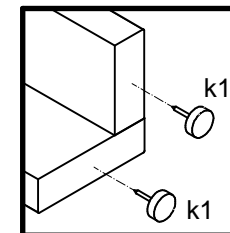
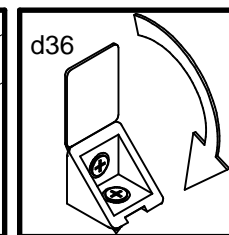
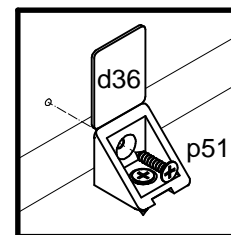
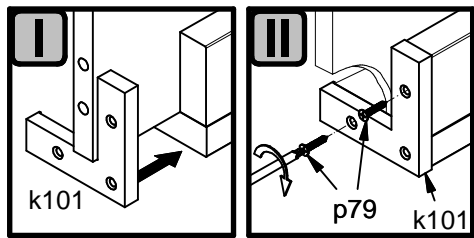
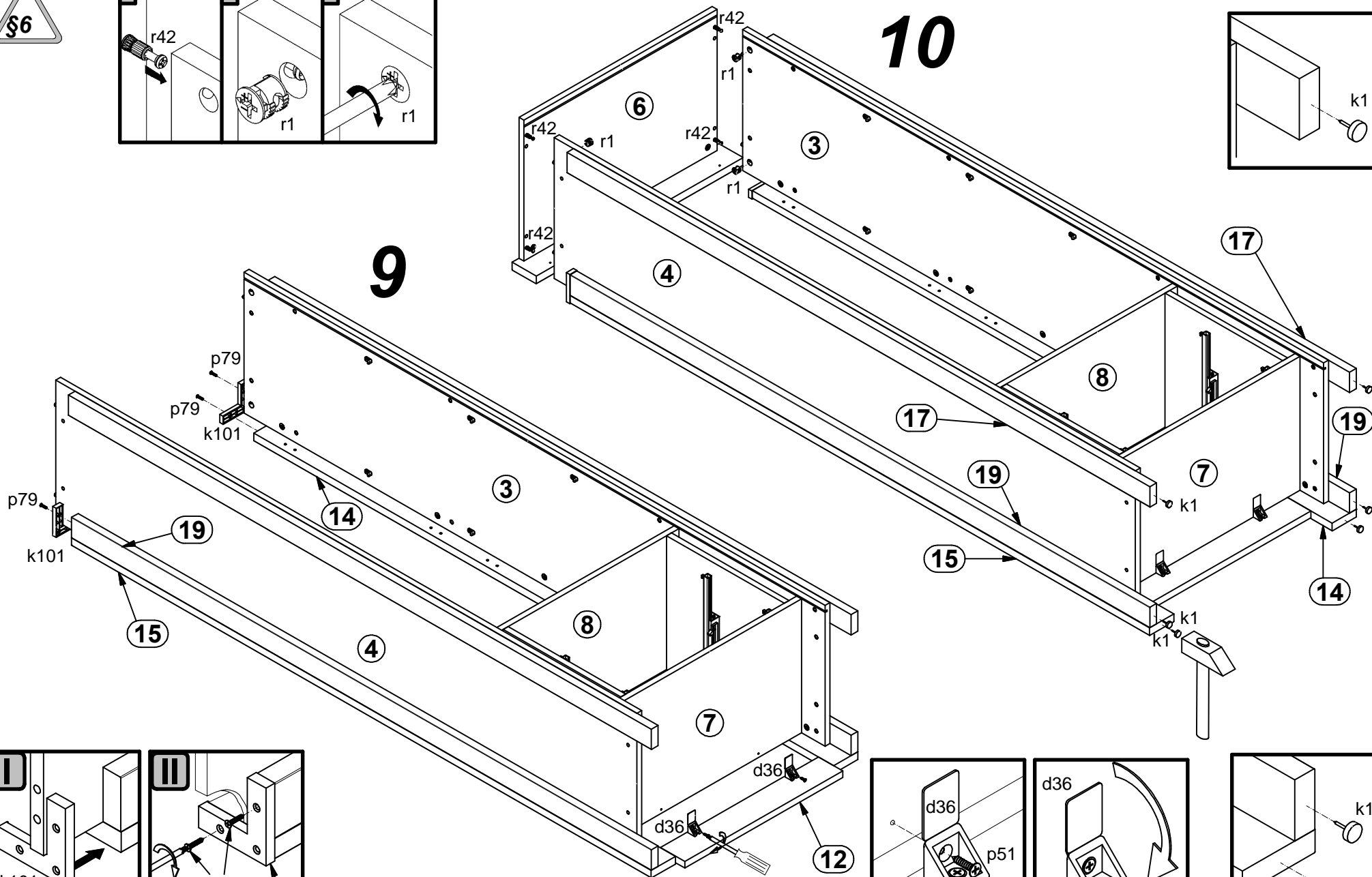
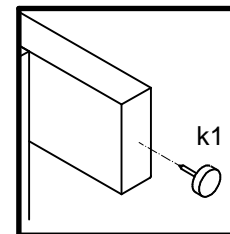
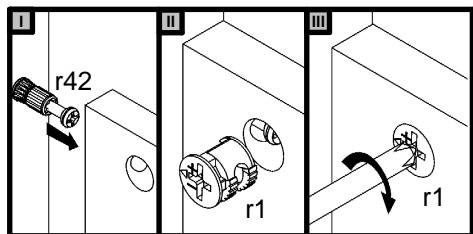
1 

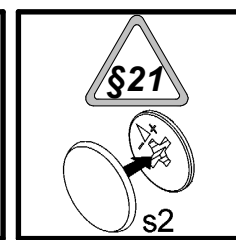
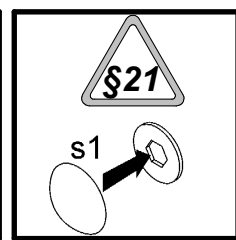
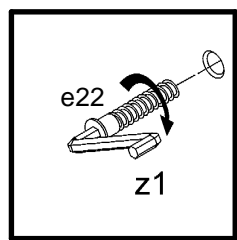
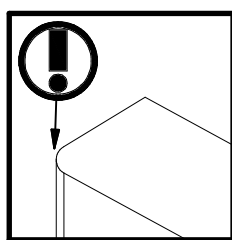
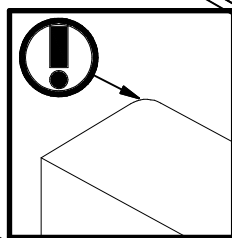
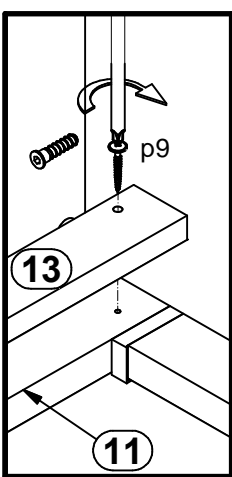
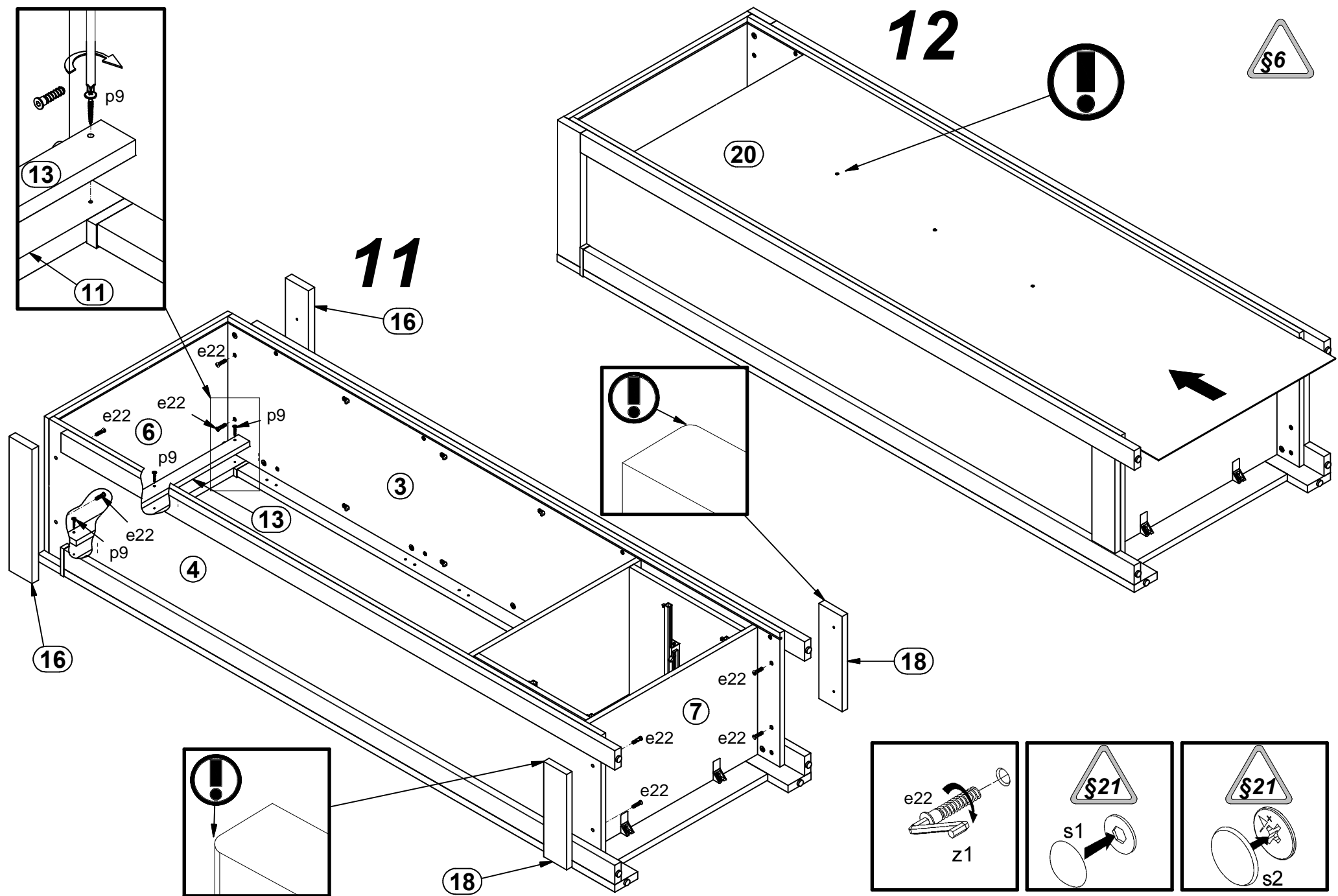


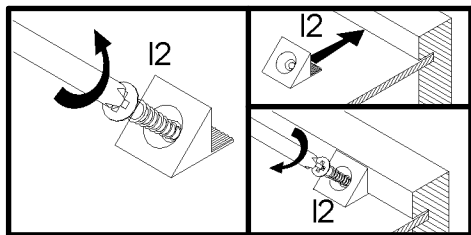




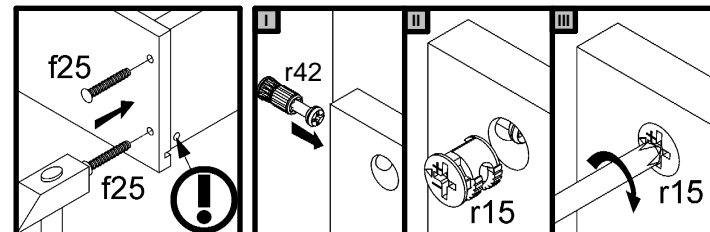
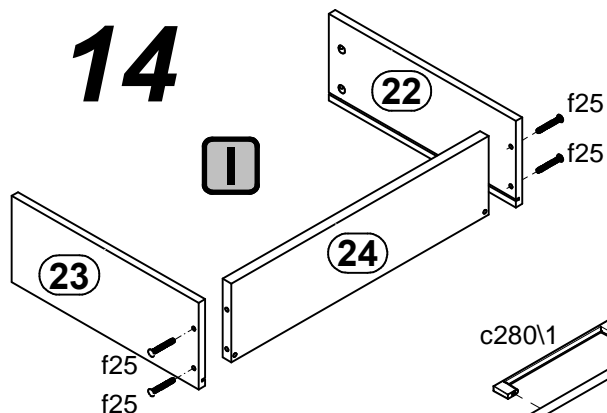




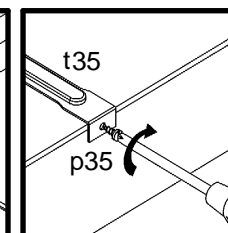
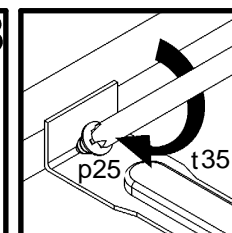
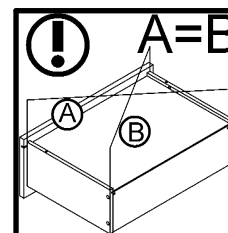
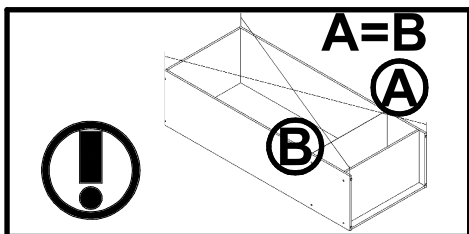
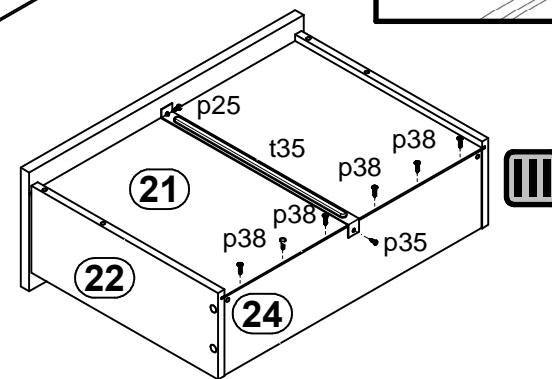
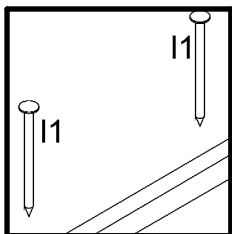
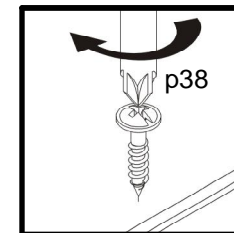
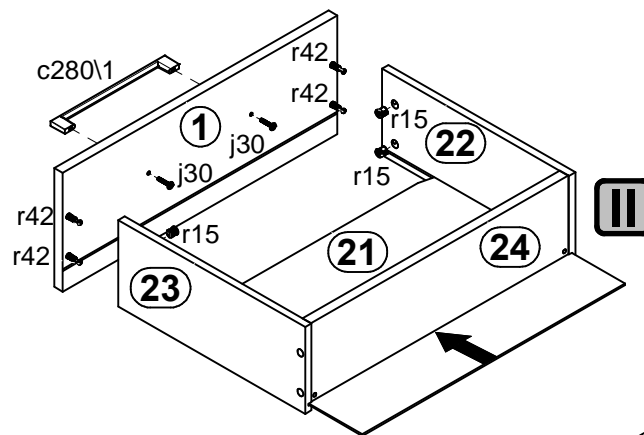
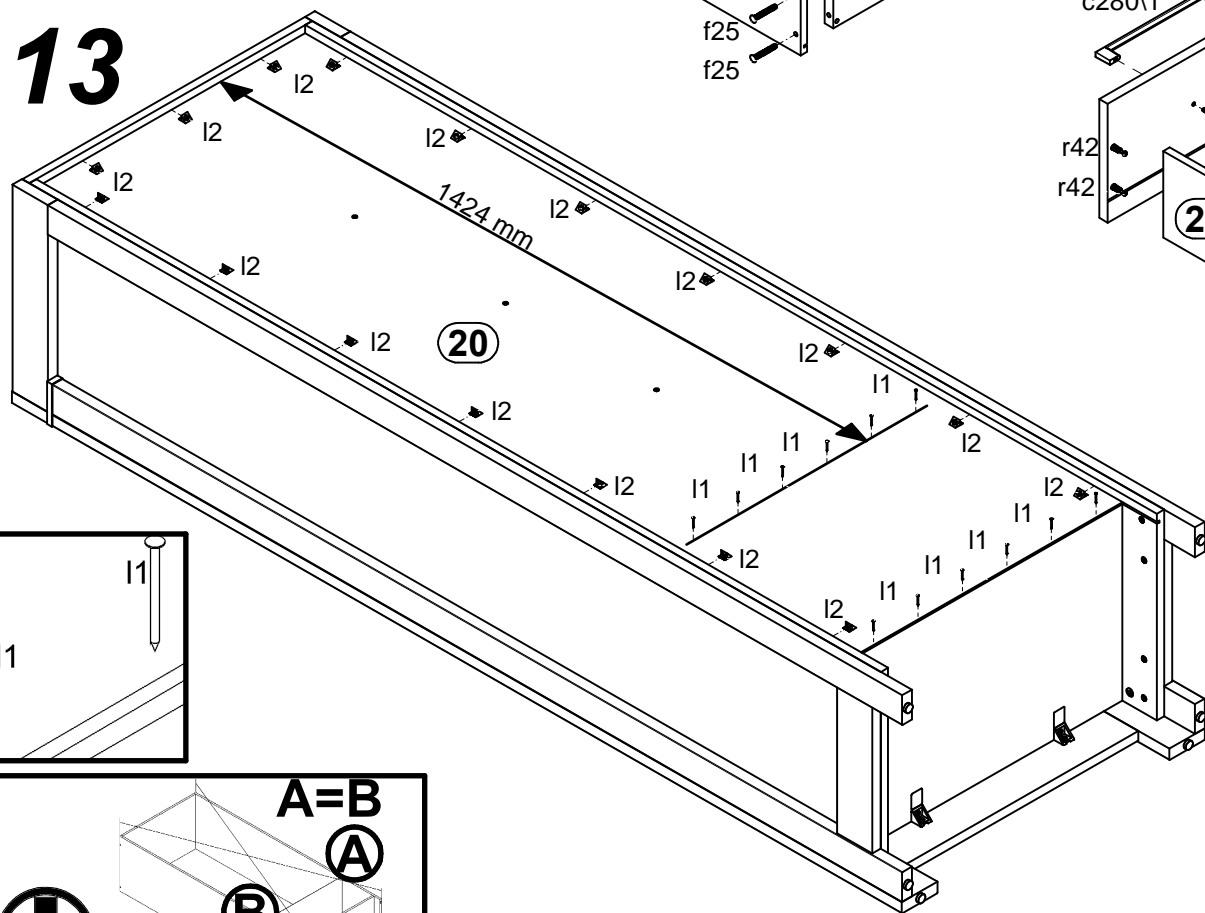




14



13



15

