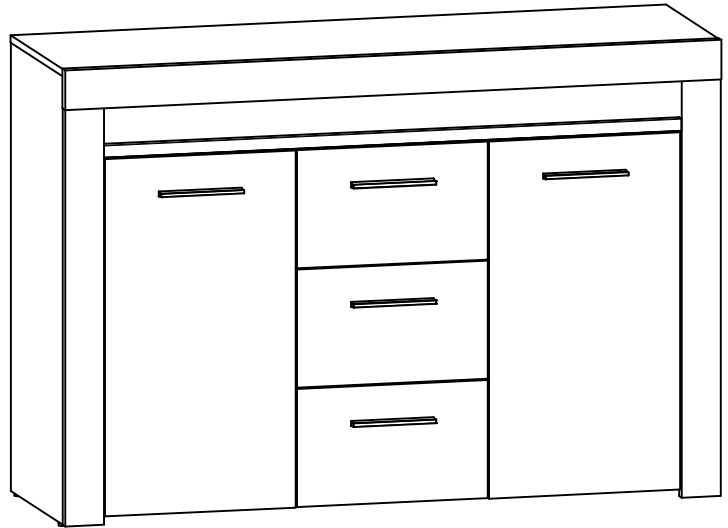
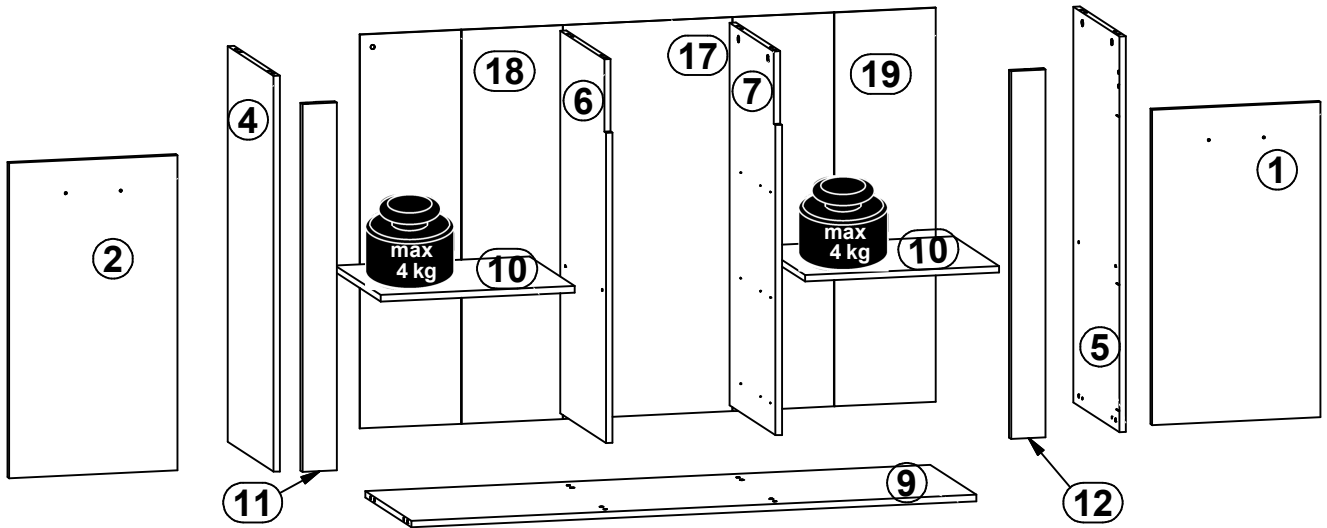
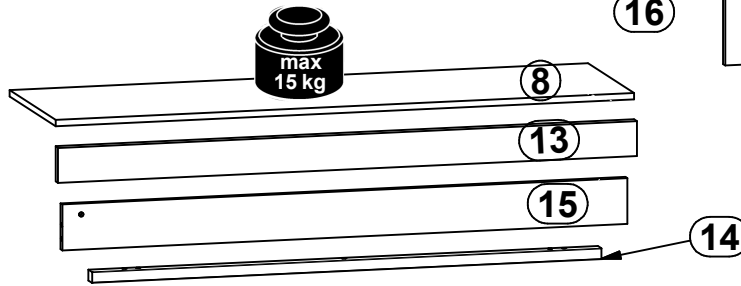
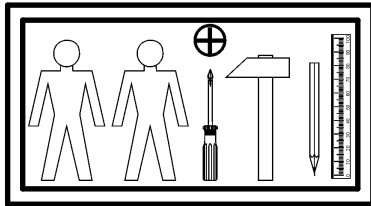
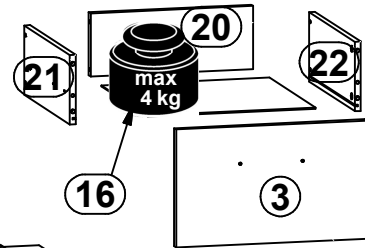


A	B	C	D
1	S415-0003	720	392, 1/2
2	S415-0004	720	392, 1/2
3	S415-0005	392	238 1/2
4	S415-1005	904	400 1/2
5	S415-1006	904	400 1/2
6	S415-1007	874	400 1/2
7	S415-1008	874	400 1/2
8	S415-2002	1347	400 2/2
9	S415-3004	1316	400 2/2
10	S415-3006	452	395 2/2
11	S415-5006	840	80 2/2
12	S415-5007	840	80 2/2
13	S415-5008	1348	80 2/2
14	S415-5009	1187	32 2/2
15	S415-5010	1316	105 2/2
16	S415-9001	345	355 2/2
17	S415-9004	900	395 1/2
18	S415-9302	900	473 1/2
19	S415-9303	900	473 1/2
20	ZK3-5009	334	127 2/2
21	ZK3-511	350	140 1/2
22	ZK3-512	350	140 1/2

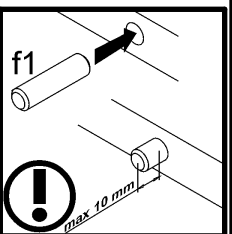
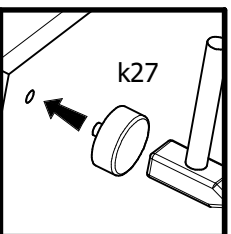
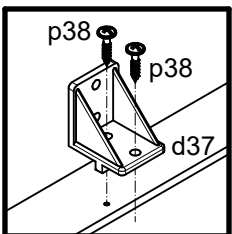
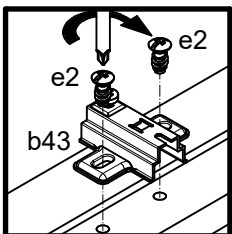
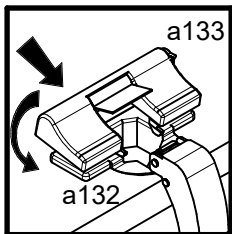
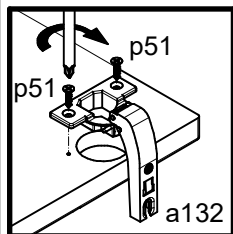
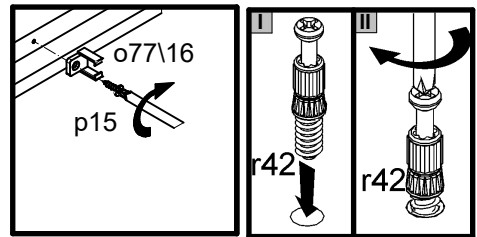
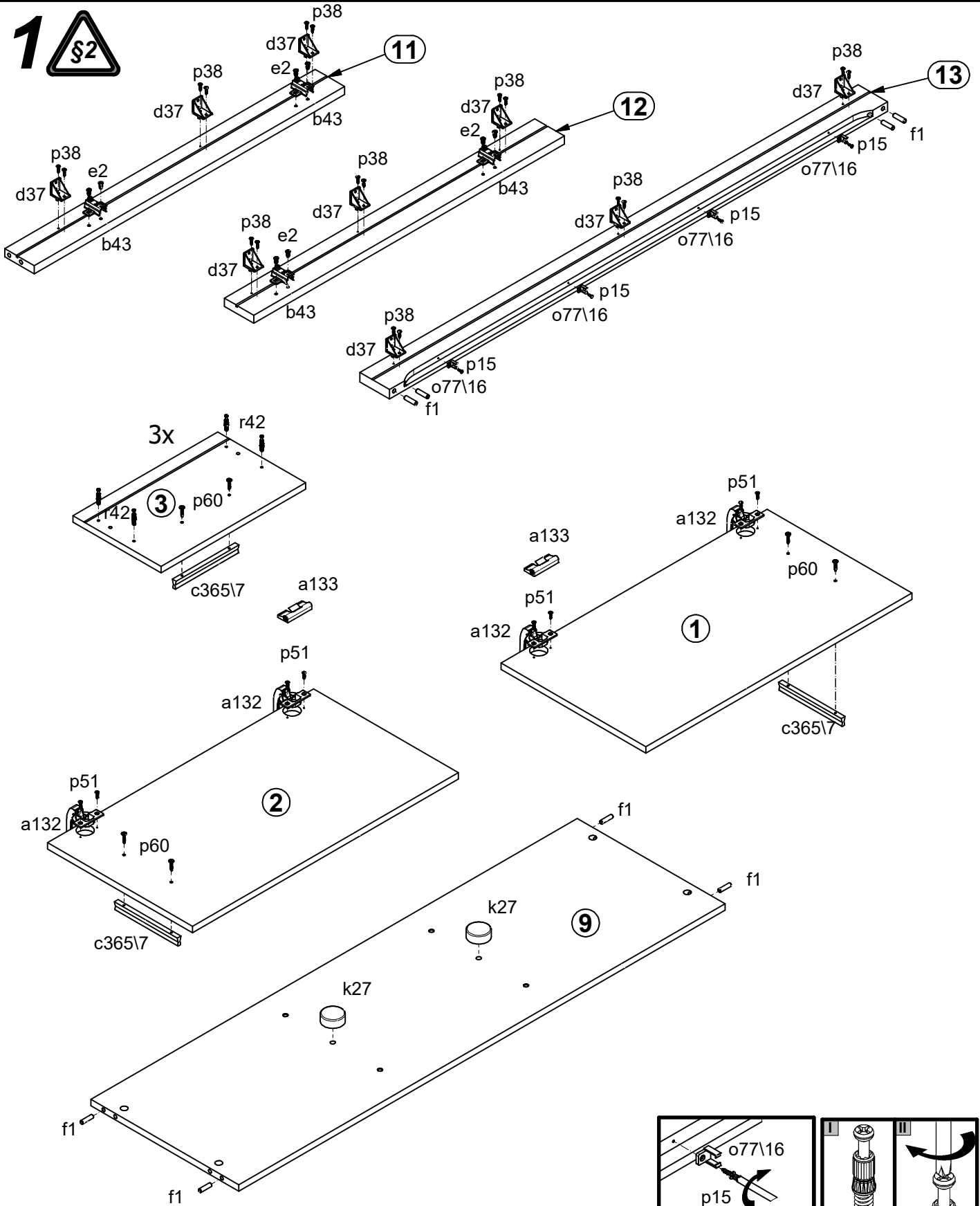


3x

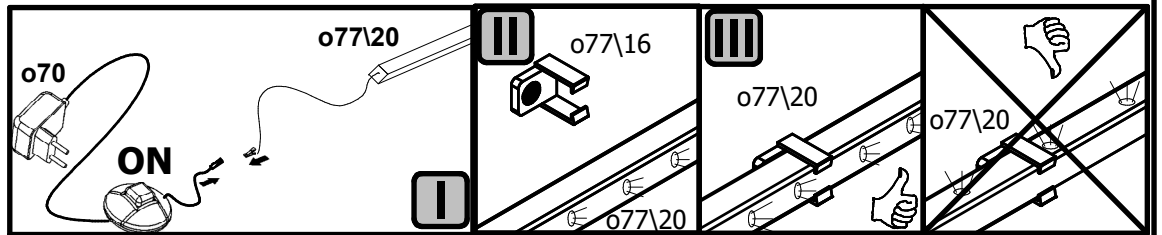
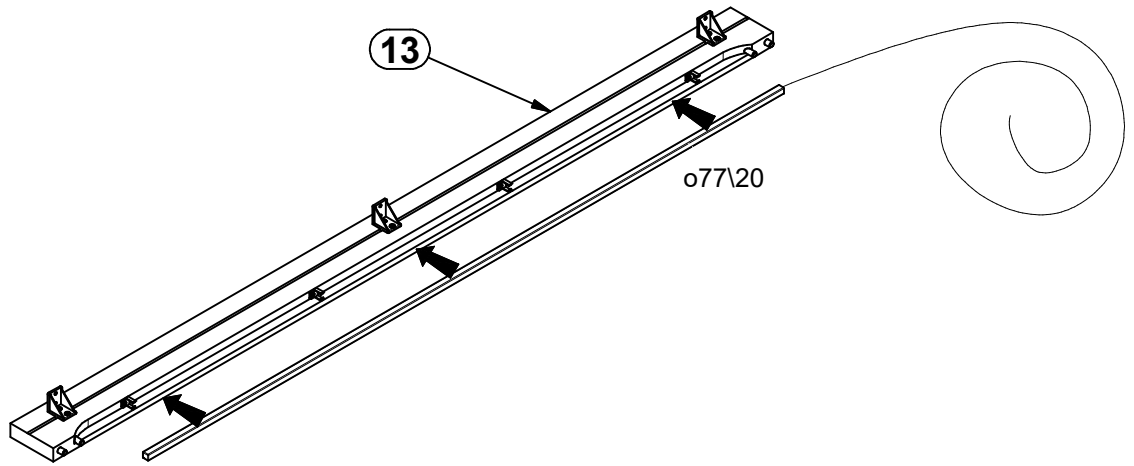


4x  a132	2x  a133	4x  b43	5x  L=170 c365/7	8x  Ø5x17 mm d1	9x  d37	7x  Ø7x50 mm e1	8x  Ø6.3x13 mm e2	26x  Ø8x30 mm f1
6x  Ø6x30 mm f9	12x  Ø6.5x40 mm f25	4x  k1	2x  k27	50x  1.4x20 mm l1	8x  22x9.5x210.7 mm n108	1x  o70/9	1x  L=190 mm 10x10 mm o77/20	4x  o77/16
1x  10x18 mm o83/4	46x  Ø3.5x16 mm p38	4x  Ø2.5x13 mm p15	8x  Ø3.5x15 mm p51	8x  Ø2.9x16 mm p55	10x  Ø4x22 mm p60	36x  Ø3.5x12 mm p140	12x  Ø15x12 mm #16 r1	12x  Ø12x10.5 mm #12 r15
24x  20/11 r42	3x  s1	6x  350/580 mm w152/1	6x  350/580 mm w152/2	1x  4 mm z1	1x  n26			

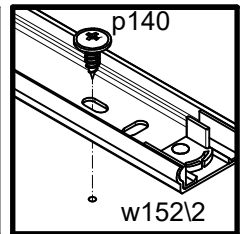
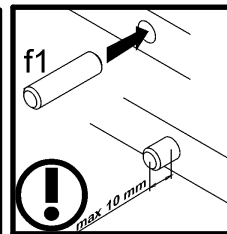
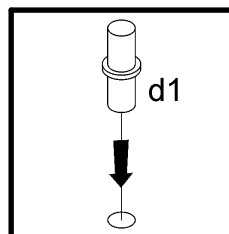
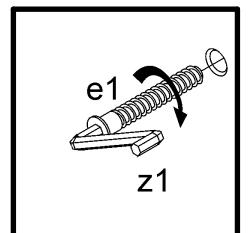
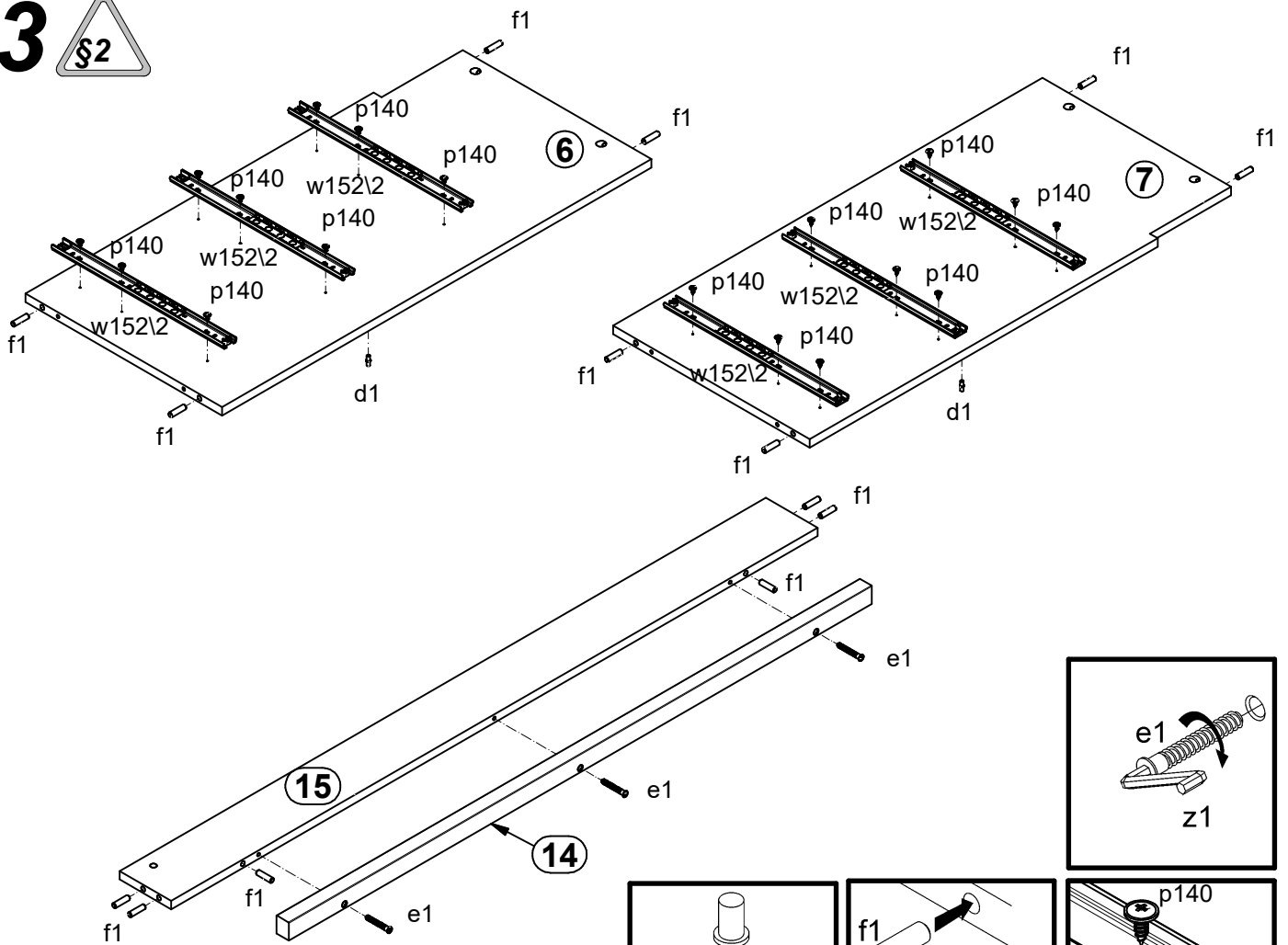
1 §2



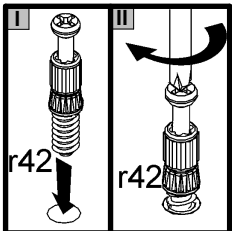
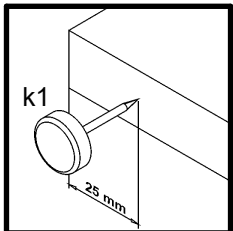
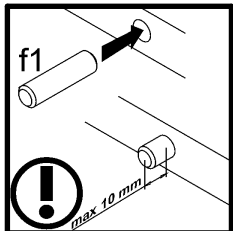
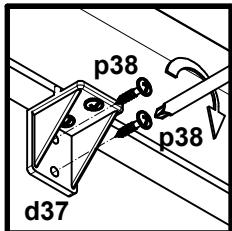
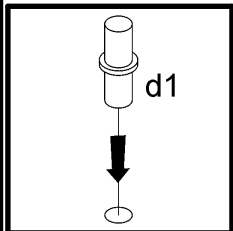
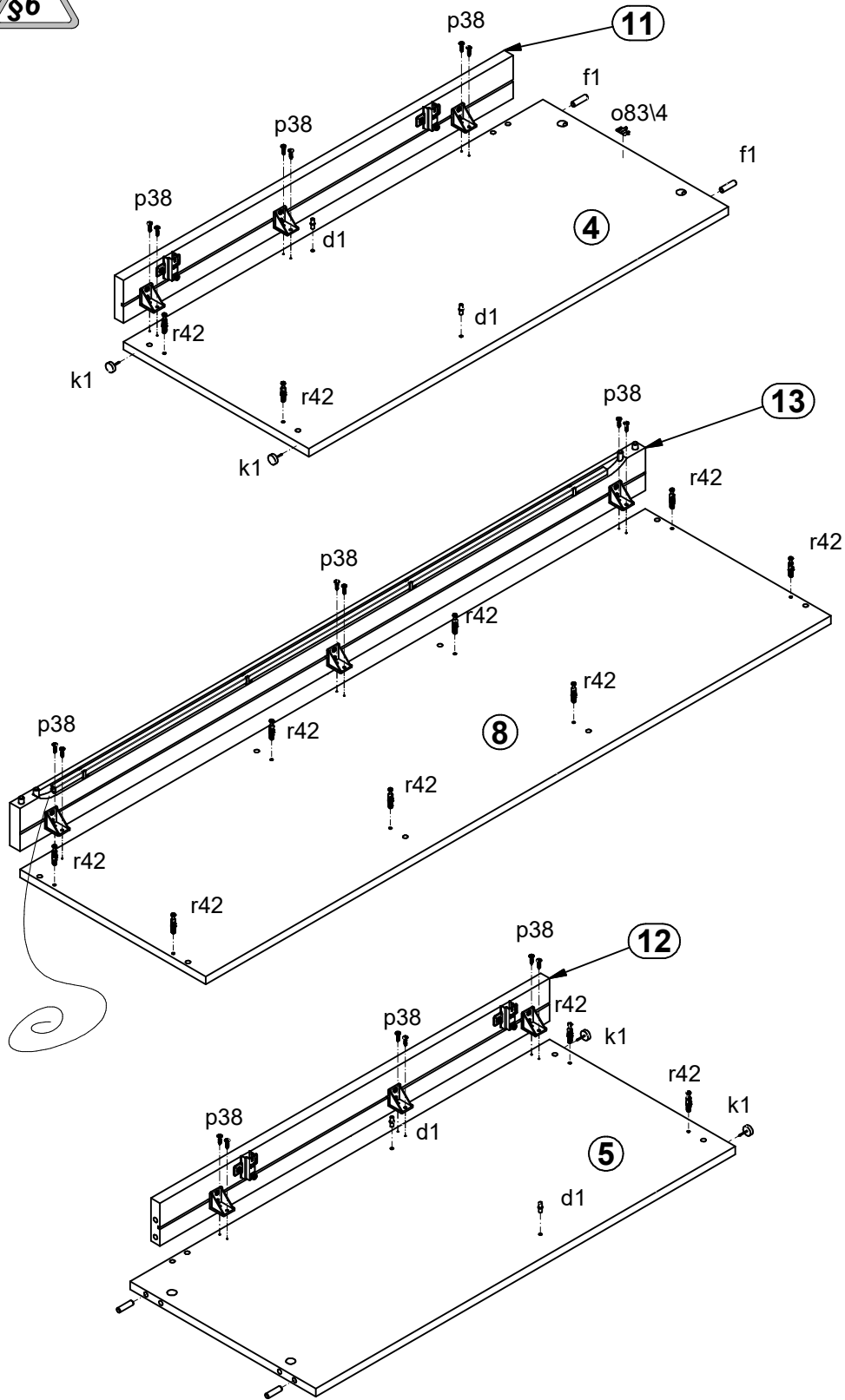
**2** 



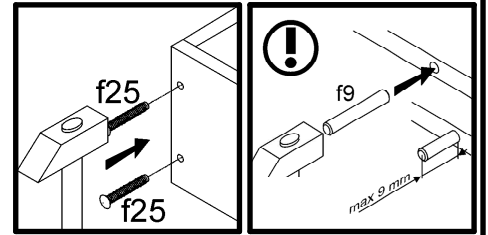
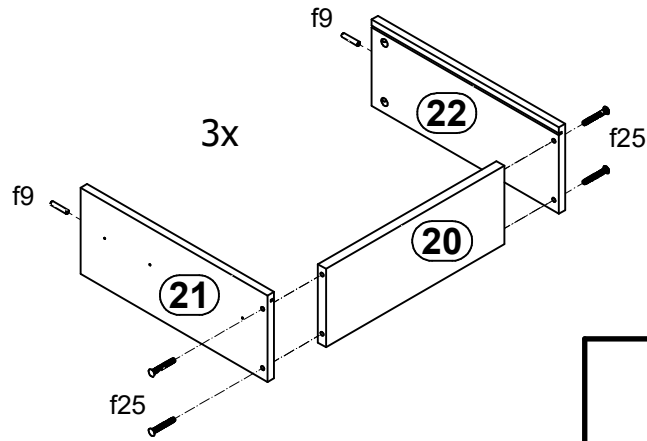
**3** 



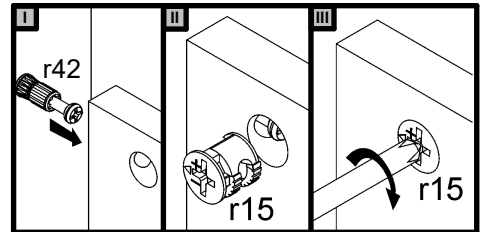
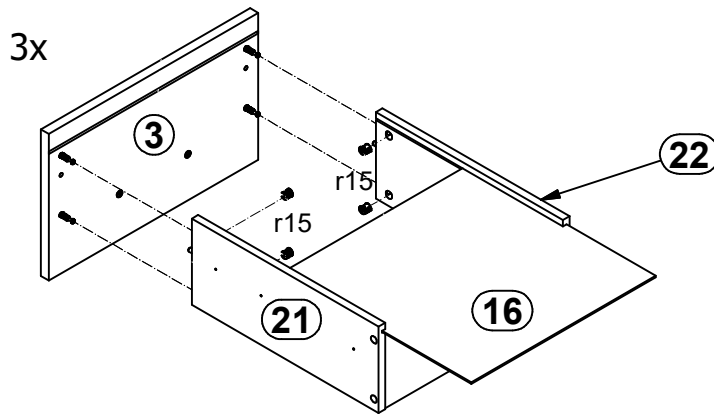
# 4



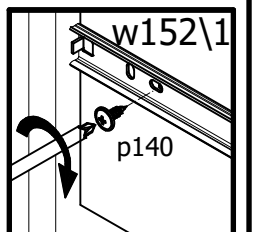
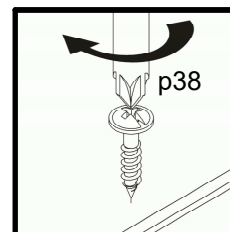
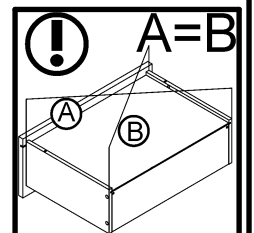
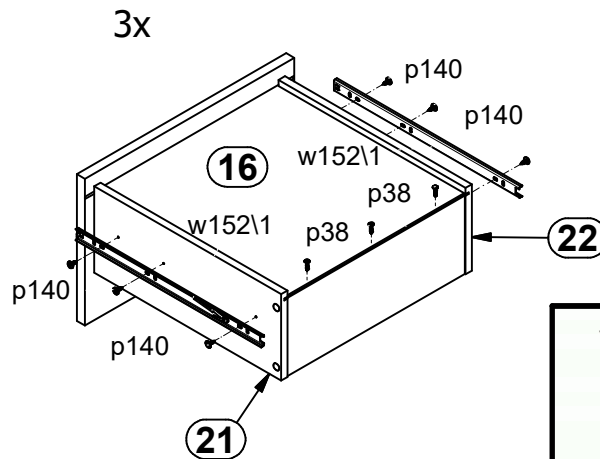
# 5



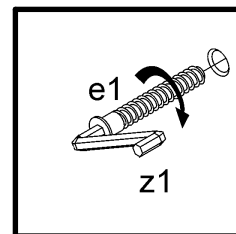
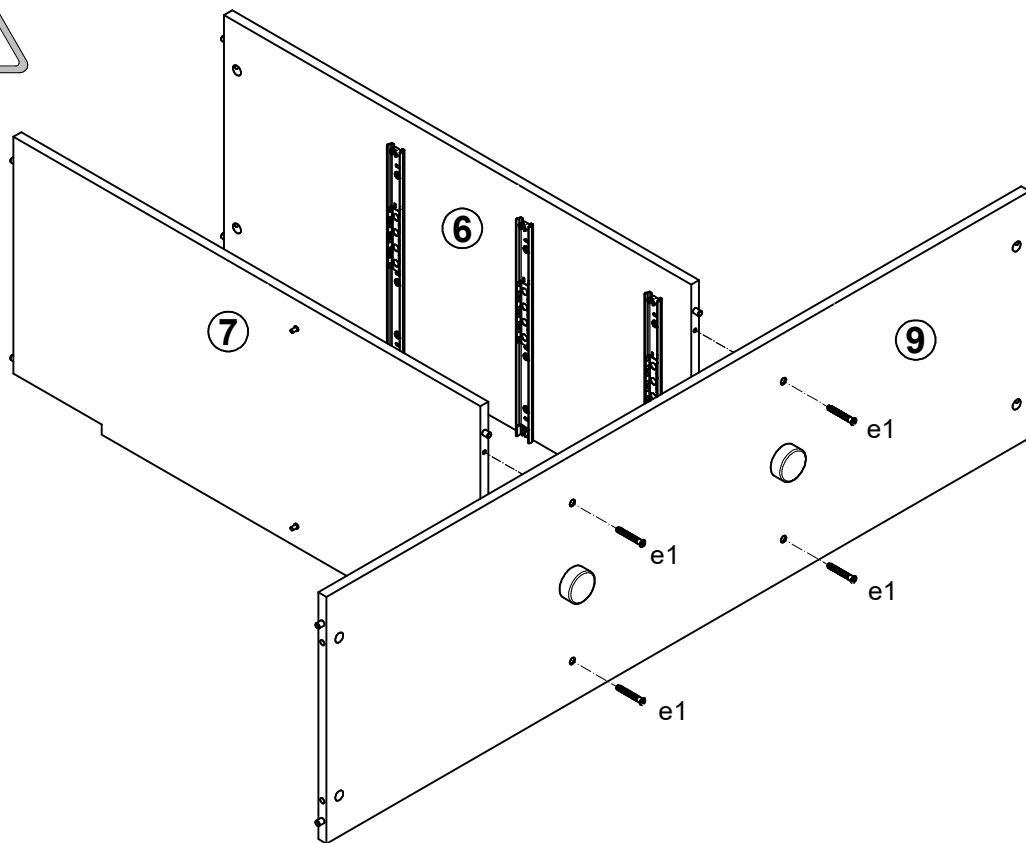
# 6



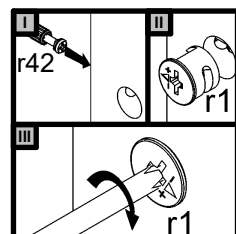
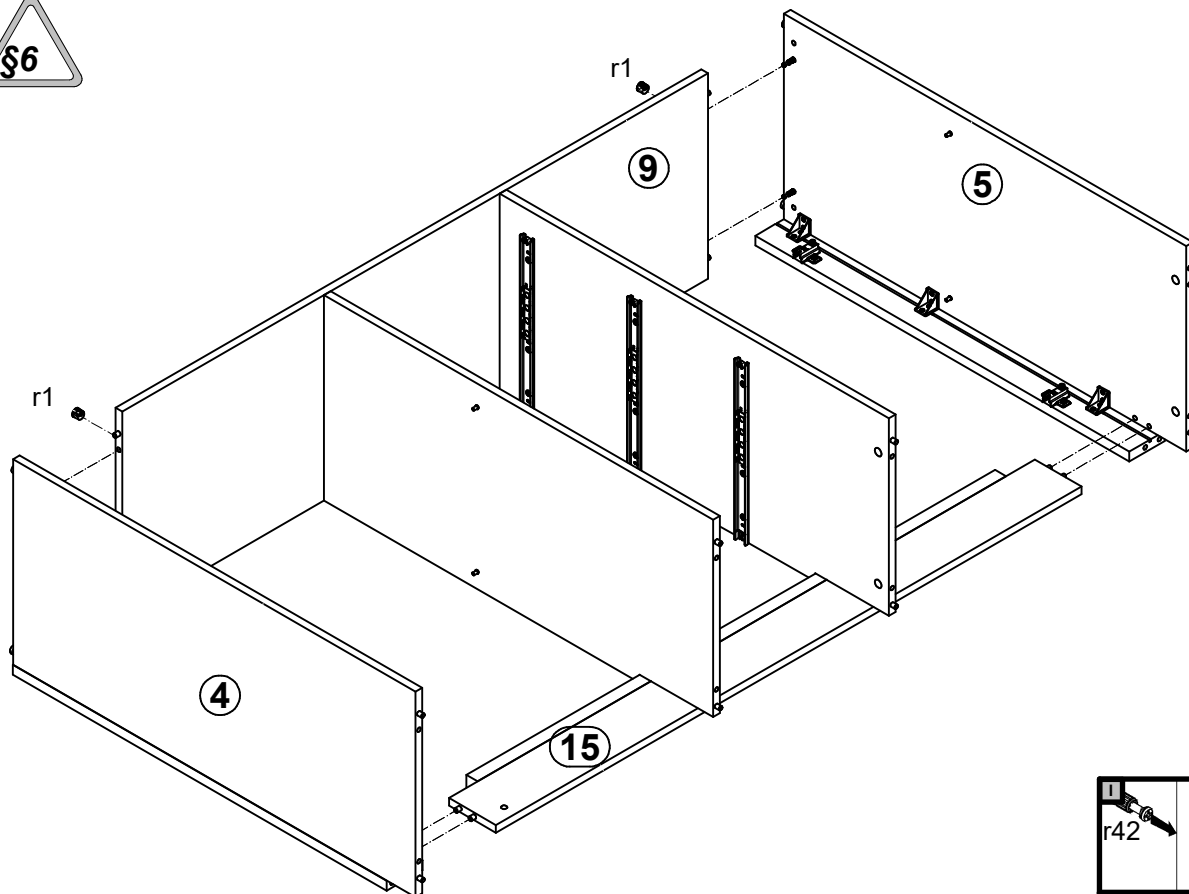
# 7



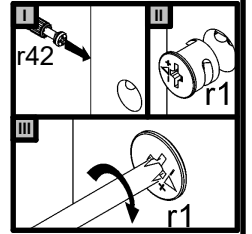
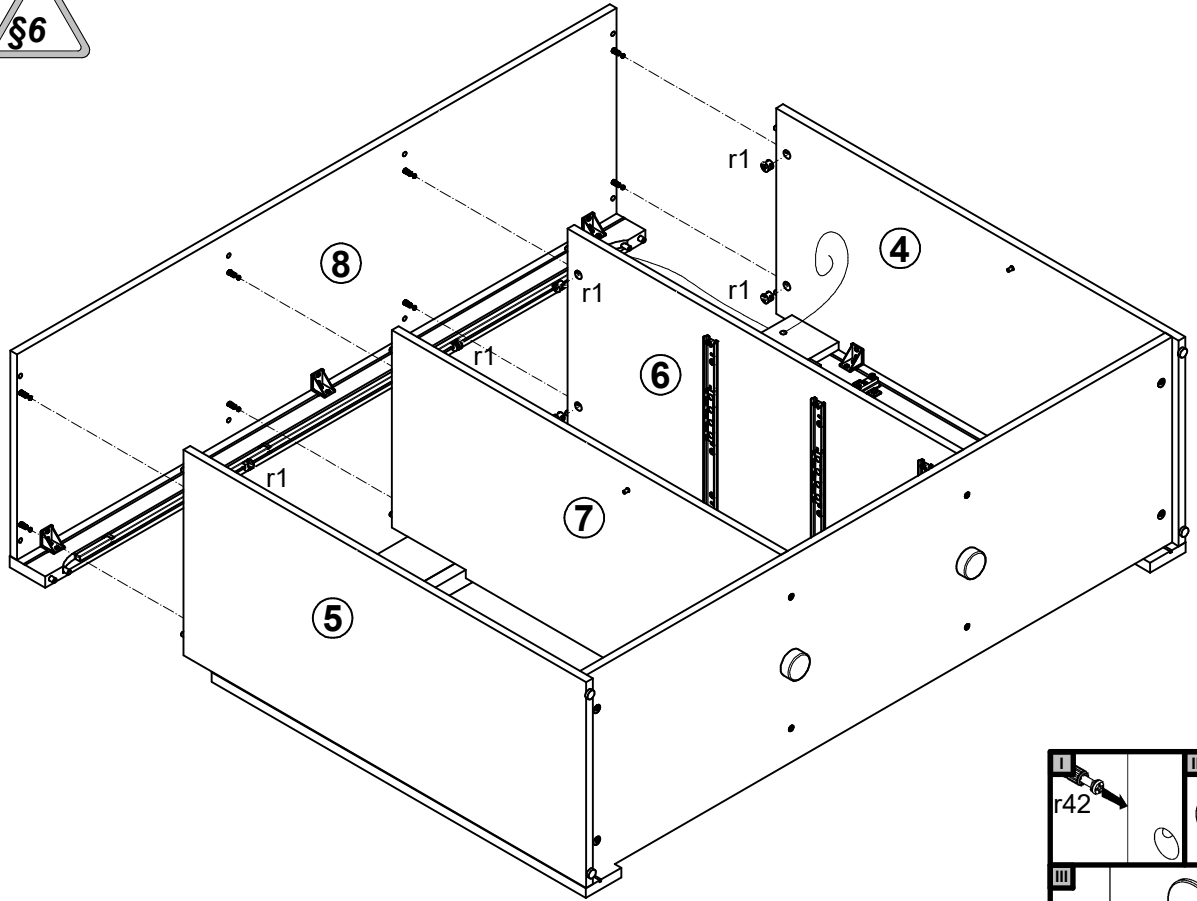
8 §6



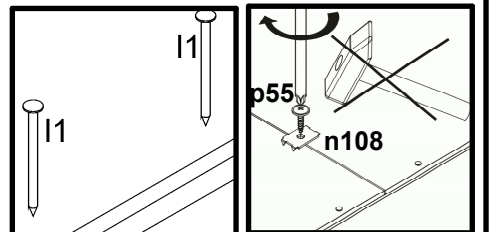
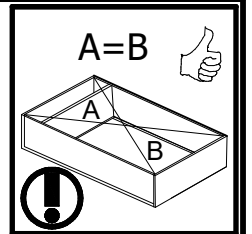
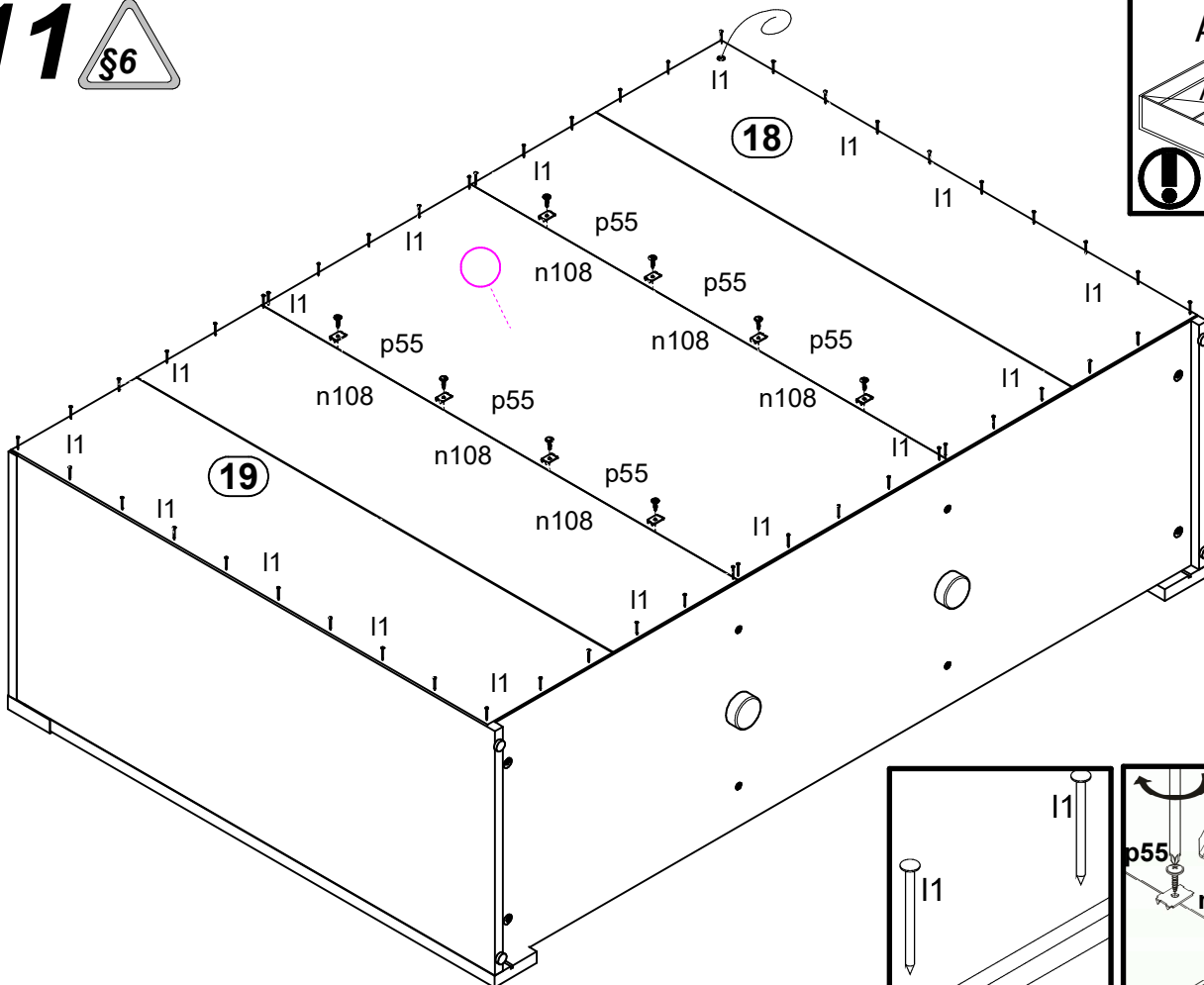
9 §6



# 10



# 11



# 12

