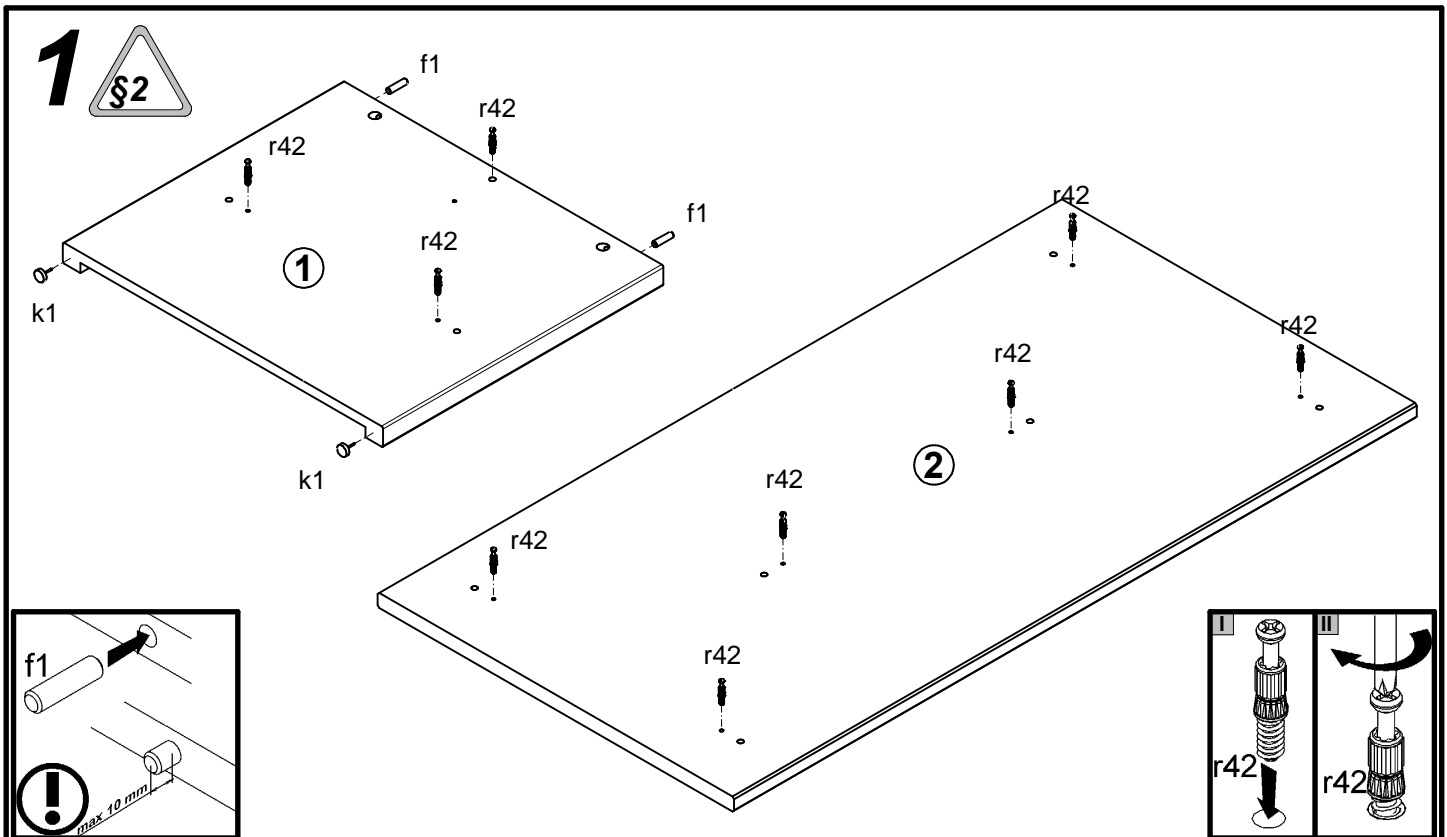
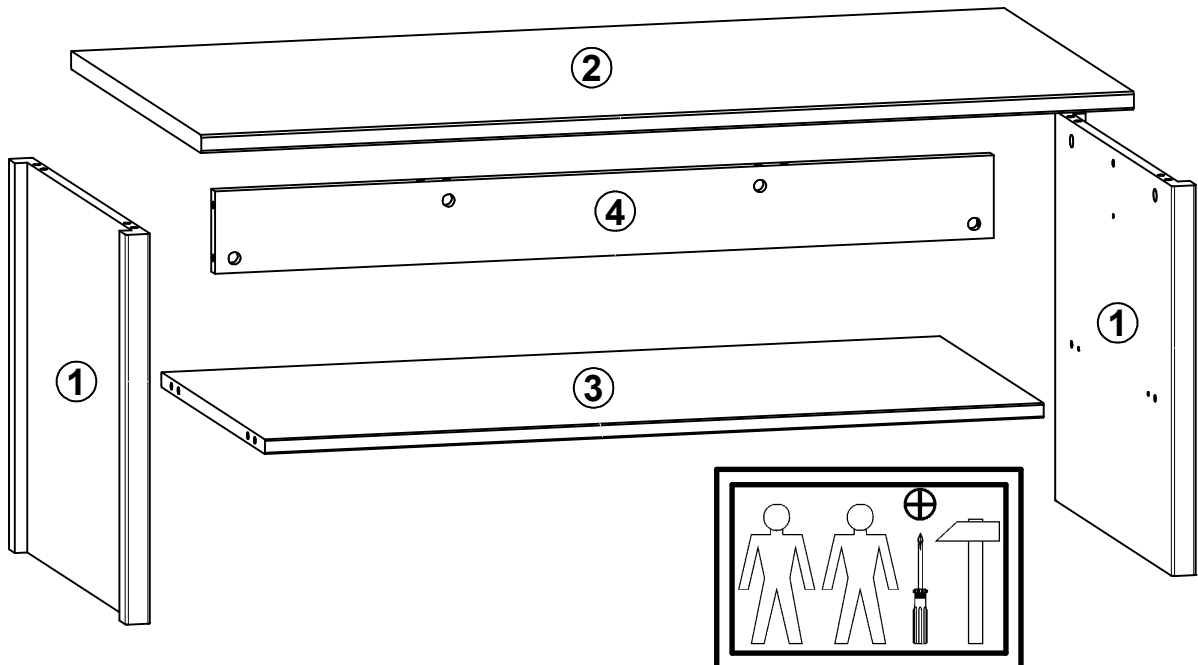
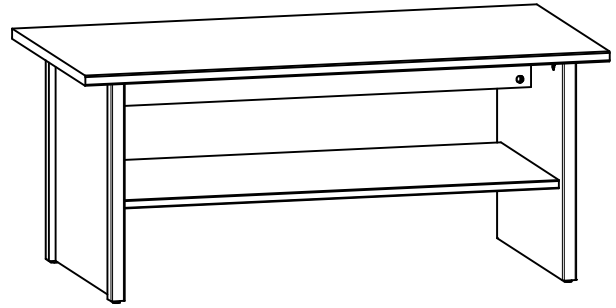


**A**

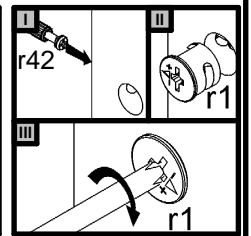
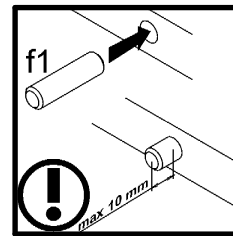
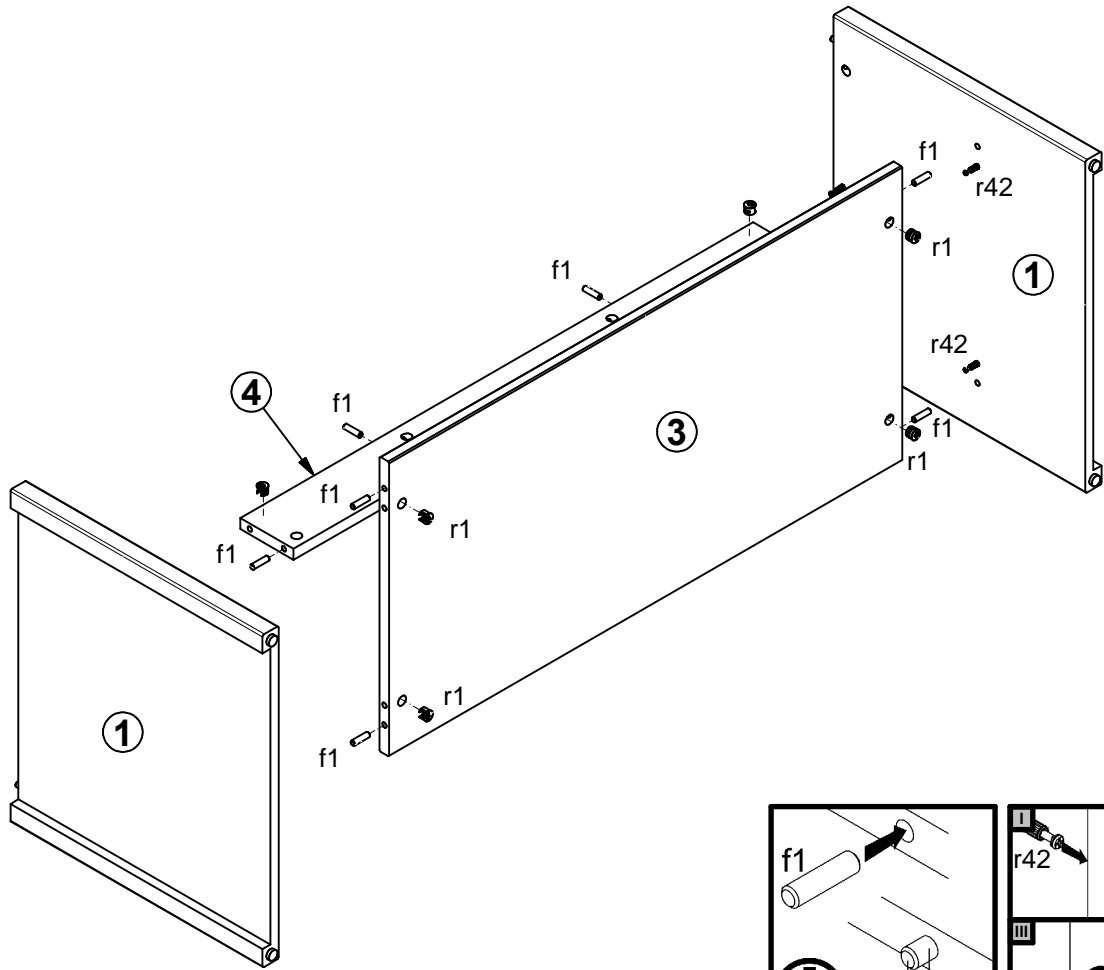
# PORTO

**S322-LAW/115**

| A | B        | C    | D   |     |
|---|----------|------|-----|-----|
| 1 | S322-135 | 472  | 540 | 1/1 |
| 2 | S322-212 | 1150 | 600 | 1/1 |
| 3 | S322-319 | 960  | 478 | 1/1 |
| 4 | S322-416 | 960  | 100 | 1/1 |



# 2



# 3

