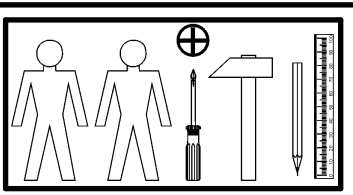
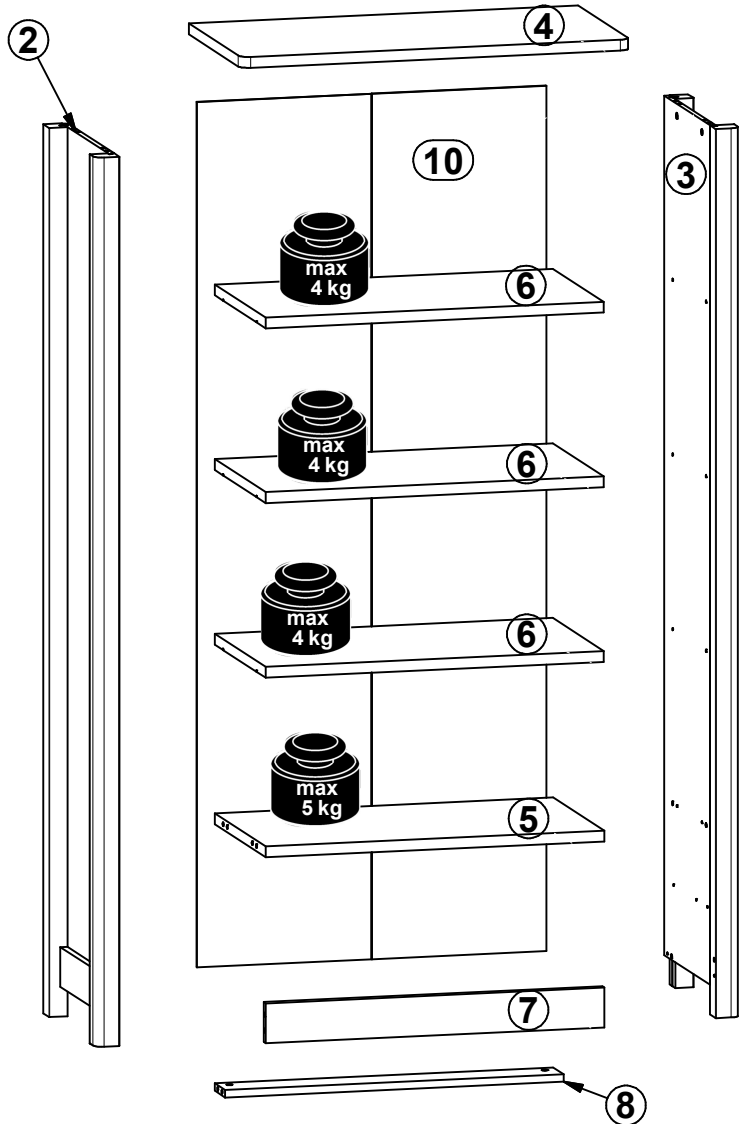
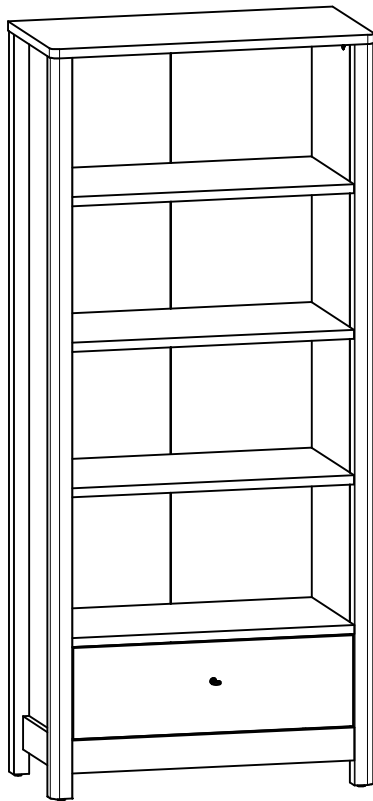
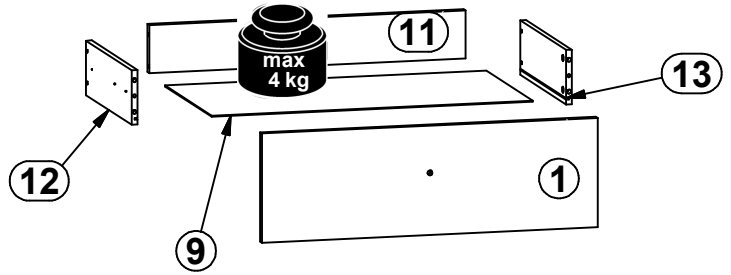
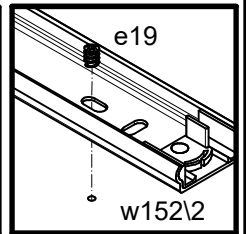
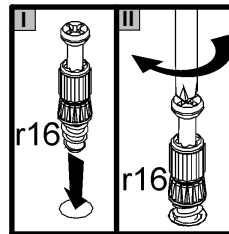
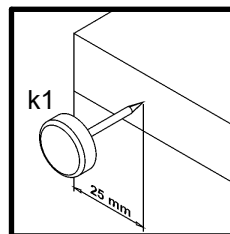
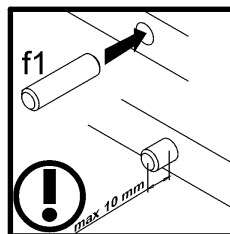
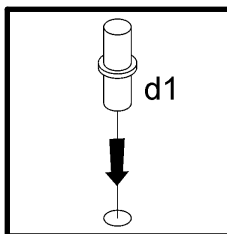
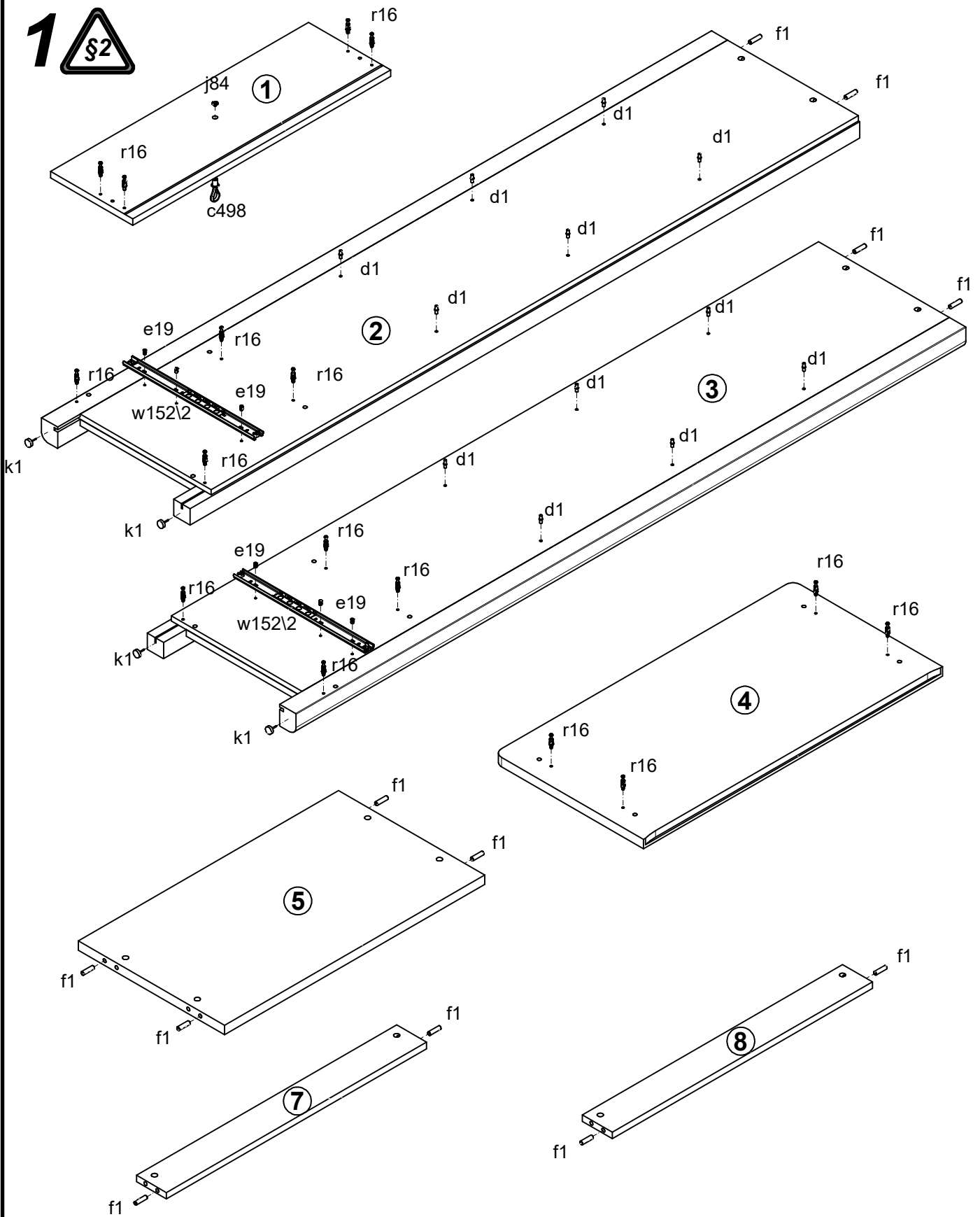


A	B	C	D
1	S401-0005	690	220 3/3
2	S401-1005	1792	398 2/3
3	S401-1006	1792	398 2/3
4	S401-2003	800	400 1/3
5	S401-3003	696	391 1/3
6	S401-3004	695	391 1/3
7	S401-4004	696	80 1/3
8	S401-4006	696	80 1/3
9	S401-9003	660	357 1/3
10	S401-9303	1744	718 2/3
11	ZK3-5005	650	97 1/3
12	ZK3-519	350	110 1/3
13	ZK3-520	350	110 1/3

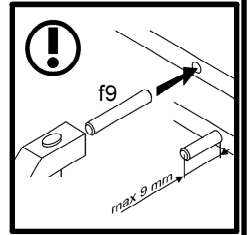
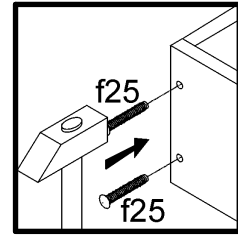
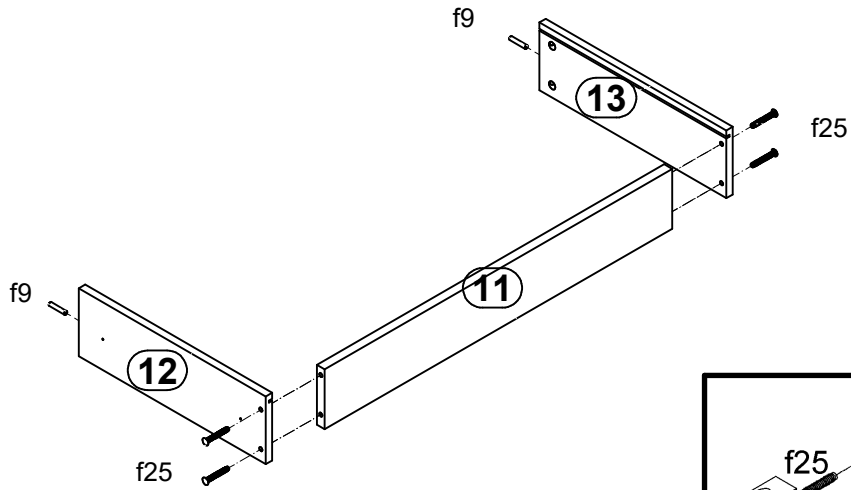


1x c498	12x d1 Ø5x17 mm	6x e19 Ø5x9 mm	12x f1 Ø8x30 mm	4x f25 Ø6.5x40 mm	2x f9 Ø6x30 mm	1x j84 M4x5 mm	4x k1	55x l1 1.4x20 mm
6x p140 Ø3.5x12 mm	1x p25 Ø3.5x16 mm	1x p35 Ø3.5x10 mm	5x p38 Ø3.5x16 mm	16x r15 Ø12x10.5 mm #12	16x r16 20/9	1x t35 350 mm	2x w152/1 350/580 mm	2x w152/2 350/580 mm
4x s34 Ø12	1x n26							

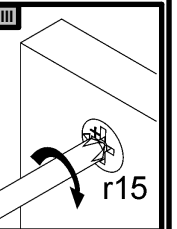
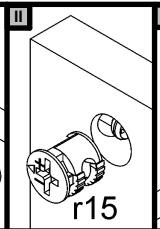
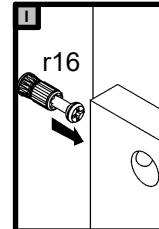
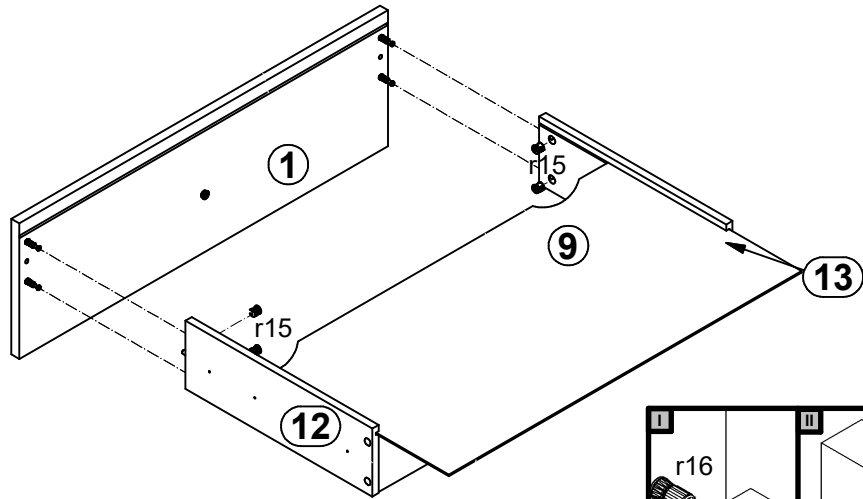
1 



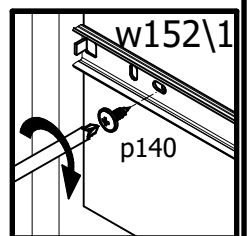
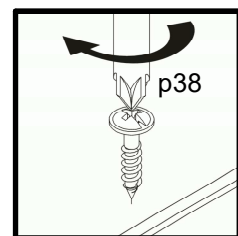
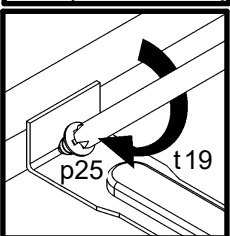
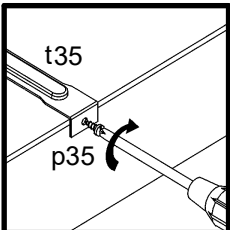
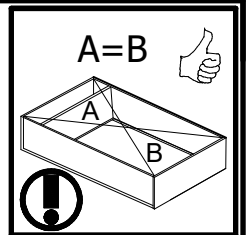
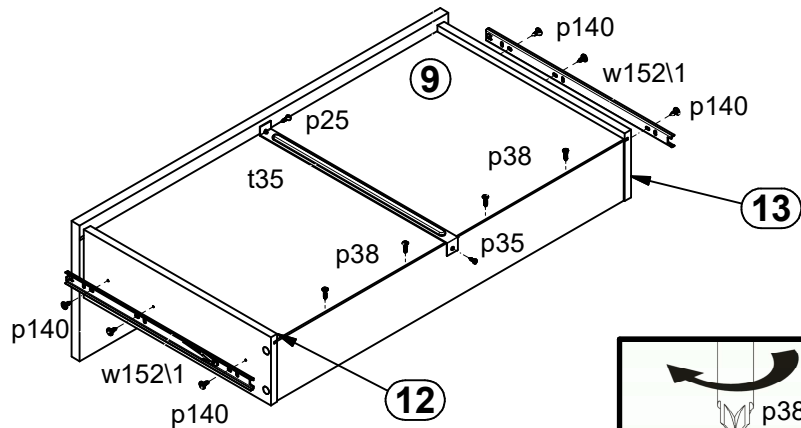
2

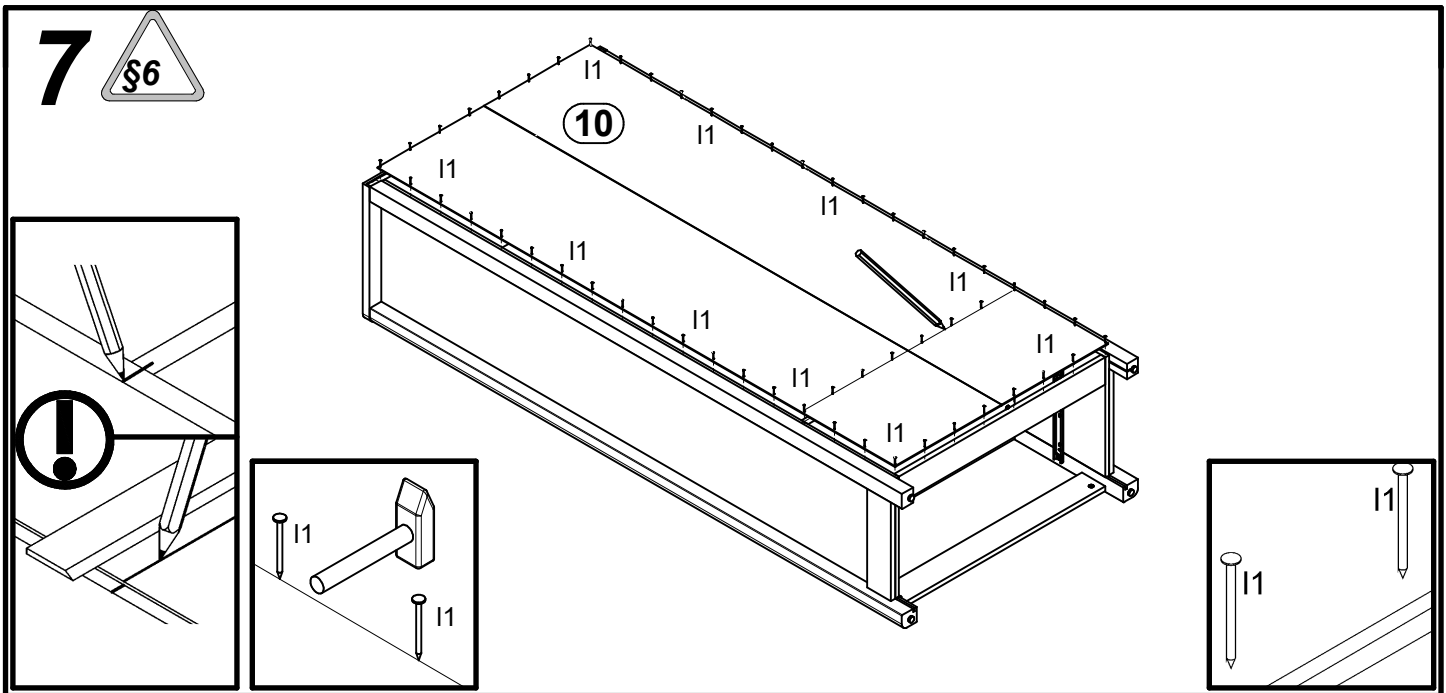
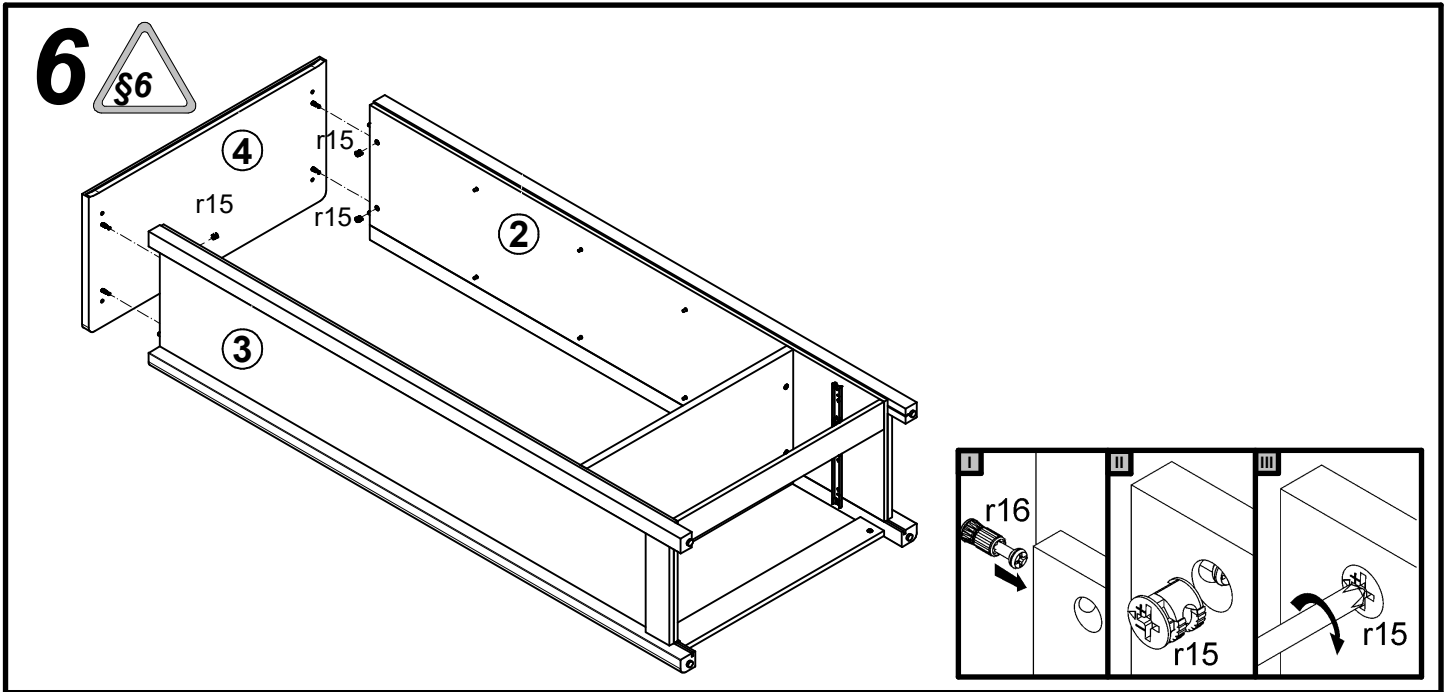
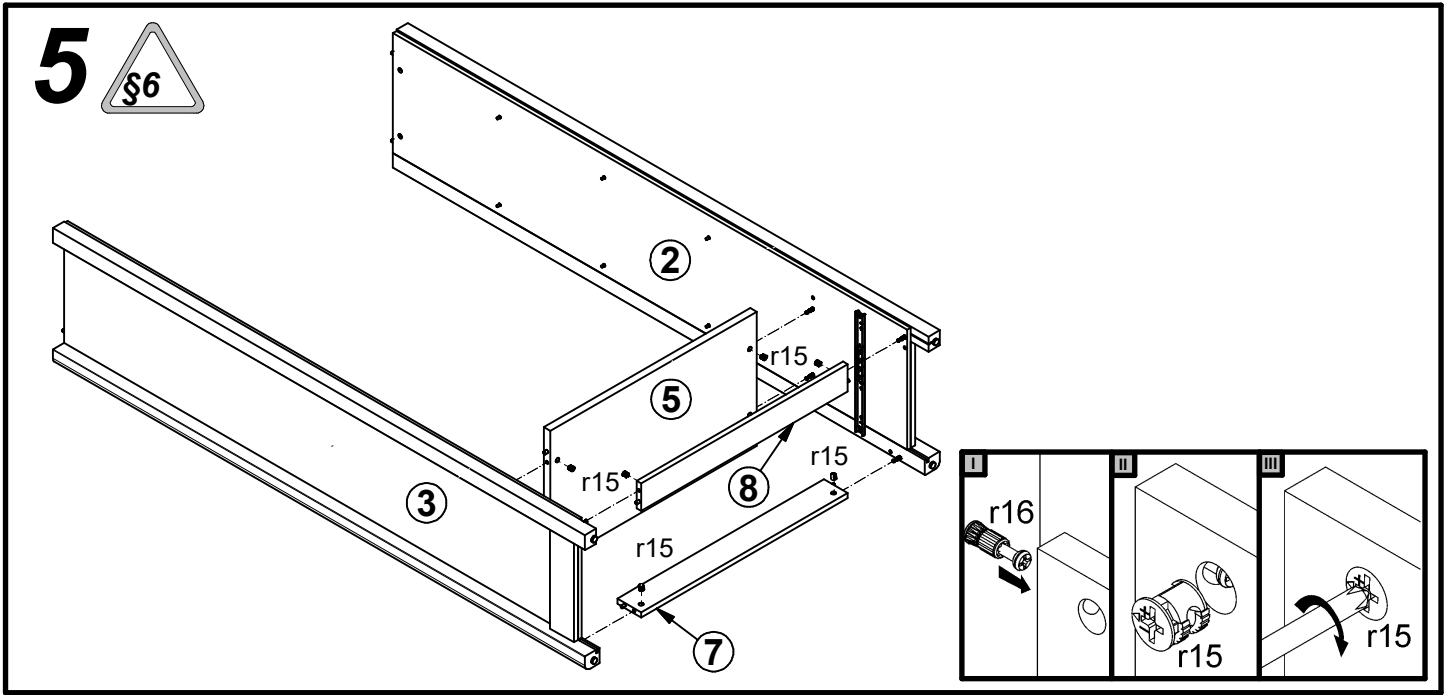


3



4





8

